



Chipsmall Limited consists of a professional team with an average of over 10 year of expertise in the distribution of electronic components. Based in Hongkong, we have already established firm and mutual-benefit business relationships with customers from,Europe,America and south Asia,supplying obsolete and hard-to-find components to meet their specific needs.

With the principle of “Quality Parts,Customers Priority,Honest Operation,and Considerate Service”,our business mainly focus on the distribution of electronic components. Line cards we deal with include Microchip,ALPS,ROHM,Xilinx,Pulse,ON,Everlight and Freescale. Main products comprise IC,Modules,Potentiometer,IC Socket,Relay,Connector.Our parts cover such applications as commercial,industrial, and automotives areas.

We are looking forward to setting up business relationship with you and hope to provide you with the best service and solution. Let us make a better world for our industry!



Contact us

Tel: +86-755-8981 8866 Fax: +86-755-8427 6832

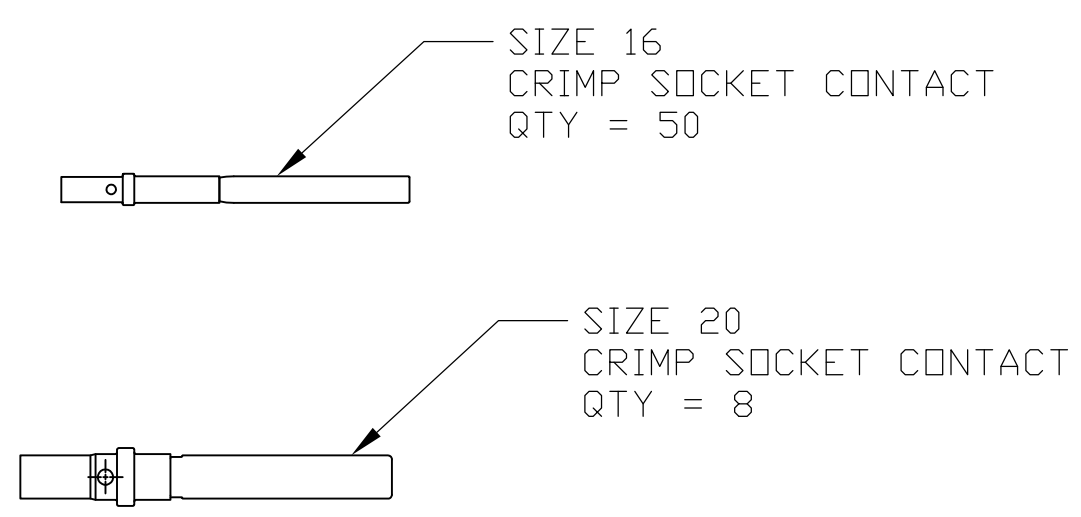
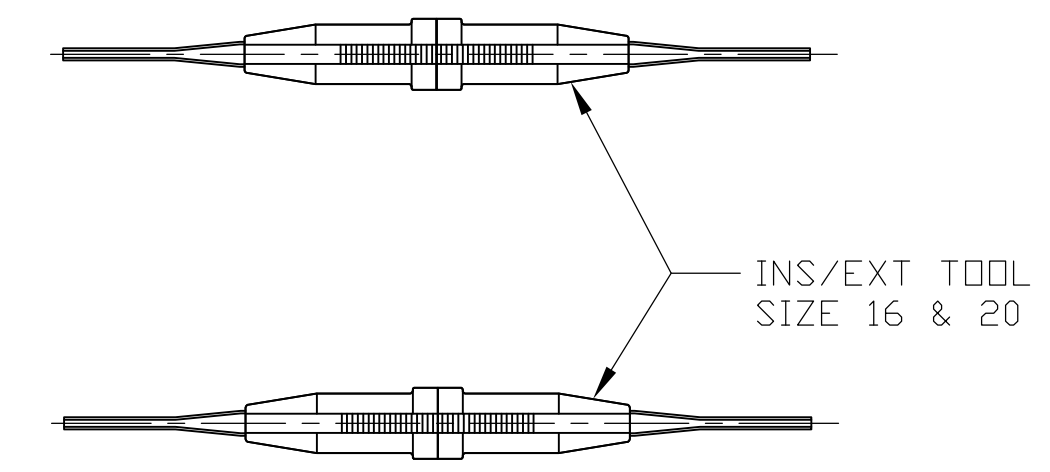
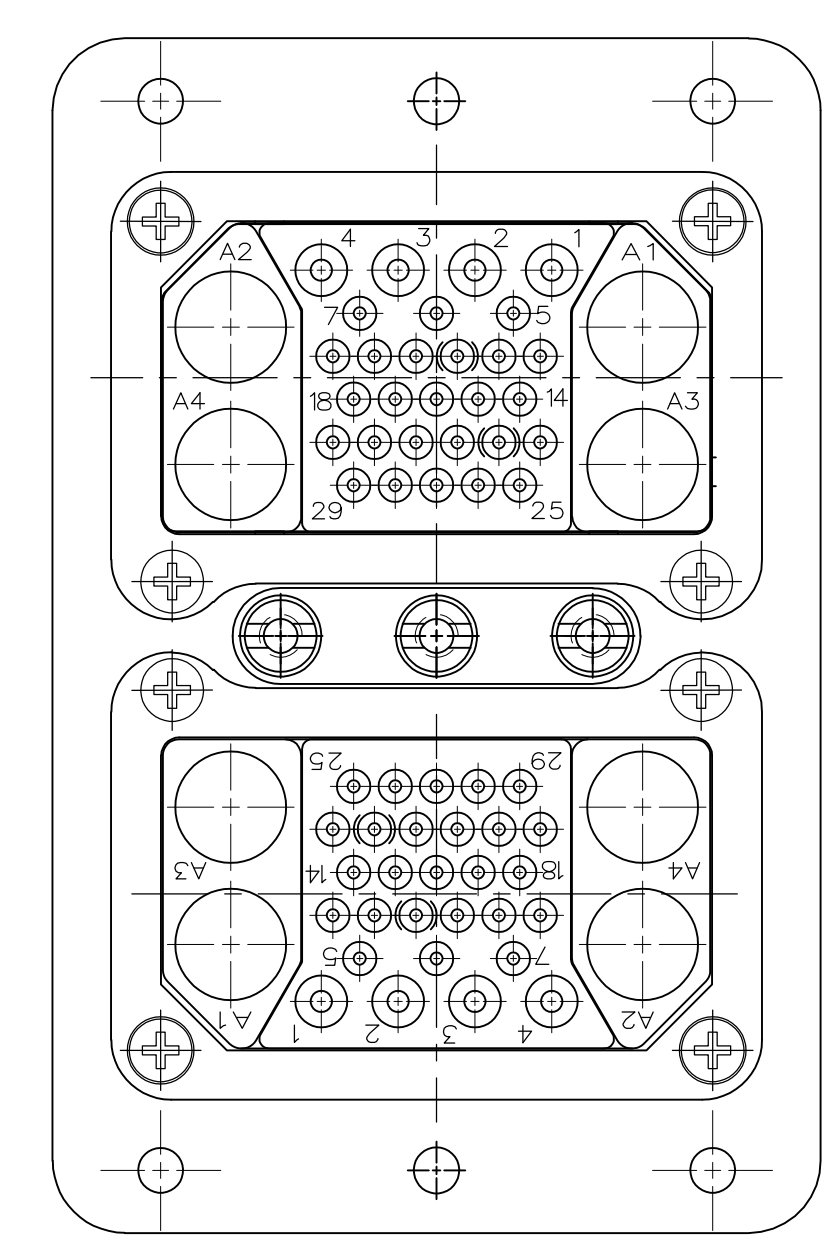
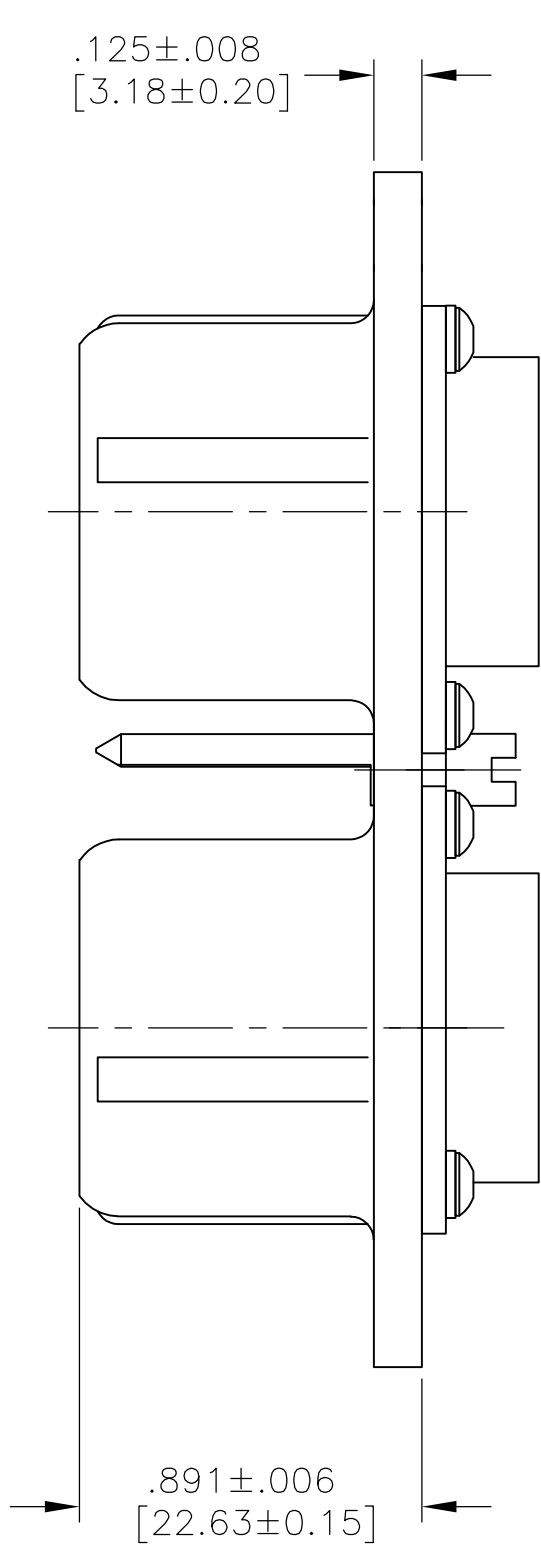
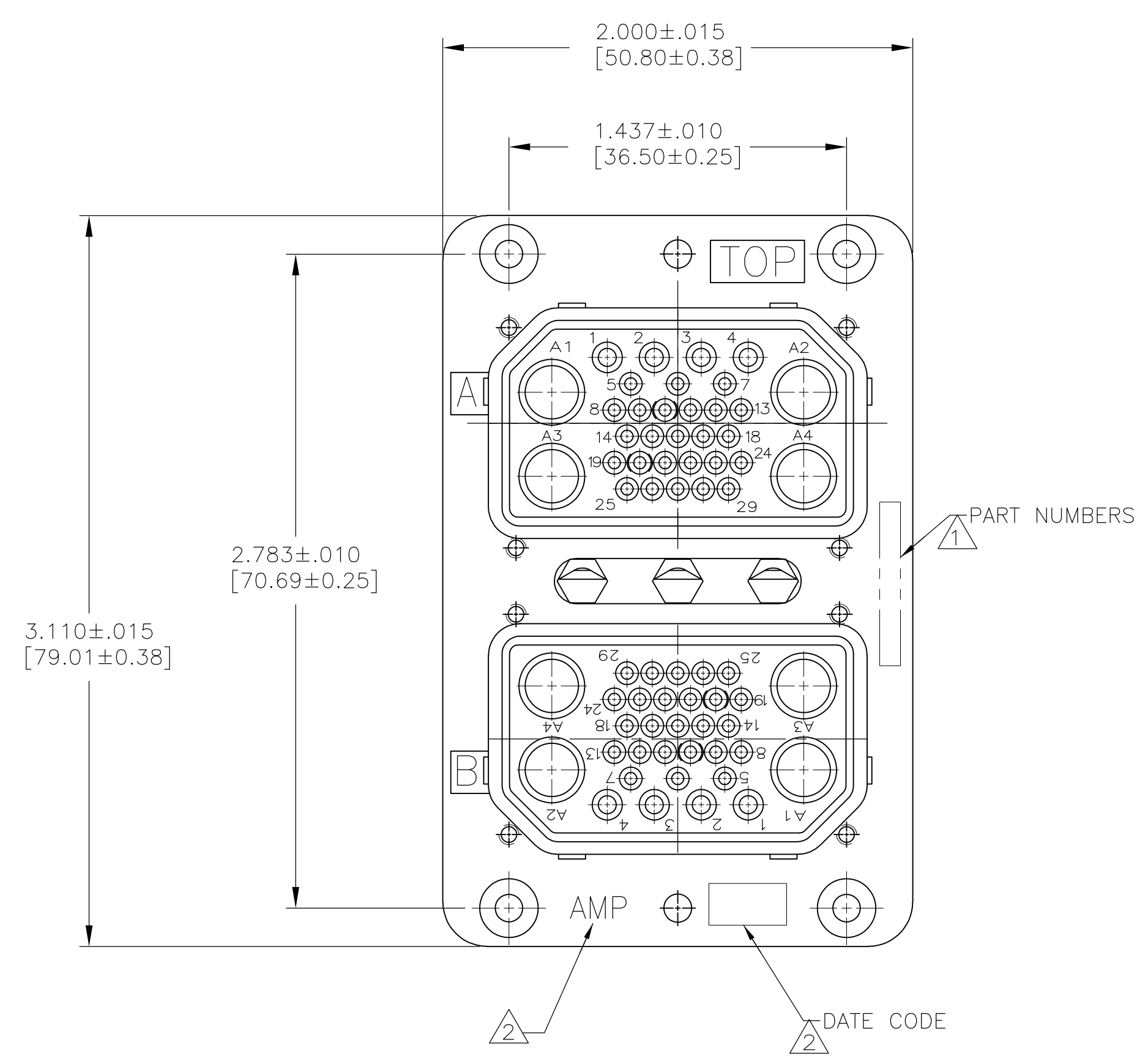
Email & Skype: info@chipsmall.com Web: www.chipsmall.com

Address: A1208, Overseas Decoration Building, #122 Zhenhua RD., Futian, Shenzhen, China



LOC		DIST		REVISIONS			
P	LTR	DESCRIPTION	DATE	DNW	APVD		
A		RELEASED	3-13-14	CT	DE		

1. TE PART NO. AND DESCRIPTIVE PART NO. MARKED IN THESE AREAS.
2. "AMP" AND DATE CODE MARKED IN THIS AREA.
3. KEYING ASSEMBLED IN THE "01" POSITION.
4. MATERIAL AND FINISH:
SHELL: DIE CAST ALUMINUM ALLOY PER SPEC QQ-A-591.
STANDARD FINISH: CADMIUM PLATE PER QQ-P-416, TYPE I, CLASS 2 YELLOW CHROMATE CONVERSION.
INSERT RETENTION PLATE: ALUMINUM ALLOY, BLUE ANODIZE PER MIL-A-8625.
SCREWS AND WASHERS: STAINLESS STEEL, PASSIVATED.
POLARIZING POSTS: STAINLESS STEEL, PASSIVATED.
POLARIZING NUTS: BRASS, CADMIUM PLATED.



1218528-1
PART NUMBER

THIS DRAWING IS A CONTROLLED DOCUMENT.		DNW C.C.THOMAS 3-13-14	TE Connectivity	
DIMENSIONS: INCHES [MM]		CHK D.FABY 3-13-14	NAME ASSY,ARINC 404,RM2P33C4S33C4S-0001 (200)	
TOLERANCES UNLESS OTHERWISE SPECIFIED:		APVD D.FABY 3-13-14	PRODUCT SPEC	
0. PLC ± -		APPLICATION SPEC		
1. PLC ± -		SIZE		
2. PLC ± -		CAGE CODE		
3. PLC ± .005 [0.13]		DRAWING NO		
4. PLC ± -		RESTRICTED TO		
ANGLES ± -		WEIGHT		
MATERIAL		A1 00779		
FINISH		C=1218528		
CUSTOMER DRAWING		SCALE 2:1 SHEET 1 OF 1 REV A		