



Chipsmall Limited consists of a professional team with an average of over 10 year of expertise in the distribution of electronic components. Based in Hongkong, we have already established firm and mutual-benefit business relationships with customers from,Europe,America and south Asia,supplying obsolete and hard-to-find components to meet their specific needs.

With the principle of “Quality Parts,Customers Priority,Honest Operation,and Considerate Service”,our business mainly focus on the distribution of electronic components. Line cards we deal with include Microchip,ALPS,ROHM,Xilinx,Pulse,ON,Everlight and Freescale. Main products comprise IC,Modules,Potentiometer,IC Socket,Relay,Connector.Our parts cover such applications as commercial,industrial, and automotives areas.

We are looking forward to setting up business relationship with you and hope to provide you with the best service and solution. Let us make a better world for our industry!



## Contact us

Tel: +86-755-8981 8866 Fax: +86-755-8427 6832

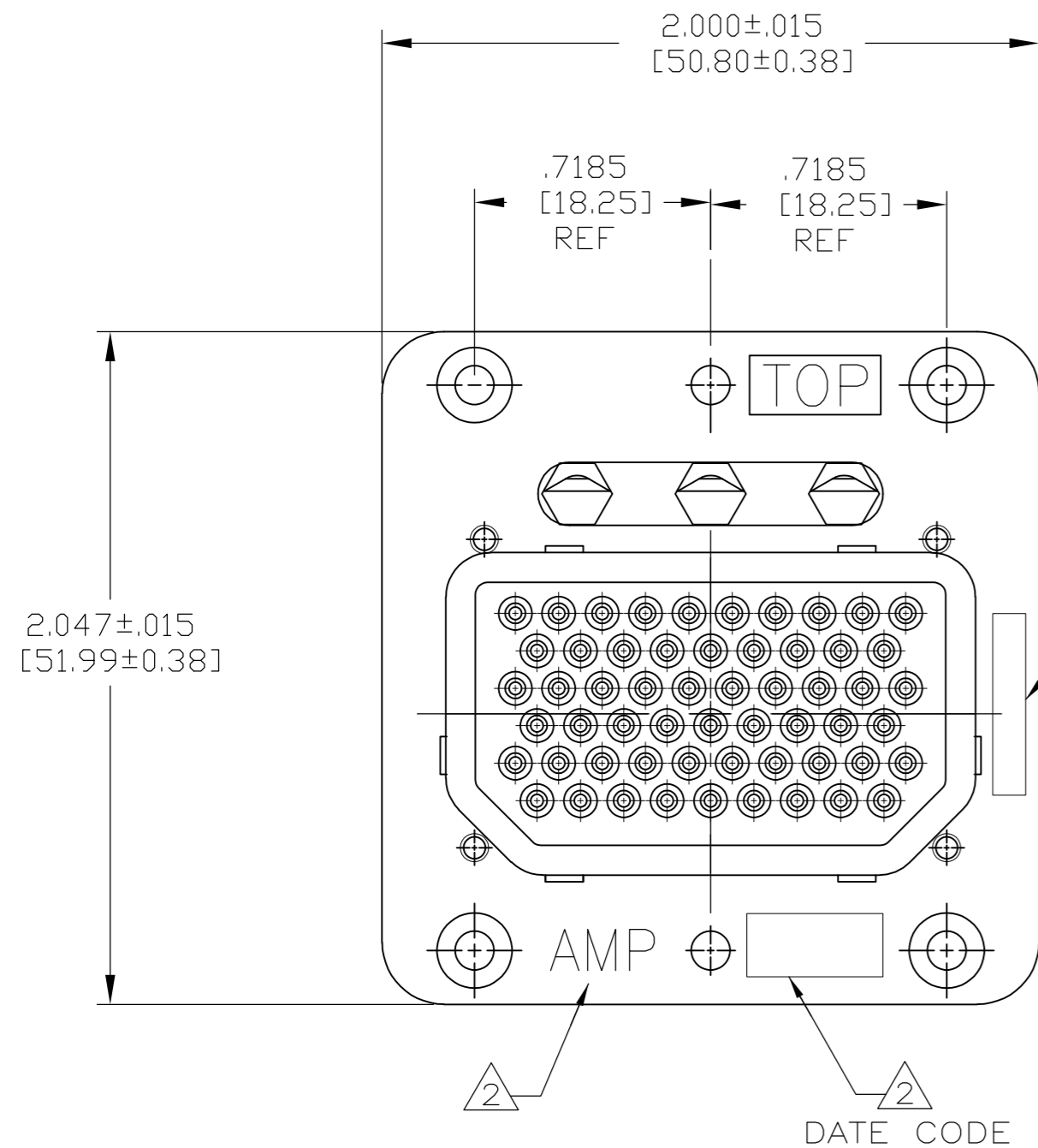
Email & Skype: info@chipsmall.com Web: www.chipsmall.com

Address: A1208, Overseas Decoration Building, #122 Zhenhua RD., Futian, Shenzhen, China

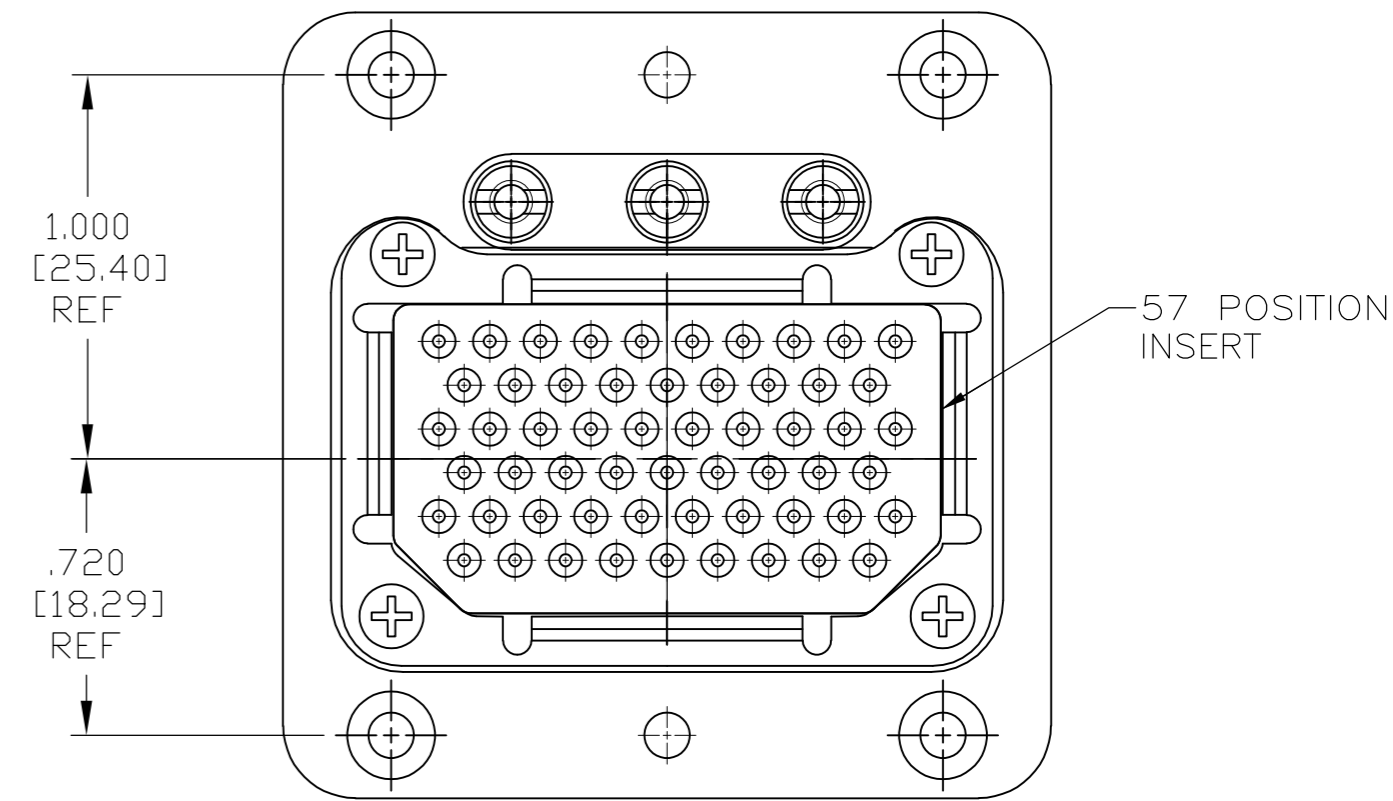
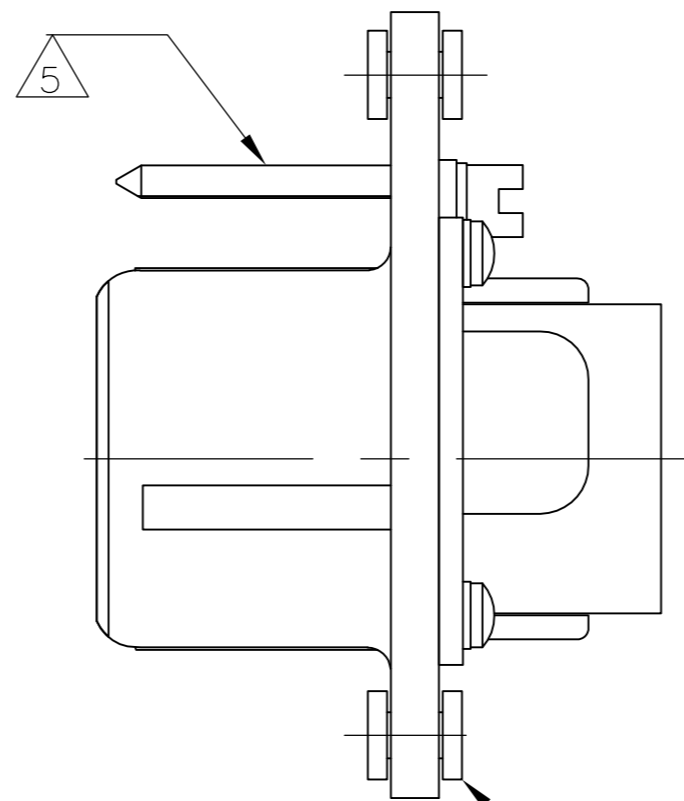


THIS DRAWING IS UNPUBLISHED. RELEASED FOR PUBLICATION  
 © COPYRIGHT - By - ALL RIGHTS RESERVED.

LOC		DIST		REVISIONS			
P	LTR	DESCRIPTION		DATE	DWN	APVD	
-	-	C		REVISED PER ECO-15-011840	17NOV15	RS	CT



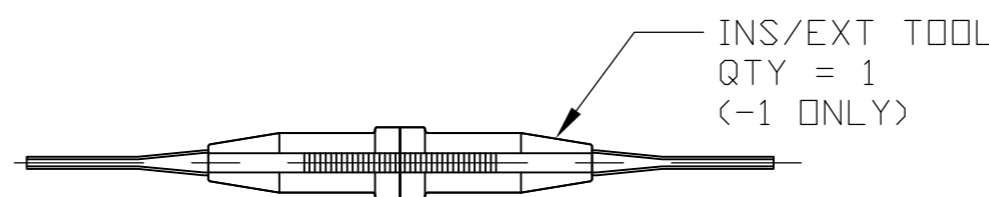
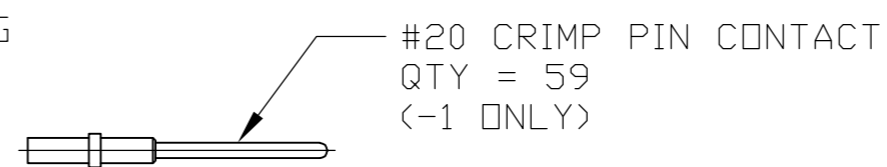
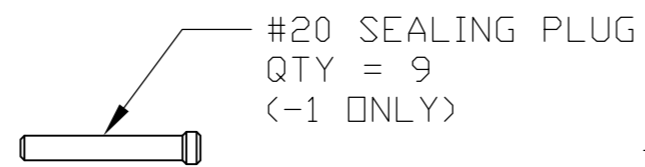
1 DESCRIPTIVE AND TE PART NUMBER



FLOAT BUSHINGS INSTALLED ON -1 ONLY

1218638-1 SHOWN

- 1 TE PART NO. AND DESCRIPTIVE PART NO. MARKED IS THIS AREA.
- 2 "AMP" AND DATE CODE MARKED IN THIS AREA.
- 3. KEYING ASSEMBLED IN THE "01" POSITION.
- 4. MATERIAL AND FINISH:  
 SHELL: DIE CAST ALUMINUM ALLOY PER SPEC QQ-A-591.  
 STANDARD FINISH: CADMIUM PLATE PER QQ-P-416, TYPE I, CLASS 2 YELLOW CHROMATE CONVERSION.  
 INSERT RETENTION PLATE: ALUMINUM ALLOY, BLUE ANODIZE PER MIL-A-8625.  
 SCREWS AND WASHERS: STAINLESS STEEL, PASSIVATED.  
 POLARIZING POSTS: STAINLESS STEEL, PASSIVATED.  
 POLARIZING NUTS: BRASS, CADMIUM PLATED.
- 5 KEYING POSTS NOT ASSEMBLED AND PACKAGED SEPARATELY. (-2 & -3)
- 6 1218638-2 SUPPLIED WITH 59 SIZE 20 SOCKET CONTACTS.
- 7 1218638-3 SUPPLIED WITH 66 SIZE 20 SOCKET CONTACTS.



OBsolete	5 7	M1P67S-00 (206)	1218638-3
OBsolete	5 6	M1P57S-00 (206)	1218638-2
		MME1P57P-2301 (204)	1218638-1
REMARKS		DESCRIPTIVE NO.	PART NO.

THIS DRAWING IS A CONTROLLED DOCUMENT.		DWN	3-13-14	TE Connectivity	
DIMENSIONS: INCHES		CHK	C.C.THOMAS	NAME	
TOLERANCES UNLESS OTHERWISE SPECIFIED:		APVD	D.EABY	CONNECTOR ASSY,ARINC 404	
0 PLC ± -		PRODUCT SPEC	D.EABY	SIZE	CAGE CODE
1 PLC ± -		APPLICATION SPEC		DRAWING NO	RESTRICTED TO
2 PLC ± -				A2 00779	C=1218638
3 PLC ± -				SCALE	SHEET
4 PLC ± -				2:1	1 of 1
ANGLES ± -				REV	C
FINISH				CUSTOMER DRAWING	