



Chipsmall Limited consists of a professional team with an average of over 10 year of expertise in the distribution of electronic components. Based in Hongkong, we have already established firm and mutual-benefit business relationships with customers from,Europe,America and south Asia,supplying obsolete and hard-to-find components to meet their specific needs.

With the principle of “Quality Parts,Customers Priority,Honest Operation,and Considerate Service”,our business mainly focus on the distribution of electronic components. Line cards we deal with include Microchip,ALPS,ROHM,Xilinx,Pulse,ON,Everlight and Freescale. Main products comprise IC,Modules,Potentiometer,IC Socket,Relay,Connector.Our parts cover such applications as commercial,industrial, and automotives areas.

We are looking forward to setting up business relationship with you and hope to provide you with the best service and solution. Let us make a better world for our industry!



Contact us

Tel: +86-755-8981 8866 Fax: +86-755-8427 6832

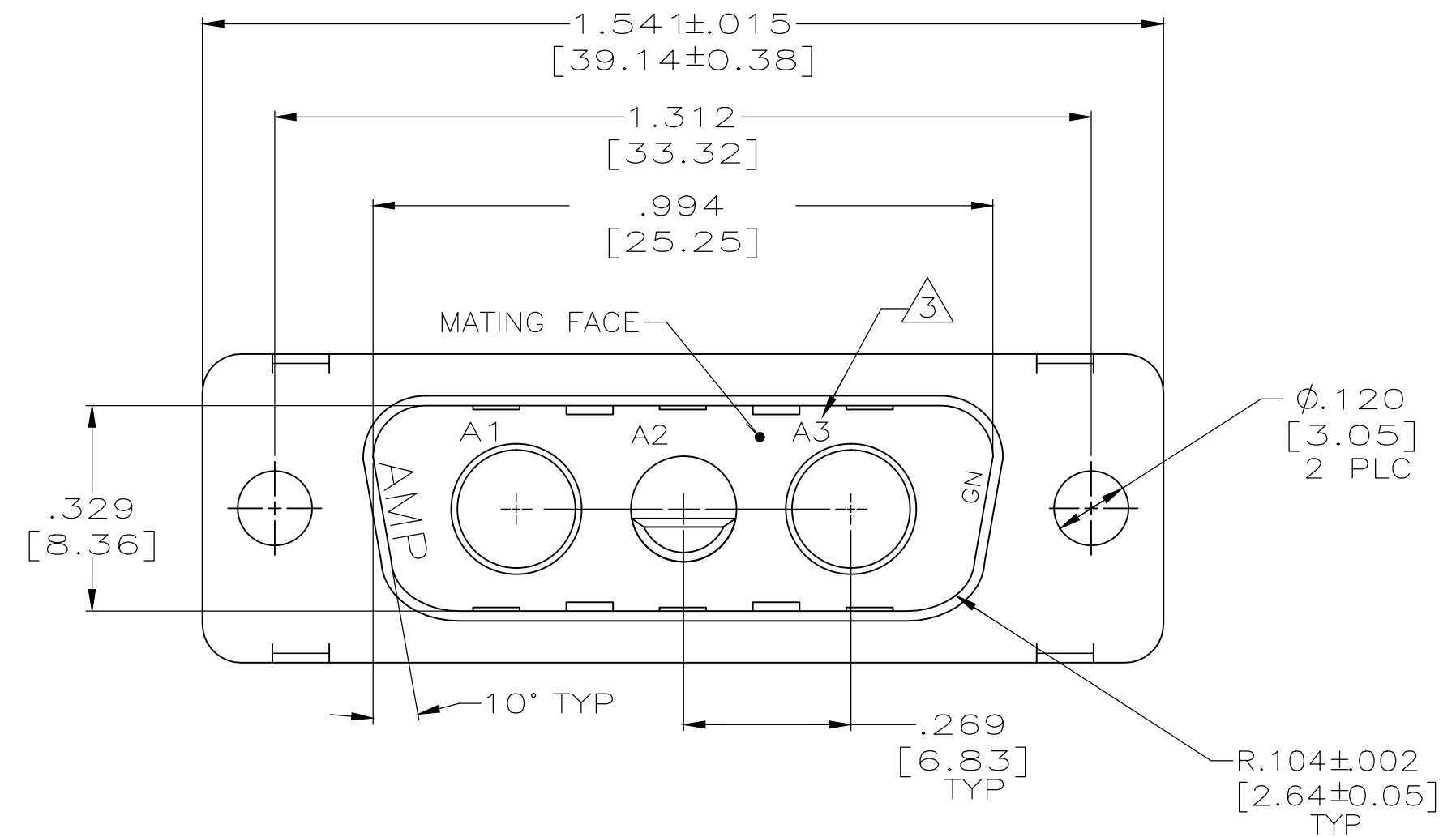
Email & Skype: info@chipsmall.com Web: www.chipsmall.com

Address: A1208, Overseas Decoration Building, #122 Zhenhua RD., Futian, Shenzhen, China

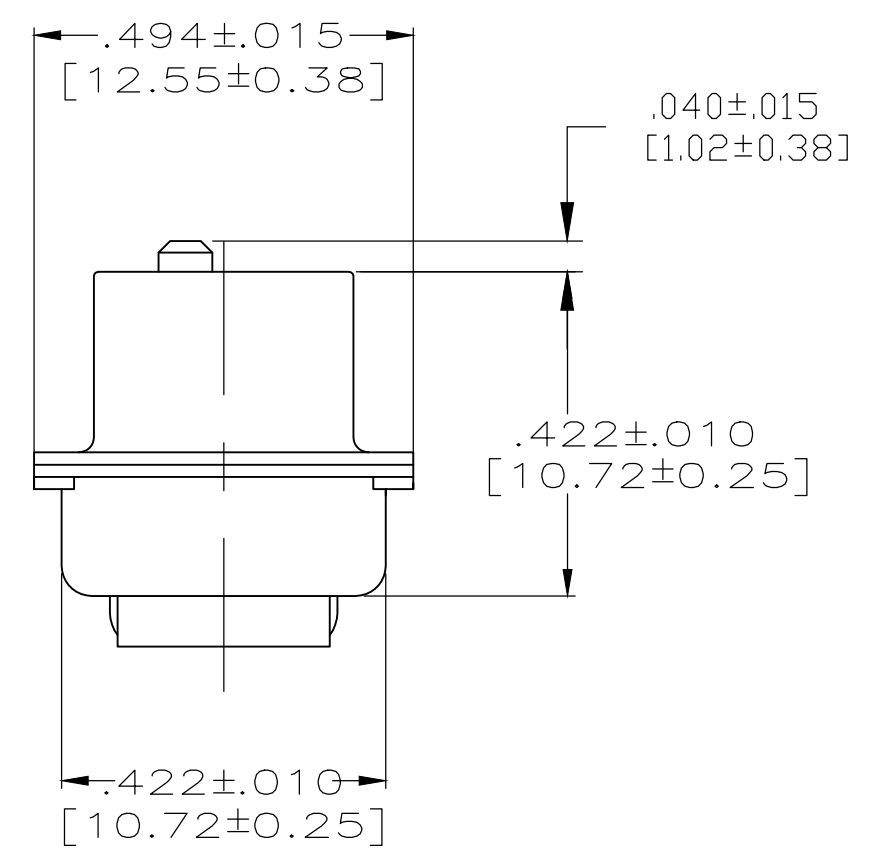
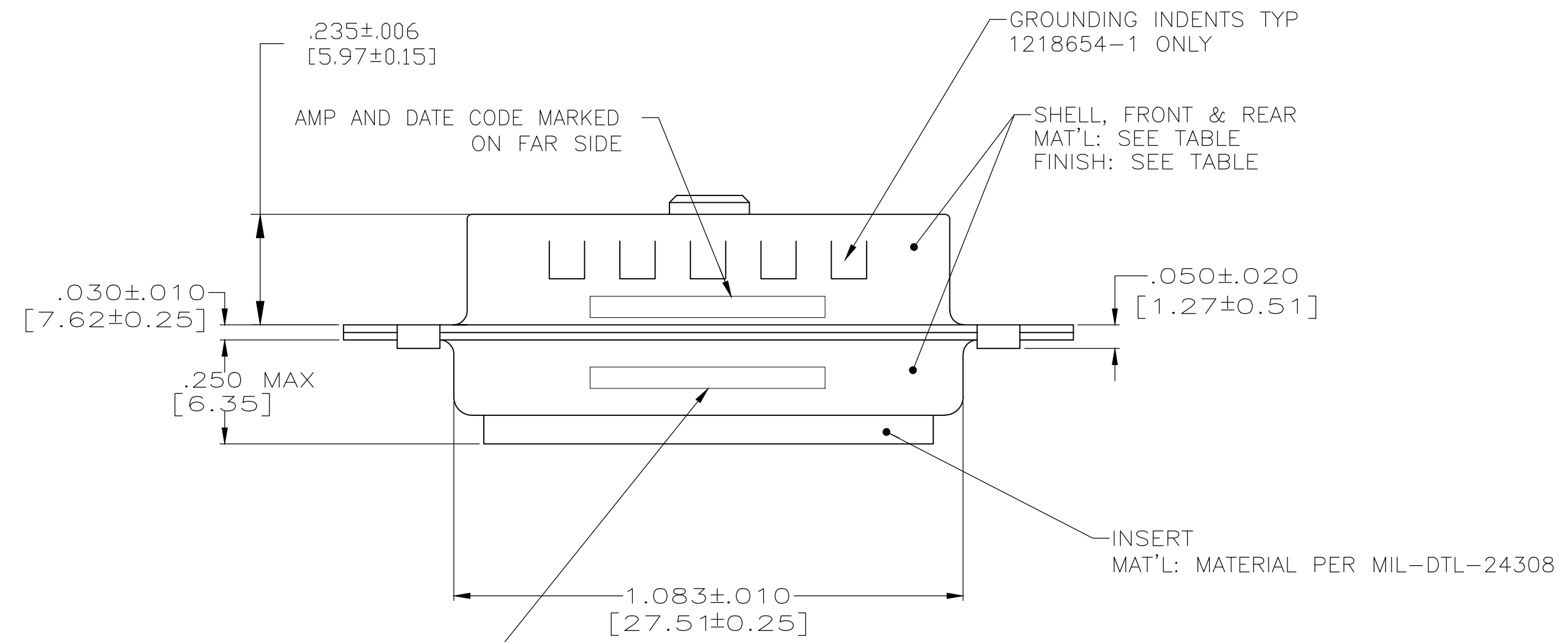


THIS DRAWING IS UNPUBLISHED. RELEASED FOR PUBLICATION
 © COPYRIGHT - By - ALL RIGHTS RESERVED.

LOC	DIST	REVISIONS					
DF	DO	P	LTR	DESCRIPTION	DATE	DWN	APVD
		E		REVISED PER ECO-15-005922	27-May-15	MGM	CT



1. THIS PLUG WILL ONLY MATE WITH AMP PART NO. 1218655-3.
 2. THIS CONNECTOR ACCEPTS 2 POWER 8 OR COAX SOCKET CONTACTS IN POSITIONS A1 & A3. PURCHASED SEPARATELY.
- ⚠ RAISED NUMBERS FOR IDENTIFICATION OF CIRCUIT HOLES.



AMP PART NUMBER MARKED ON FAR SIDE
 CUSTOMER PART NUMBER MARKED ON NEAR SIDE

B010942-0049	GOLD PER ASTM-B-488 OVER COPPER FLASH PER MIL-C-14550	BRASS PER ASTM B 36	1218654-2
OBSOLETE	TIN PER ASTM B545	STEEL PER ASTM A109	1218654-1
CUSTOMER PART NO	FINISH	MATERIAL	PART NO.

THIS DRAWING IS A CONTROLLED DOCUMENT.		DWN 27-May-15 MANJUNATH G M	TE Connectivity																			
DIMENSIONS: INCHES [MM]		CHK 27-May-15 CHARLES THOMAS																				
TOLERANCES UNLESS OTHERWISE SPECIFIED:		APVD 27-May-15 CHARLES THOMAS	NAME PLUG ASSEMBLY, COAX 2C2 KEYED SERIES 109, SIZE 2, AMPLIMITE																			
<table border="1"> <tr><td>0 PLC</td><td>±</td><td>-</td></tr> <tr><td>1 PLC</td><td>±</td><td>-</td></tr> <tr><td>2 PLC</td><td>±</td><td>-</td></tr> <tr><td>3 PLC</td><td>±</td><td>.005 [0.13]</td></tr> <tr><td>4 PLC</td><td>±</td><td>-</td></tr> <tr><td>ANGLES</td><td>±</td><td>0° 30'</td></tr> </table>		0 PLC	±	-	1 PLC	±	-	2 PLC	±	-	3 PLC	±	.005 [0.13]	4 PLC	±	-	ANGLES	±	0° 30'	PRODUCT SPEC	SIZE CAGE CODE DRAWING NO RESTRICTED TO	
0 PLC	±	-																				
1 PLC	±	-																				
2 PLC	±	-																				
3 PLC	±	.005 [0.13]																				
4 PLC	±	-																				
ANGLES	±	0° 30'																				
MATERIAL SEE CALLOUTS		FINISH SEE CALLOUTS	WEIGHT -	A2 00779 C-1218654																		
CUSTOMER DRAWING		SCALE 4:1 SHEET 1 OF 1 REV E																				