



Chipsmall Limited consists of a professional team with an average of over 10 year of expertise in the distribution of electronic components. Based in Hongkong, we have already established firm and mutual-benefit business relationships with customers from,Europe,America and south Asia,supplying obsolete and hard-to-find components to meet their specific needs.

With the principle of “Quality Parts,Customers Priority,Honest Operation,and Considerate Service”,our business mainly focus on the distribution of electronic components. Line cards we deal with include Microchip,ALPS,ROHM,Xilinx,Pulse,ON,Everlight and Freescale. Main products comprise IC,Modules,Potentiometer,IC Socket,Relay,Connector.Our parts cover such applications as commercial,industrial, and automotives areas.

We are looking forward to setting up business relationship with you and hope to provide you with the best service and solution. Let us make a better world for our industry!



## Contact us

Tel: +86-755-8981 8866 Fax: +86-755-8427 6832

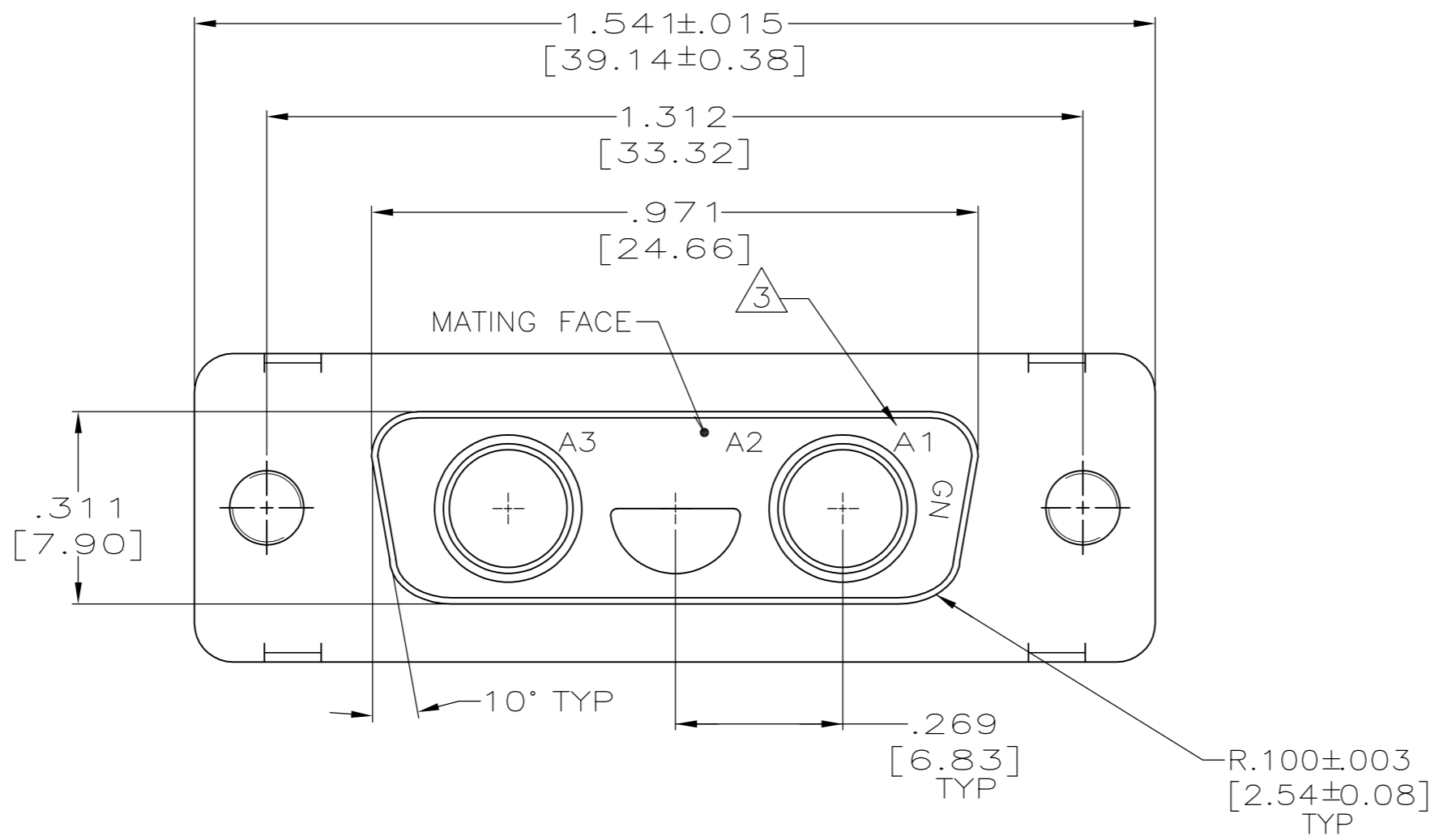
Email & Skype: info@chipsmall.com Web: www.chipsmall.com

Address: A1208, Overseas Decoration Building, #122 Zhenhua RD., Futian, Shenzhen, China

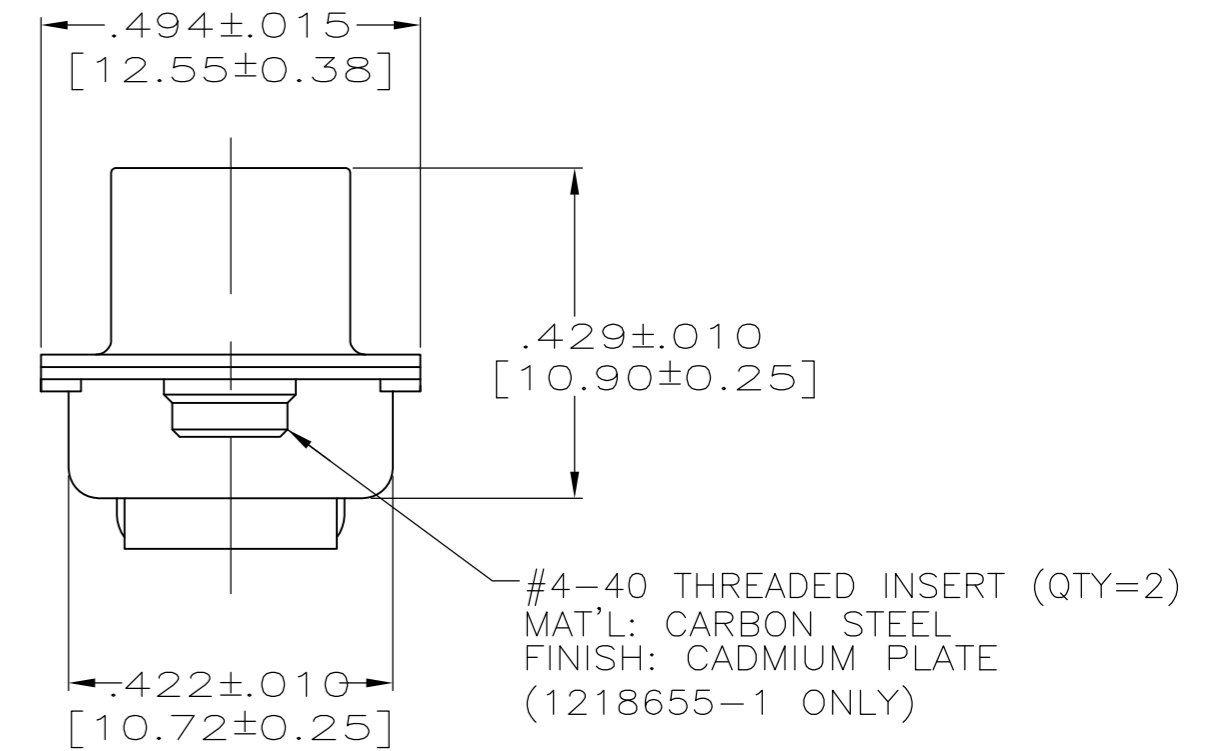
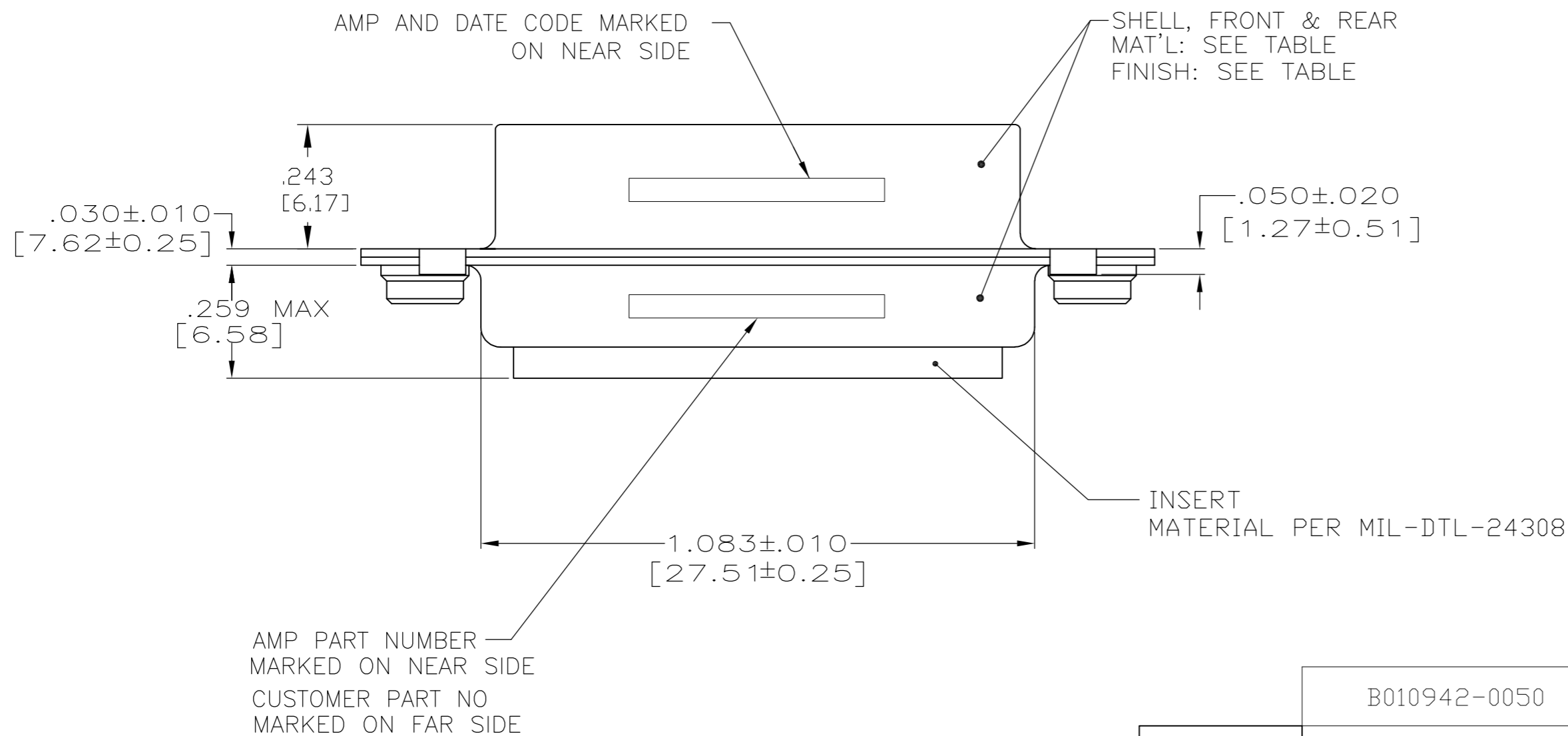


THIS DRAWING IS UNPUBLISHED. RELEASED FOR PUBLICATION  
 © COPYRIGHT - By - ALL RIGHTS RESERVED.

LOC		DIST		REVISIONS			
P	LTR	DESCRIPTION		DATE	DWN	APVD	
E		REV PER ECO 15-005929		5-12-15	CT	DM	



1. THIS RECEPTACLE WILL ONLY MATE WITH AMP PART NO. 1218654-2.
  2. THIS CONNECTOR ACCEPTS 2 POWER 8 OR COAX SOCKET CONTACTS IN POSITIONS A1 & A3. PURCHASED SEPARATELY.
- ⚠ RAISED NUMBERS FOR IDENTIFICATION OF CIRCUIT HOLES.



B010942-0050	GOLD PER ASTM-B-488 OVER COPPER FLASH PER MIL-C-14550	BRASS PER ASTM B 36	1218655-3
OBSOLETE	TIN PER ASTM B545	STEEL PER ASTM A109	1218655-1
CUSTOMER PART NO.	FINISH	MATERIAL	PART NO.

THIS DRAWING IS A CONTROLLED DOCUMENT.		DWN	C.C.THOMAS	2-3-00		TE Connectivity				
DIMENSIONS: INCHES		CHK	D.MILLER	2-3-00		NAME				
TOLERANCES UNLESS OTHERWISE SPECIFIED:		APVD	D.MILLER	2-3-00		RCPT. ASSEMBLY, COAX 2C2 KEYED SERIES 109, SIZE 2, AMPLIMITE				
0 PLC ± - 1 PLC ± - 2 PLC ± - 3 PLC ± .005 [0.13] 4 PLC ± - ANGLES ± 0° 30'		PRODUCT SPEC	-			SIZE	A2			
MATERIAL SEE CALLOUTS		FINISH	SEE CALLOUTS		CAGE CODE	00779	DRAWING NO	C=1218655	RESTRICTED TO	-
RESTRICTED CUSTOMER		WEIGHT	-		SCALE	4:1	SHEET	1 of 1	REV	E