



Chipsmall Limited consists of a professional team with an average of over 10 year of expertise in the distribution of electronic components. Based in Hongkong, we have already established firm and mutual-benefit business relationships with customers from,Europe,America and south Asia,supplying obsolete and hard-to-find components to meet their specific needs.

With the principle of “Quality Parts,Customers Priority,Honest Operation,and Considerate Service”,our business mainly focus on the distribution of electronic components. Line cards we deal with include Microchip,ALPS,ROHM,Xilinx,Pulse,ON,Everlight and Freescale. Main products comprise IC,Modules,Potentiometer,IC Socket,Relay,Connector.Our parts cover such applications as commercial,industrial, and automotives areas.

We are looking forward to setting up business relationship with you and hope to provide you with the best service and solution. Let us make a better world for our industry!



Contact us

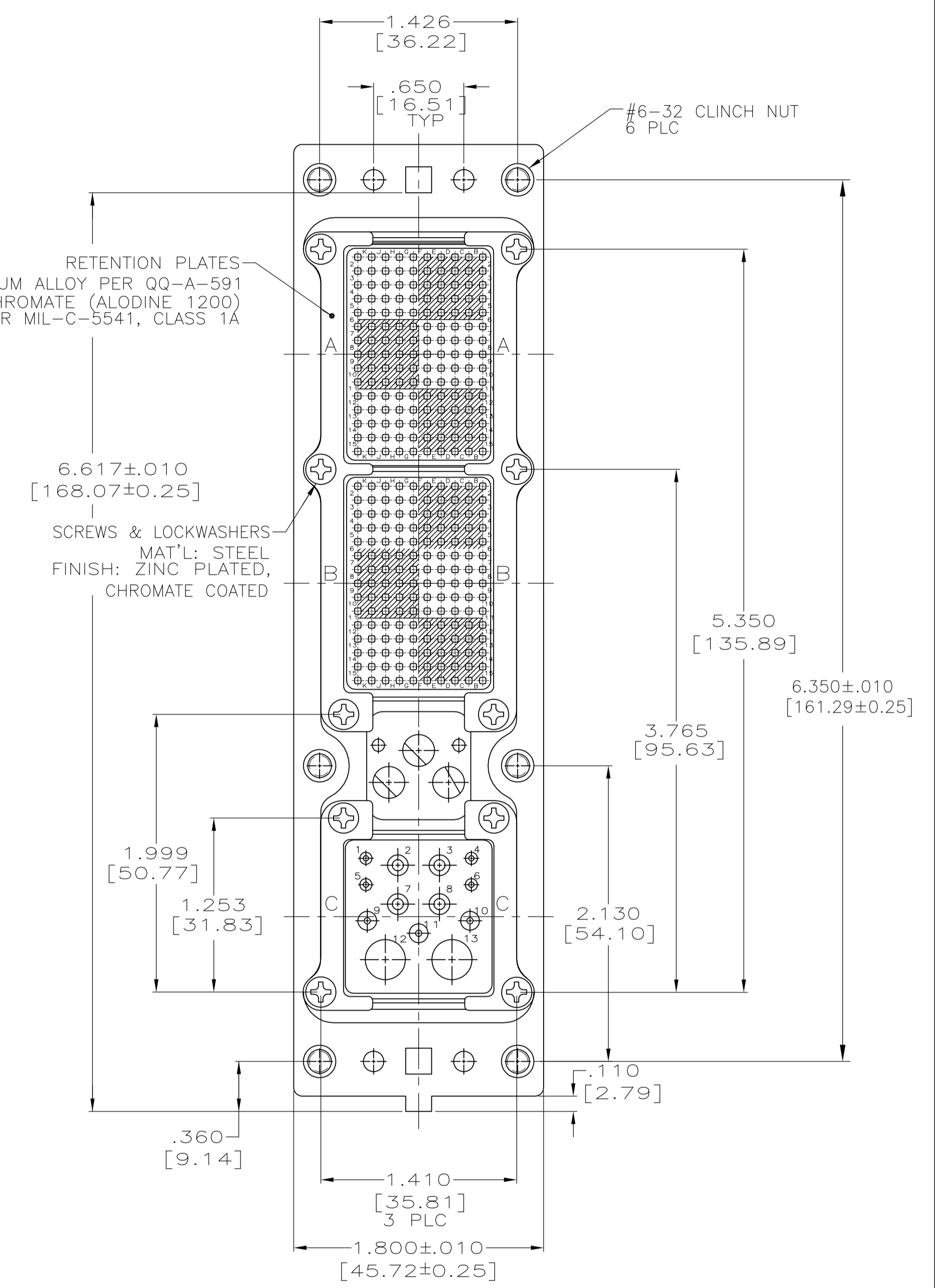
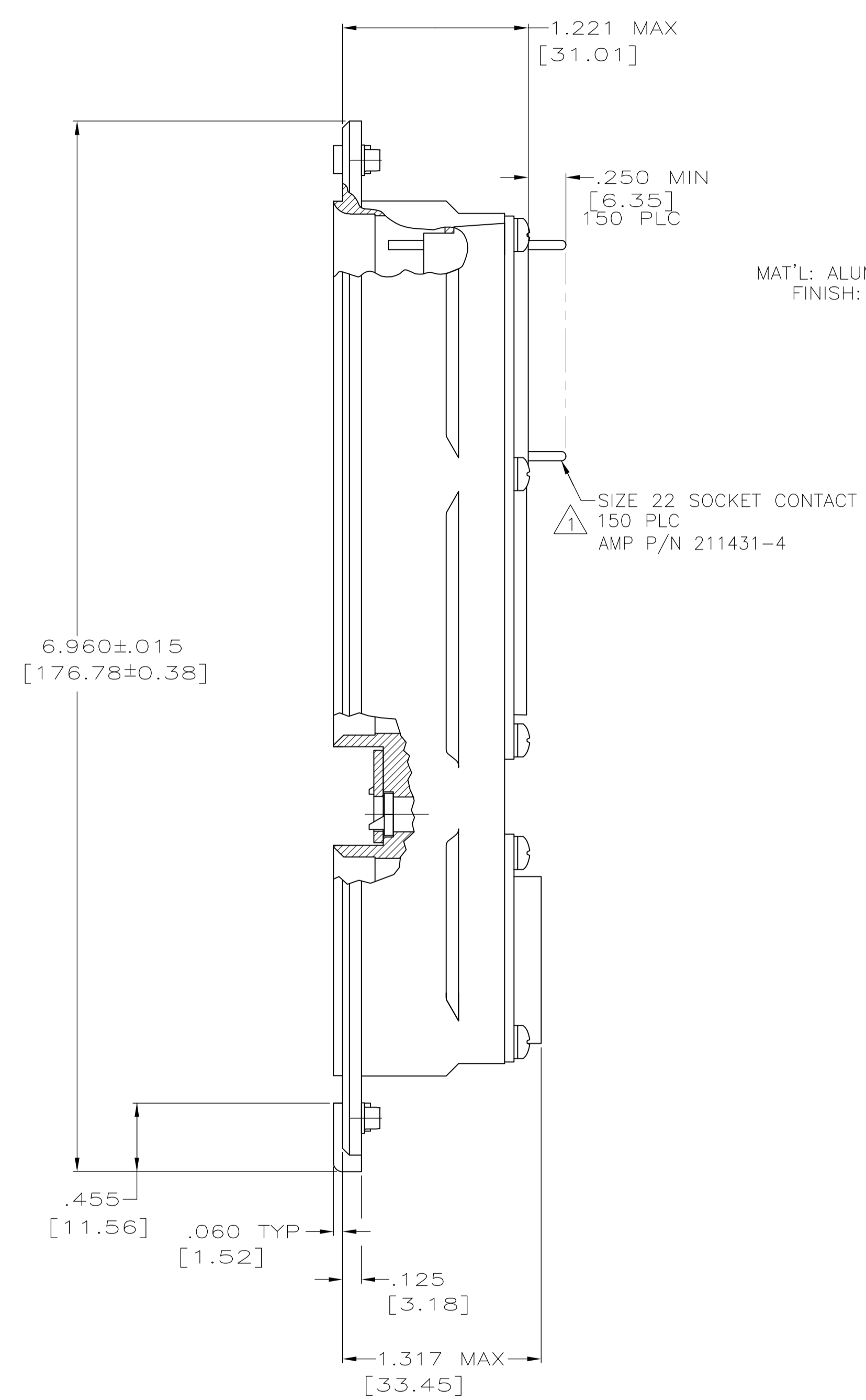
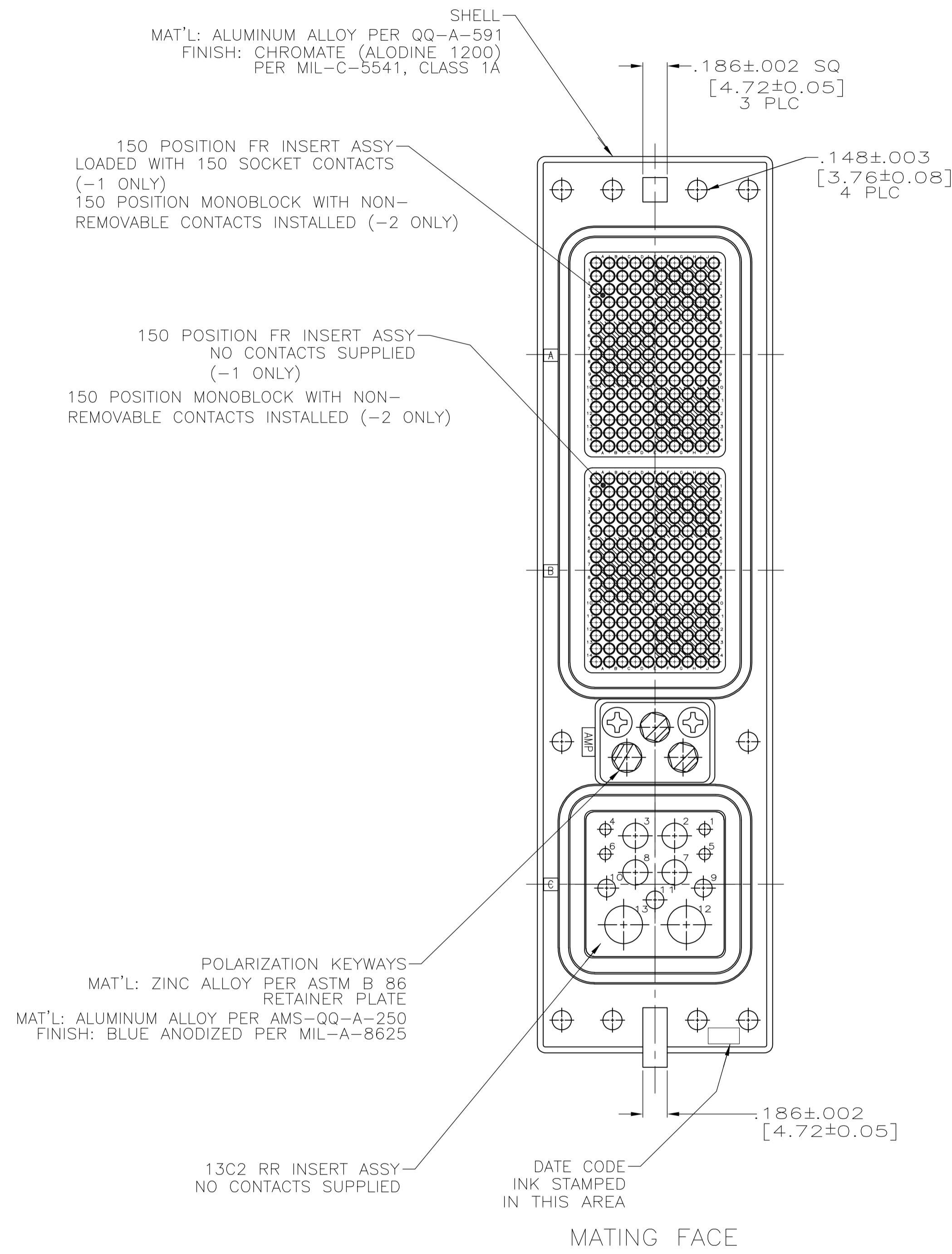
Tel: +86-755-8981 8866 Fax: +86-755-8427 6832

Email & Skype: info@chipsmall.com Web: www.chipsmall.com

Address: A1208, Overseas Decoration Building, #122 Zhenhua RD., Futian, Shenzhen, China



LOC		DIST		REVISIONS			
F	LTR	DESCRIPTION	DATE	DNW	APVD		
E	REV PER ECO	15-002091	2-23-15	CT	WB		

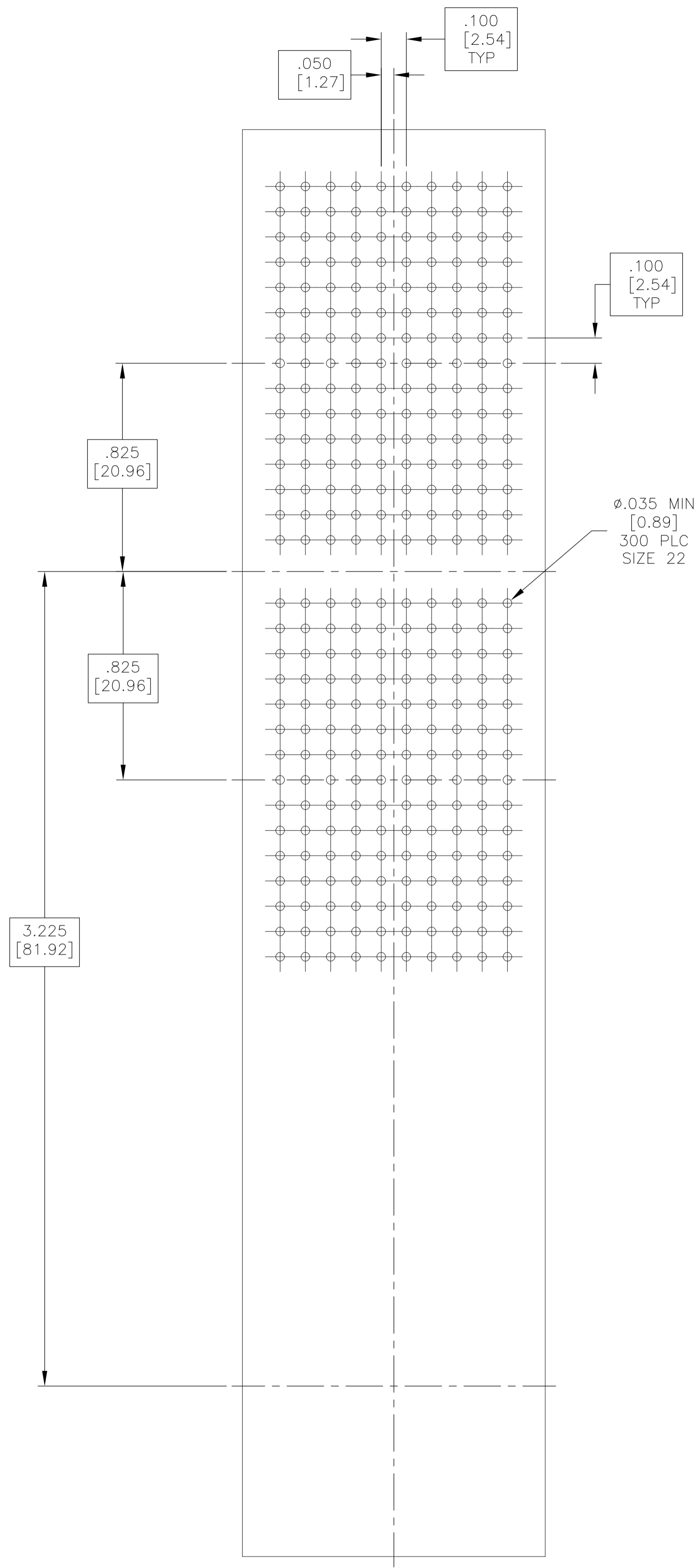


- CONTACTS ARE LOADED IN THE 150 POSITION INSERT IN MODULE "A" ONLY. (-1 ONLY)
ALL OTHER CONTACTS ARE NOT SUPPLIED AND MUST BE ORDERED SEPARATELY.
- POLARIZING KEYS ARE INSTALLED IN POSITION 50.

WITH STAMPED & FORMED NON-REMOVABLE CONTACTS	1218657-2
	1218657-1
REMARKS	PART NO.

THIS DRAWING IS A CONTROLLED DOCUMENT.		DNW C.C.THOMAS 3-15-00	3-15-00	NAME CONNECTOR ASSY, SIZE 2 CLASS (FA), RCPT, ARINC-600												
DIMENSIONS: INCHES		CHK S. GLATFELTER 3-15-00	3-15-00													
TOLERANCES UNLESS OTHERWISE SPECIFIED:		APVD S. GLATFELTER 3-15-00	3-15-00	RESTRICTED TO												
<table border="1"> <tr><td>0 PLC</td><td>± .005</td></tr> <tr><td>1 PLC</td><td>± .005</td></tr> <tr><td>2 PLC</td><td>± .005</td></tr> <tr><td>3 PLC</td><td>± .005 [0.13]</td></tr> <tr><td>4 PLC</td><td>± .005</td></tr> <tr><td>ANGLES</td><td>± .005</td></tr> </table>		0 PLC	± .005	1 PLC	± .005	2 PLC	± .005	3 PLC	± .005 [0.13]	4 PLC	± .005	ANGLES	± .005	PRODUCT SPEC	APPLICATION SPEC	SIZE A1
0 PLC	± .005															
1 PLC	± .005															
2 PLC	± .005															
3 PLC	± .005 [0.13]															
4 PLC	± .005															
ANGLES	± .005															
MATERIAL SEE CALLOUTS		FINISH SEE CALLOUTS	WEIGHT -	CAGE CODE 00779												
CUSTOMER DRAWING		SCALE 3:2	SHEET 1 OF 2	REV E												

LOC		DIST		REVISIONS			
P	LTR	DESCRIPTION	DATE	DNW	APVD		
-	-	SEE SHEET-1	-	-	-	-	-



RECOMMENED P.C.BOARD LAYOUT
 SCALE 3:1

THIS DRAWING IS A CONTROLLED DOCUMENT.		DIN C.C.THOMAS 3-15-00	TE Connectivity	
		CHK S.GLATFELTER 3-15-00		
DIMENSIONS: INCHES		TOLERANCES UNLESS OTHERWISE SPECIFIED:	APVD S.GLATFELTER 3-15-00	NAME
		0. PLC ± - 1. PLC ± - 2. PLC ± - 3. PLC ± .005 [0.13] 4. PLC ± - ANGLES ± - 40° 40'	PRODUCT SPEC	CONNECTOR ASSY, SIZE 2 CLASS (FA), RCPT, ARINC-600
MATERIAL SEE CALLOUTS		FINISH SEE CALLOUTS	APPLICATION SPEC	RESTRICTED TO
		WEIGHT	SIZE A1	CAGE CODE 00779
			DRAWING NO 1218657	REV E
			CUSTOMER DRAWING	SCALE 3:2 SHEET 2 OF 2