



Chipsmall Limited consists of a professional team with an average of over 10 year of expertise in the distribution of electronic components. Based in Hongkong, we have already established firm and mutual-benefit business relationships with customers from,Europe,America and south Asia,supplying obsolete and hard-to-find components to meet their specific needs.

With the principle of “Quality Parts,Customers Priority,Honest Operation,and Considerate Service”,our business mainly focus on the distribution of electronic components. Line cards we deal with include Microchip,ALPS,ROHM,Xilinx,Pulse,ON,Everlight and Freescale. Main products comprise IC,Modules,Potentiometer,IC Socket,Relay,Connector.Our parts cover such applications as commercial,industrial, and automotives areas.

We are looking forward to setting up business relationship with you and hope to provide you with the best service and solution. Let us make a better world for our industry!



Contact us

Tel: +86-755-8981 8866 Fax: +86-755-8427 6832

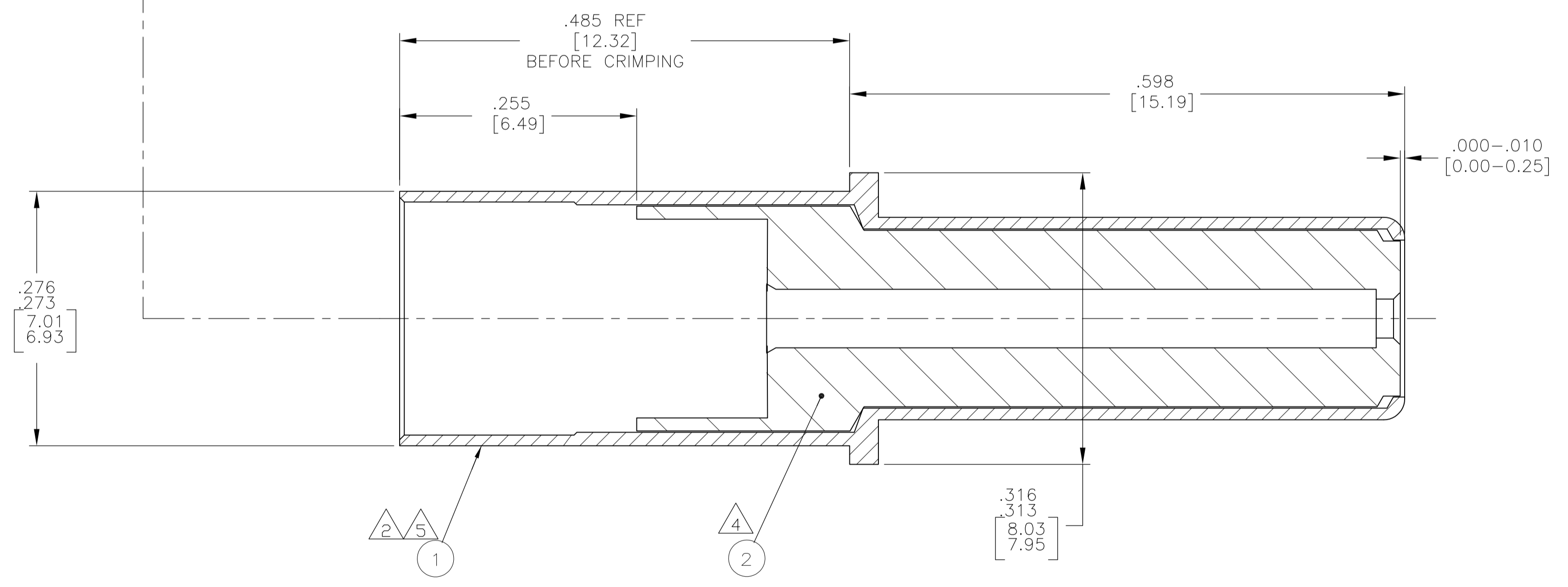
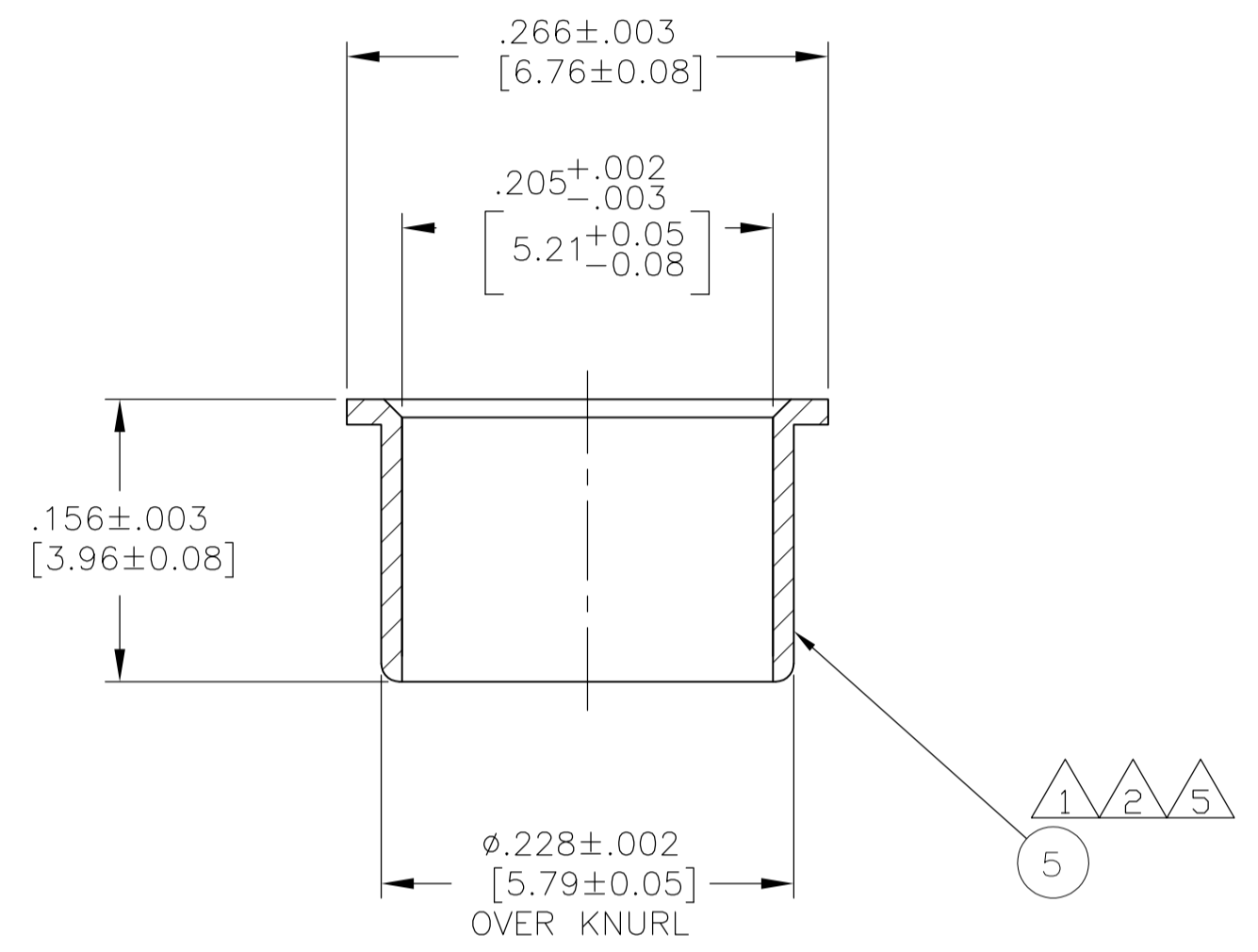
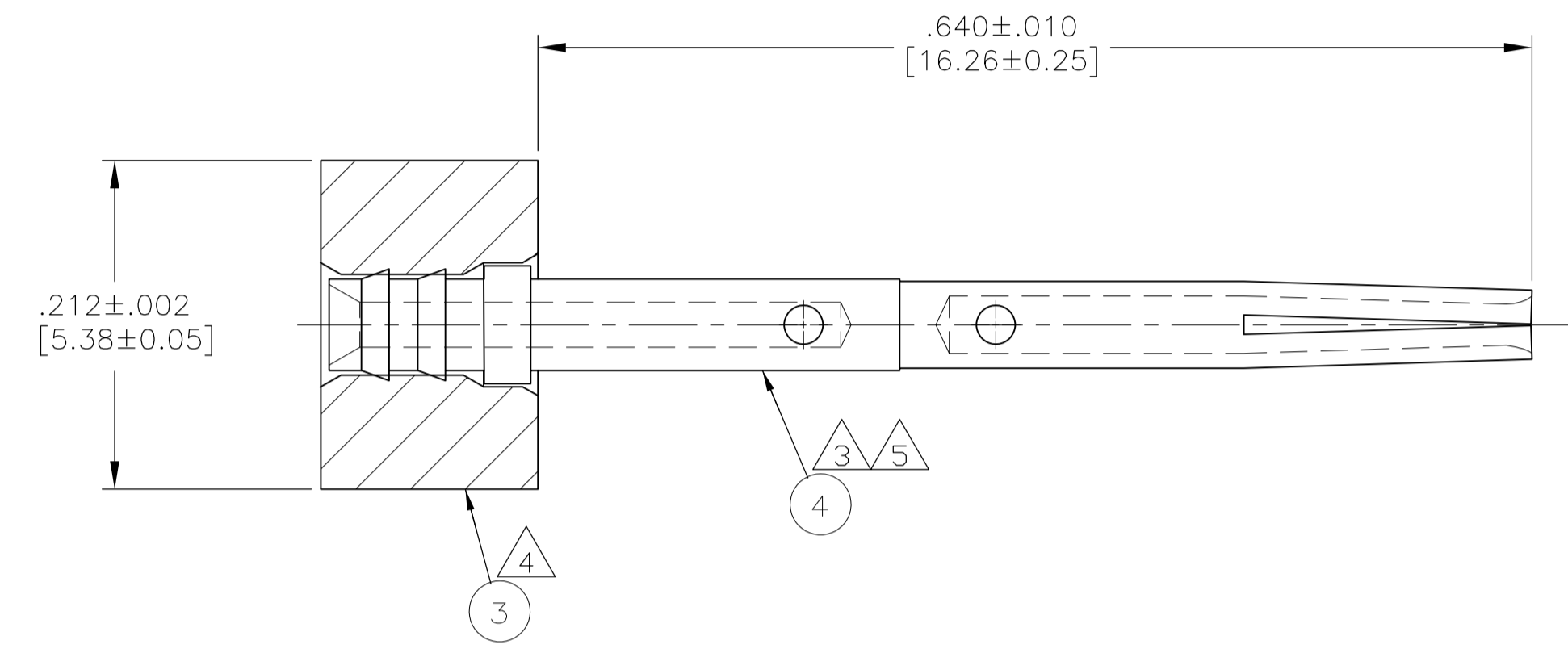
Email & Skype: info@chipsmall.com Web: www.chipsmall.com

Address: A1208, Overseas Decoration Building, #122 Zhenhua RD., Futian, Shenzhen, China



LOC		DIST		REVISIONS			
P	LTR	DESCRIPTION	DATE	DN	APVD		
A		RELEASED	1-26-15	CT	WM		

- 1 160 DP. FULL DIAMOND KNURL OVER THIS LENGTH.
- 2 MAT'L: BRASS PER ASTM-B-16
- 3 MAT'L: BERYLLIUM COPPER PER ASTM-B-196.
- 4 MAT'L: PTFE PER ASTM-D-1710.
- 5 FINISH: GOLD PLATE PER MIL-G-45204, TYPE 1, GRADE C, CLASS 1 OVER NICKEL .000050 [0.0013] THK PER QQ-N-290, CLASS 2.



INNER FERRULE	5
CONTACT,CENTER	4
DIELECTRIC,OUTER	3
DIELECTRIC,FRONT	2
SHELL,OUTER,PIN,SIZE 8	1
DESCRIPTION	ITEM NO

1218689-1
PART NUMBER

THIS DRAWING IS A CONTROLLED DOCUMENT.

DIMENSIONS: INCHES [mm]	TOLERANCES UNLESS OTHERWISE SPECIFIED:	DIN C.C.THOMAS 1-26-15	DRW C.C.THOMAS 1-26-15	CHK W.MOYER 1-26-15	APVD W.MOYER 1-26-15	NAME W.MOYER	SIZE A1	CAGE CODE 00779	DRAWING NO 1218689	RESTRICTED TO -
0 PLC ± -	1 PLC ± -	2 PLC ± -	3 PLC ± .005 [0.13]	4 PLC ± -	ANGLES ± -	APPLICATION SPEC	WEIGHT	SCALE 10:1	SHEET 1 OF 1	REV A
MATERIAL SEE CALLOUTS	FINISH -	CUSTOMER DRAWING								

STE TE Connectivity

CONTACT ASSY,SIZE 8,ARINC-COAX