



Chipsmall Limited consists of a professional team with an average of over 10 year of expertise in the distribution of electronic components. Based in Hongkong, we have already established firm and mutual-benefit business relationships with customers from,Europe,America and south Asia,supplying obsolete and hard-to-find components to meet their specific needs.

With the principle of “Quality Parts,Customers Priority,Honest Operation,and Considerate Service”,our business mainly focus on the distribution of electronic components. Line cards we deal with include Microchip,ALPS,ROHM,Xilinx,Pulse,ON,Everlight and Freescale. Main products comprise IC,Modules,Potentiometer,IC Socket,Relay,Connector.Our parts cover such applications as commercial,industrial, and automotives areas.

We are looking forward to setting up business relationship with you and hope to provide you with the best service and solution. Let us make a better world for our industry!



## Contact us

Tel: +86-755-8981 8866 Fax: +86-755-8427 6832

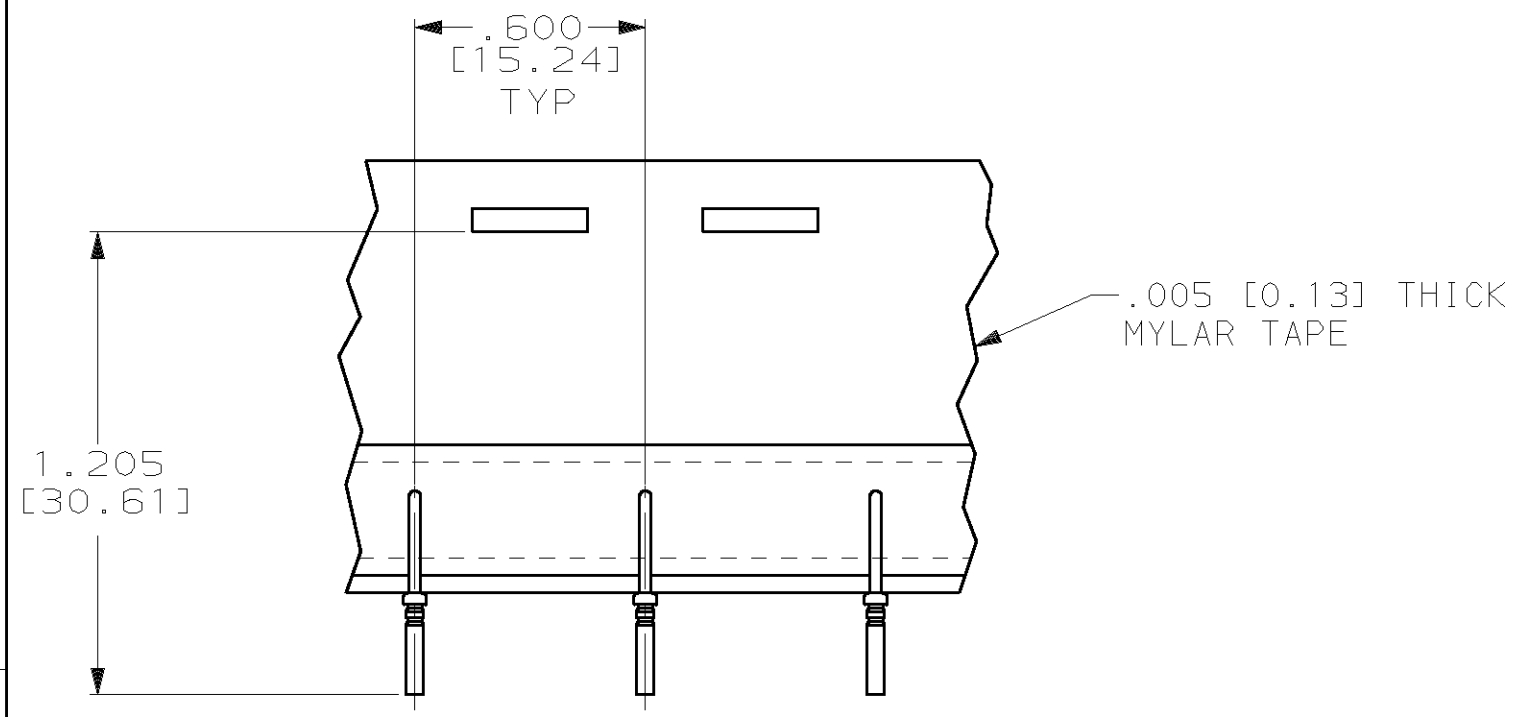
Email & Skype: info@chipsmall.com Web: www.chipsmall.com

Address: A1208, Overseas Decoration Building, #122 Zhenhua RD., Futian, Shenzhen, China

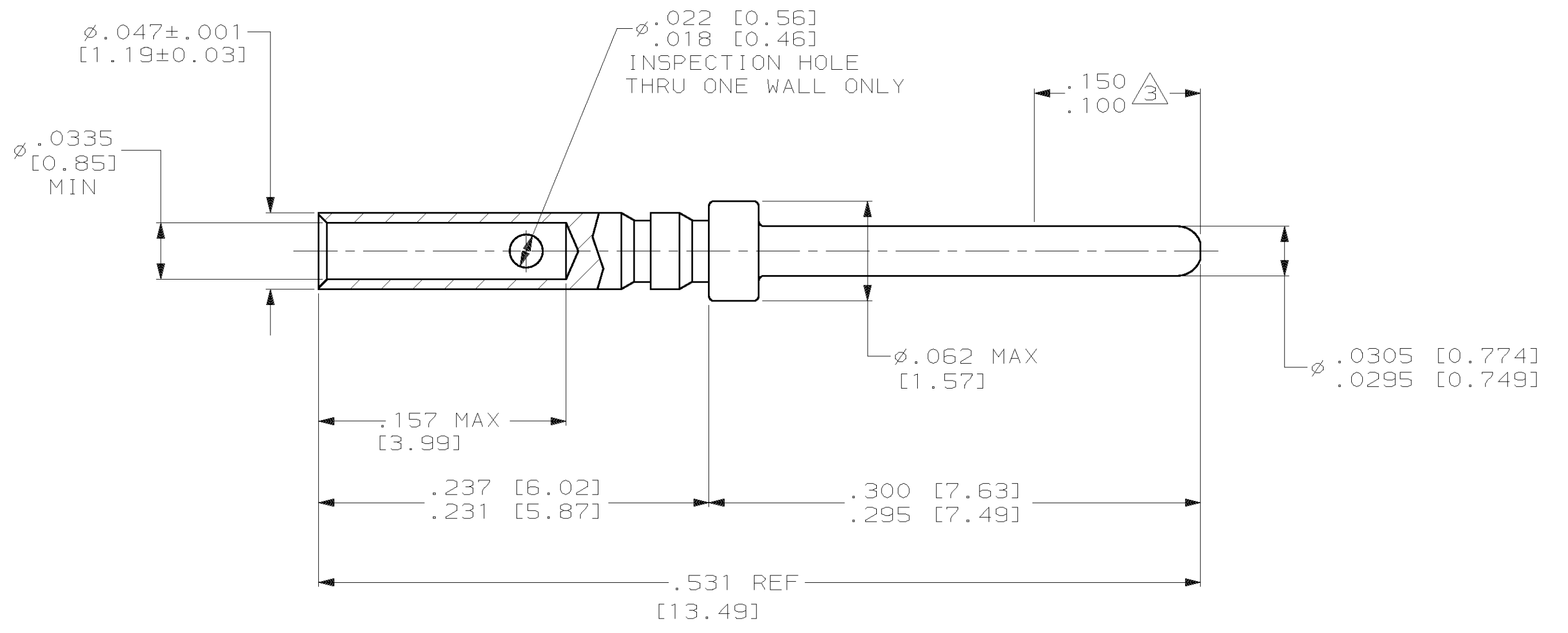


THIS DRAWING IS UNPUBLISHED. RELEASED FOR PUBLICATION  
 BY AMP INCORPORATED. ALL RIGHTS RESERVED.

LOC		DIST		REVISIONS			
P	LTR	DESCRIPTION	DATE	DWN	APVD		
0		RELEASED	4-00	CT	RG		
A		EC 063D-0267-01 JM	1-02	DBK	JM		



TAPE MOUNTED  
 1218699-2 ONLY  
 SCALE 2:1



- MATERIAL: BRASS PER ASTM-C34500.
- FINISH: GOLD PLATED .000050 [0.00127] MIN THICK OVER NICKEL PLATE .000050 [0.00127] MIN THICK.
- POINT OF PLATING THICKNESS MEASUREMENT.
- WIRE BARREL WILL ACCEPT #22-28 AWG WIRE.
- CRIMPING TOOL: USE M53198-1 WITH APPLICABLE POSITIONER.
- INSERTION/EXTRACTION TOLL: AMP PART NO. 91067-1.
- FINISH: GOLD PLATED .000030 MIN THK OVER NICKEL UNDERPLATE .000050 MIN THK

FINISH	DESCRIPTION	PART NUMBER
?	LOOSE PIECE	1218699-3
2	ON TAPE	1218699-2
2	LOOSE PIECE	1218699-1

THIS DRAWING IS A CONTROLLED DOCUMENT.

DWN	C.C. THOMAS	4/17/00
CHK	R. GROSS	4/17/00
APVD	R. GROSS	4/17/00

AMP Incorporated  
 Harrisburg, PA 17105-3608

PIN CONTACT, SIZE 22D, AMPLIMITE

SIZE	CAGE CODE	DRAWING NO	RESTRICTED TO
A2	00779	C-1218699	-

CUSTOMER DRAWING SCALE 15:1 SHEET 1 OF 1 REV A

1218699