



Chipsmall Limited consists of a professional team with an average of over 10 year of expertise in the distribution of electronic components. Based in Hongkong, we have already established firm and mutual-benefit business relationships with customers from,Europe,America and south Asia,supplying obsolete and hard-to-find components to meet their specific needs.

With the principle of “Quality Parts,Customers Priority,Honest Operation,and Considerate Service”,our business mainly focus on the distribution of electronic components. Line cards we deal with include Microchip,ALPS,ROHM,Xilinx,Pulse,ON,Everlight and Freescale. Main products comprise IC,Modules,Potentiometer,IC Socket,Relay,Connector.Our parts cover such applications as commercial,industrial, and automotives areas.

We are looking forward to setting up business relationship with you and hope to provide you with the best service and solution. Let us make a better world for our industry!



Contact us

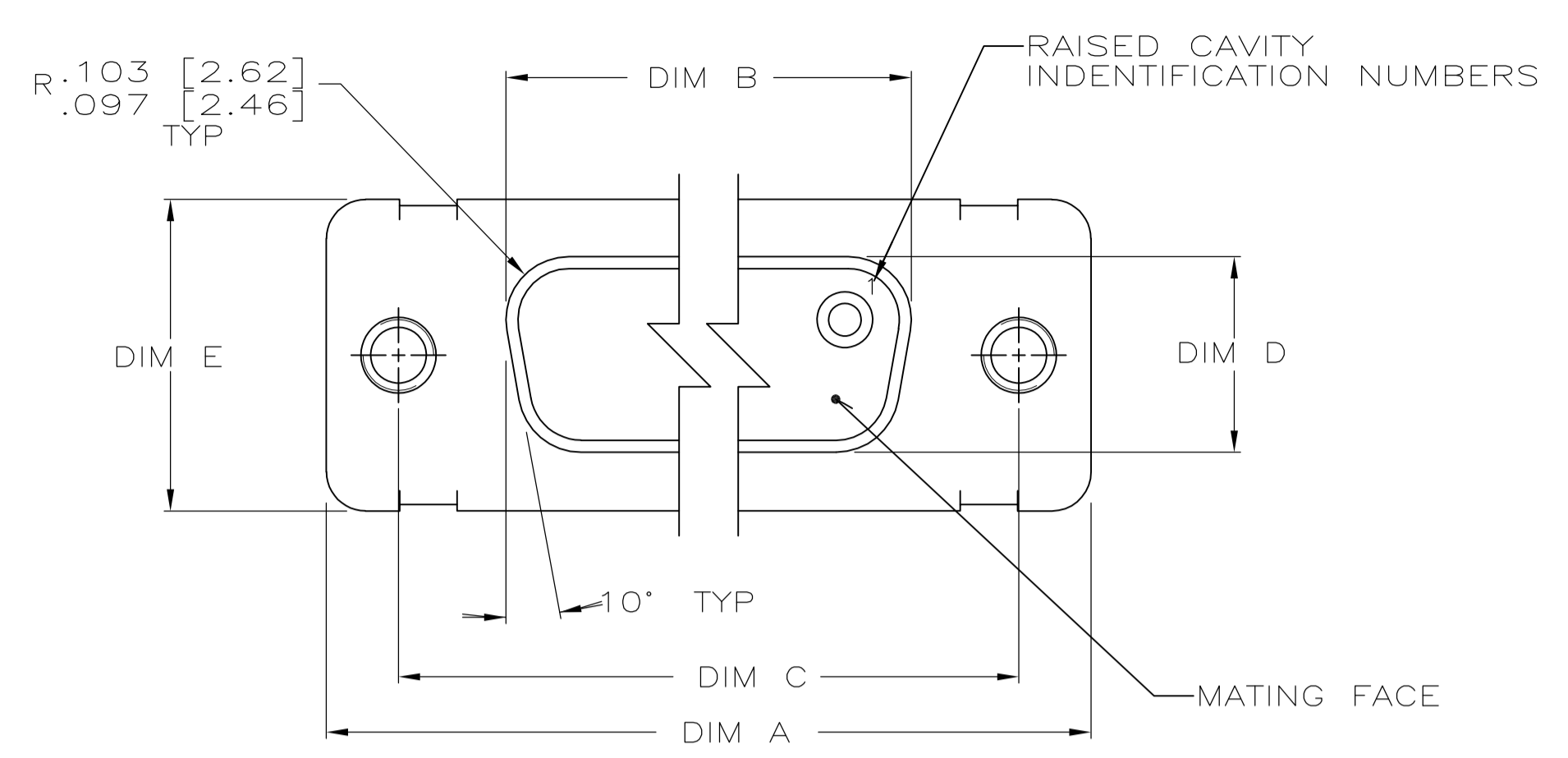
Tel: +86-755-8981 8866 Fax: +86-755-8427 6832

Email & Skype: info@chipsmall.com Web: www.chipsmall.com

Address: A1208, Overseas Decoration Building, #122 Zhenhua RD., Futian, Shenzhen, China

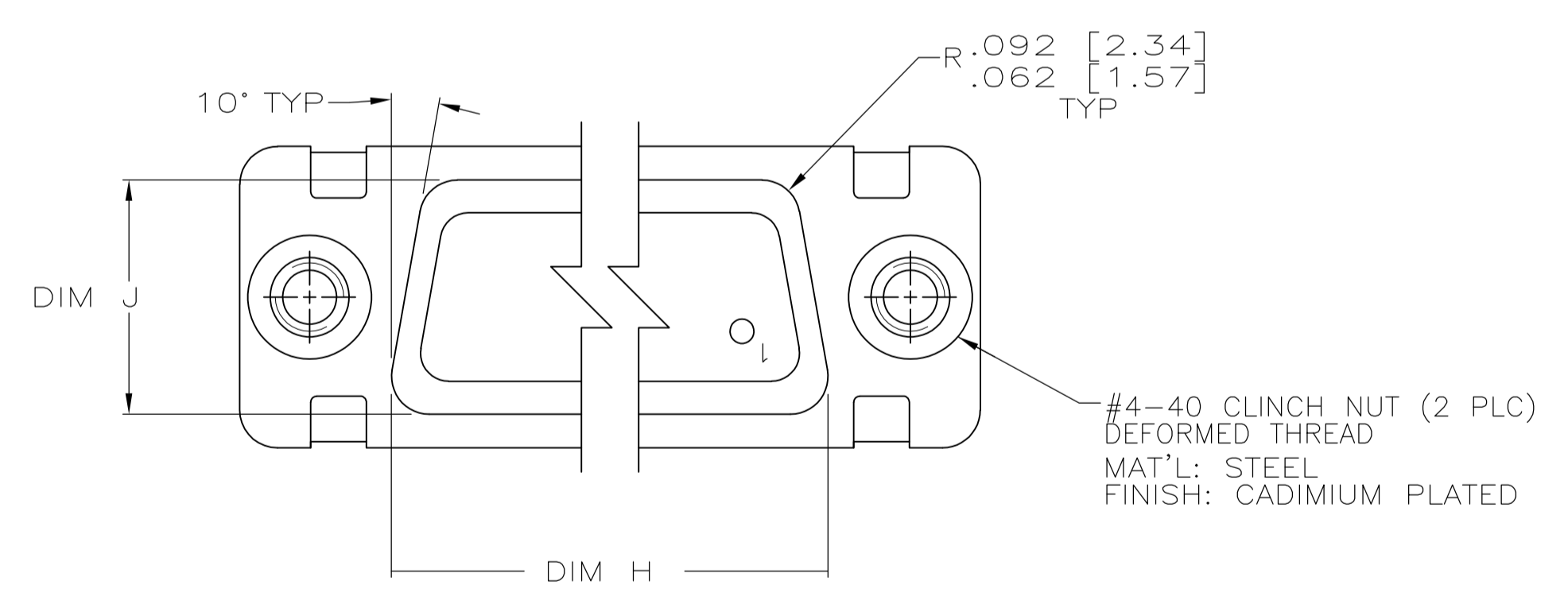
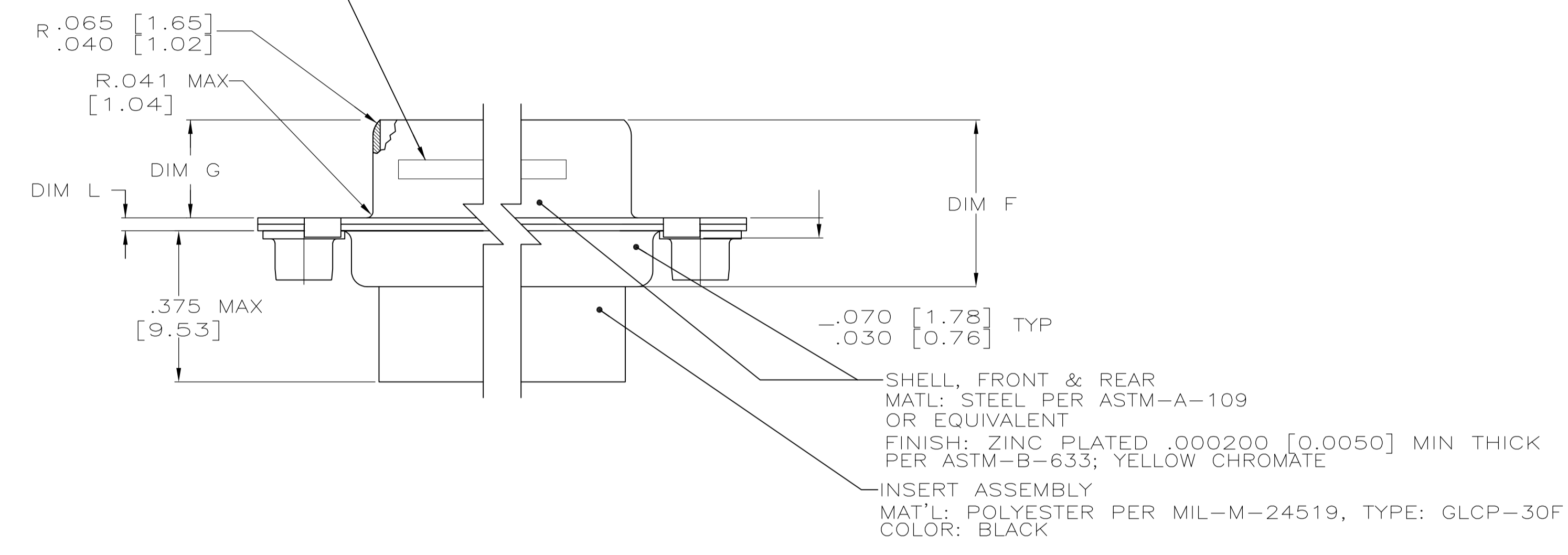


LOC		DIST		REVISIONS			
P	LTR	DESCRIPTION	DATE	DN	APVD		
B		REV PER ECO-11-022285	10NOV11	PY	RL		



- THE CONNECTORS DESCRIBED IN THIS DOCUMENT WILL MATE WITH ANY PLUG CONNECTOR WITH THE SAME INSERT ARRANGEMENT.
- MARKED WITH .047 [1.19]-.062 [1.57] HIGH CHARACTERS. FAR SIDE REFERS TO THE WIDE SIDE OF THE KEYSTONE. NEAR SIDE REFERS TO THE NARROW SIDE OF THE KEYSTONE. IF THE FRONT SHELL IS TOO SMALL FOR "AMP", AMP PART NUMBER AND DATE CODE, THEN SPLIT AS FOLLOWS:
 - AMP PART NUMBER ON REAR SHELL, NEAR SIDE.
 - "AMP" AND DATE CODE ON FRONT SHELL, NEAR SIDE.

MARK AMP, AMP PART NO AND DATE CODE, FAR SIDE.



.049	[1.24]	.606	[15.39]	2.312	[58.72]	.248	[6.30]	.439	[11.15]	.683	[17.35]	.490	[12.45]	2.505	[63.63]	2.194	[55.73]	2.744	[69.70]	MS14004-1	104	6	1218747-6
.029	[0.74]	.586	[14.88]	2.292	[58.22]	.238	[6.05]	.419	[10.64]	.653	[16.59]	.480	[12.19]	2.495	[63.37]	2.184	[55.47]	2.714	[68.94]	MS18277-2	78	5	1218747-5
.040	[1.02]	.544	[13.82]	2.188	[55.58]	.248	[6.30]	.439	[11.15]	.620	[15.75]	.428	[10.87]	2.411	[61.24]	2.069	[52.55]	2.650	[67.31]	MS18276-2	62	4	1218747-4
.020	[0.51]	.524	[13.31]	2.168	[55.07]	.238	[6.05]	.419	[10.64]	.590	[14.99]	.418	[10.62]	2.401	[60.99]	2.059	[52.30]	2.620	[66.55]	MS18275-2	44	3	1218747-3
.049	[1.24]	.432	[10.97]	1.635	[41.53]	.248	[6.30]	.439	[11.15]	.509	[12.93]	.316	[8.03]	1.857	[47.17]	1.516	[38.51]	2.103	[53.42]	MS18274-2	26	2	1218747-2
.029	[0.74]	.412	[10.46]	1.615	[41.02]	.238	[6.05]	.419	[10.64]	.479	[12.17]	.306	[7.77]	1.847	[46.91]	1.506	[38.25]	2.073	[52.65]	MS18273-2	15	1	1218747-1
.040	[1.02]	.432	[10.97]	1.093	[27.76]	.248	[6.30]	.439	[11.15]	.509	[12.93]	.316	[8.03]	1.317	[33.45]	.976	[24.79]	1.556	[39.52]				
.020	[0.51]	.412	[10.46]	1.073	[27.25]	.238	[6.05]	.419	[10.64]	.479	[12.17]	.306	[7.77]	1.307	[33.20]	.966	[24.54]	1.526	[38.76]				
.040	[1.02]	.432	[10.97]	.769	[19.53]	.248	[6.30]	.439	[11.15]	.509	[12.93]	.316	[8.03]	.989	[25.12]	.648	[16.46]	1.228	[31.19]				
.020	[0.51]	.412	[10.46]	.749	[19.02]	.238	[6.05]	.419	[10.64]	.479	[12.17]	.306	[7.77]	.979	[24.87]	.638	[16.21]	1.198	[30.43]				
L	J	H	G	F	E	D	C	B	A	INSERT ARRANGEMENT		NO OF POS		SHELL SIZE		PART NUMBER							

THIS DRAWING IS A CONTROLLED DOCUMENT.

DIMENSIONS: INCHES. TOLERANCES UNLESS OTHERWISE SPECIFIED:

0 PLC	± .005
1 PLC	± .004
2 PLC	± .003
3 PLC	± .002
4 PLC	± .001
ANGLES	± .001

MATERIAL: - FINISH: -

WEIGHT: -

CUSTOMER DRAWING

DIN C.C.THOMAS 11-13-00
 CHK R.GROSS 11-13-00
 APVD R.GROSS 11-13-00
 NAME PRODUCT SPEC
 APPLICATION SPEC
 SIZE: A1 00779 C=1218747
 SCALE: 1:1 SHEET: 1 OF 1 REV: B

STE TE Connectivity
 RECEPTACLE ASSY, AMPLIMITE, SERIES 90
 SIZE 22, ZINC PLATED WITH
 #4-40 CLINCH NUTS