



Chipsmall Limited consists of a professional team with an average of over 10 year of expertise in the distribution of electronic components. Based in Hongkong, we have already established firm and mutual-benefit business relationships with customers from,Europe,America and south Asia,supplying obsolete and hard-to-find components to meet their specific needs.

With the principle of “Quality Parts,Customers Priority,Honest Operation,and Considerate Service”,our business mainly focus on the distribution of electronic components. Line cards we deal with include Microchip,ALPS,ROHM,Xilinx,Pulse,ON,Everlight and Freescale. Main products comprise IC,Modules,Potentiometer,IC Socket,Relay,Connector.Our parts cover such applications as commercial,industrial, and automotives areas.

We are looking forward to setting up business relationship with you and hope to provide you with the best service and solution. Let us make a better world for our industry!



Contact us

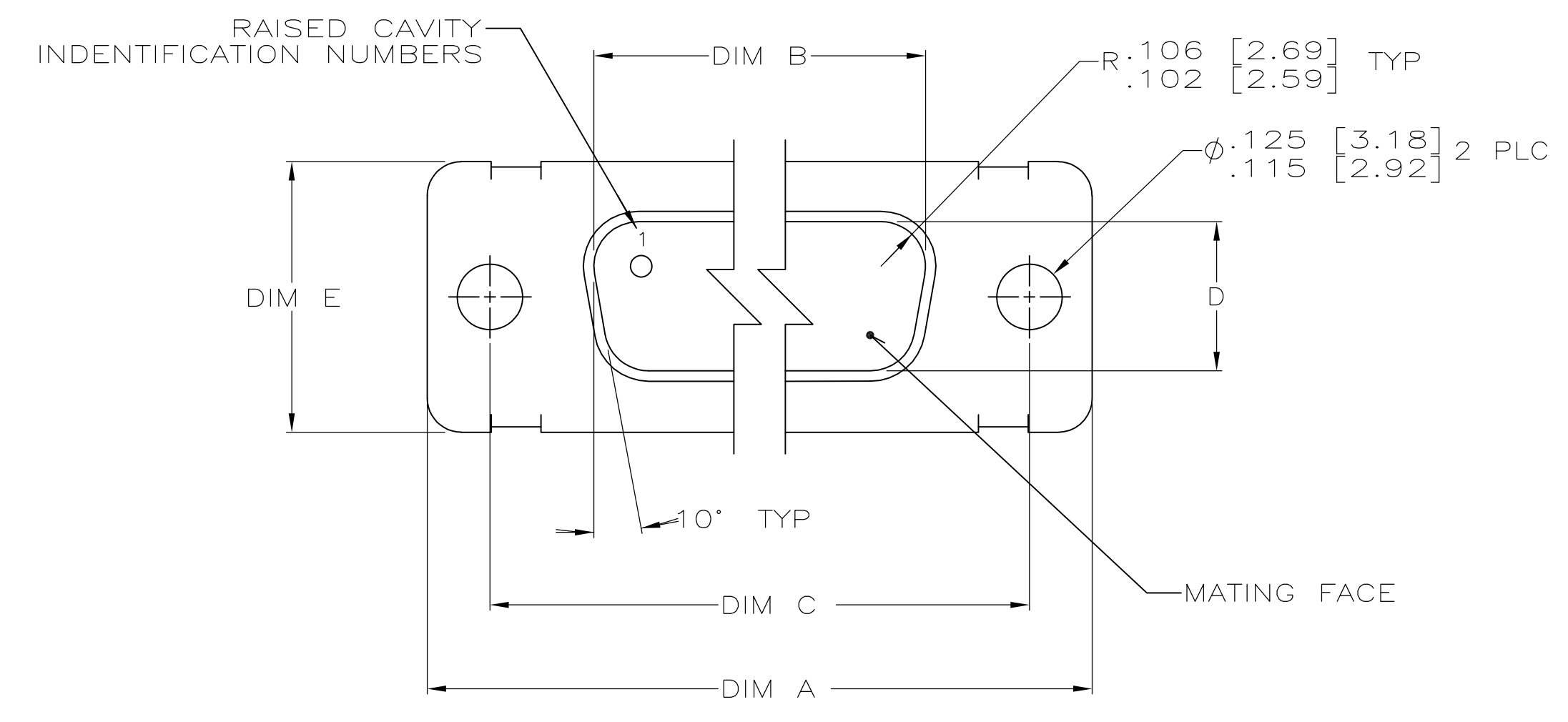
Tel: +86-755-8981 8866 Fax: +86-755-8427 6832

Email & Skype: info@chipsmall.com Web: www.chipsmall.com

Address: A1208, Overseas Decoration Building, #122 Zhenhua RD., Futian, Shenzhen, China

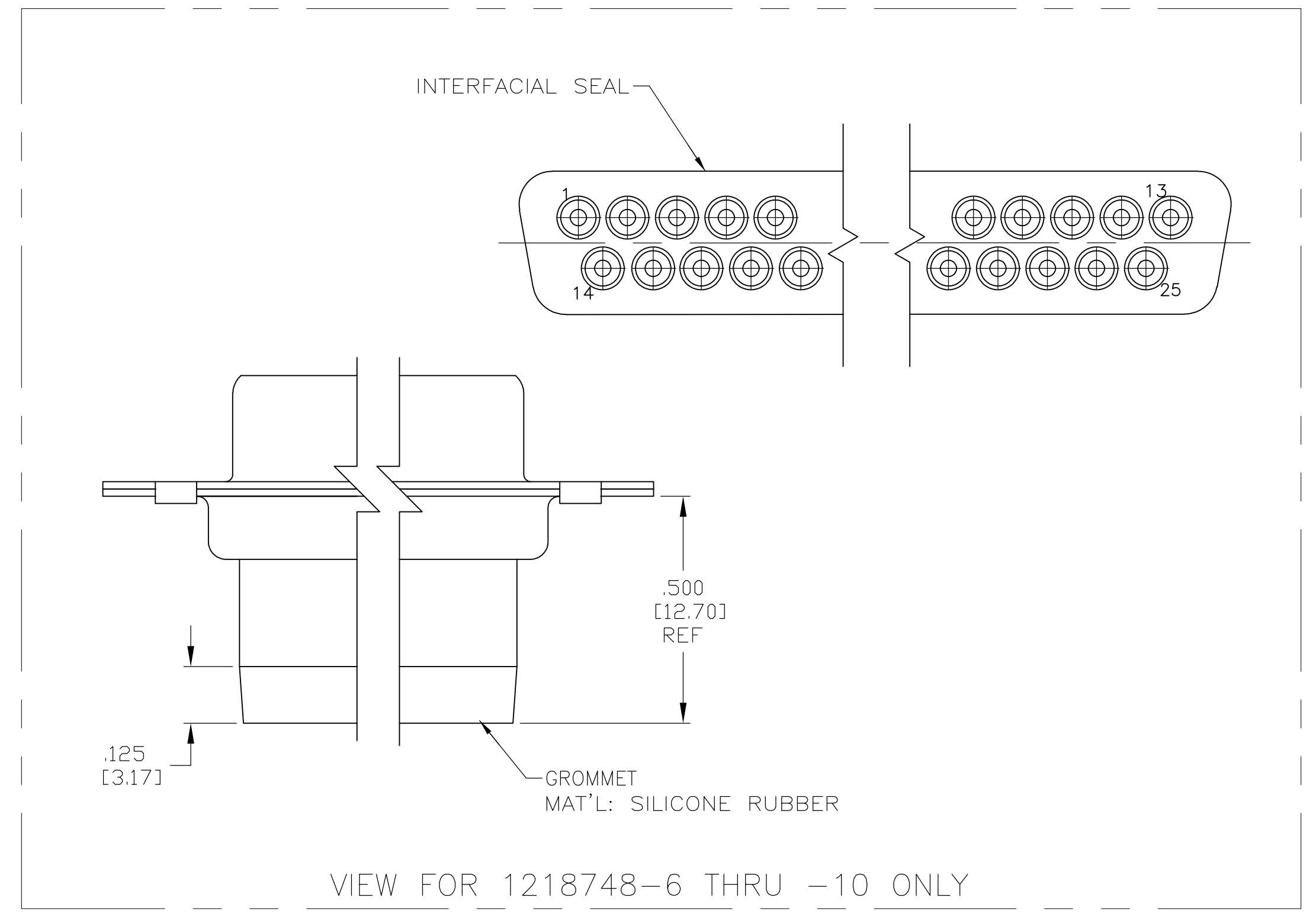
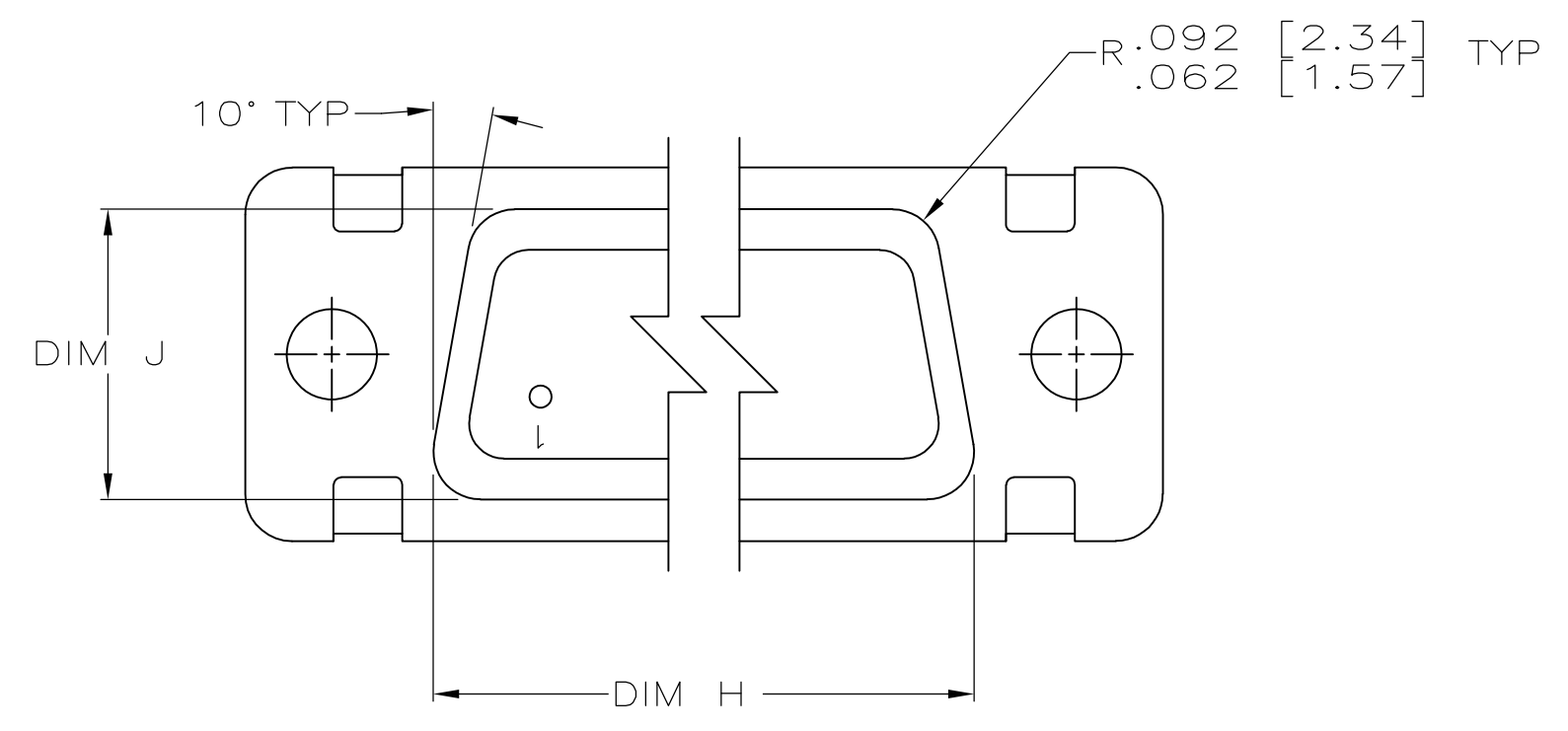
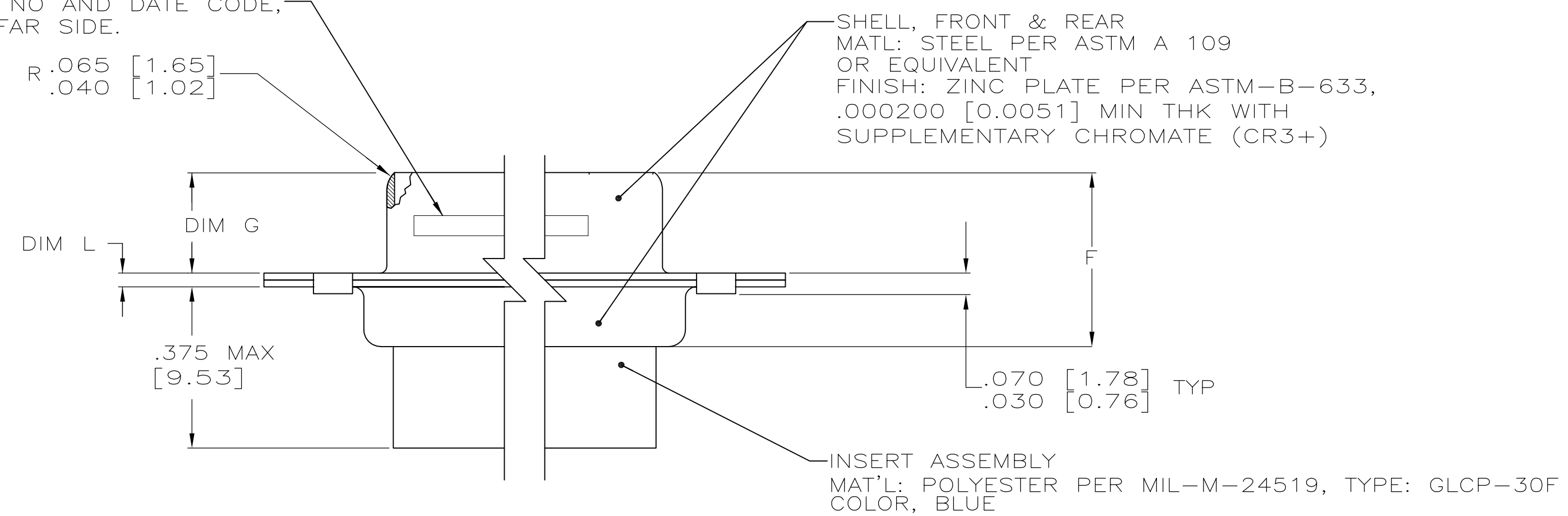


LOC	DIST	REVISIONS				
DF	DO	REV	PER	DATE	BY	APPV
E		REV PER ECO-06-004816		07MAR06	PY	DM
F		REV PER ECO-08-018752		21AUG08	PK	BW



- THE CONNECTORS DESCRIBED IN THIS DOCUMENT MATE WITH ANY RECEPTACLE CONNECTOR WITH THE SAME INSERT ARRANGEMENT.
- MARKED WITH .047 [1.19]-.062 [1.57] HIGH CHARACTERS. FAR SIDE REFERS TO THE WIDE SIDE OF THE KEYSTONE. NEAR SIDE REFERS TO THE NARROW SIDE OF THE KEYSTONE. IF THE FRONT SHELL IS TOO SMALL FOR "MFG'S"(NAME, BRAND OR LOGO), MFG'S PART NUMBER AND DATE CODE, THEN SPLIT AS FOLLOWS:
 - MFG'S PART NUMBER ON REAR SHELL, FAR SIDE.
 - "MFG'S" (NAME, BRAND OR LOGO) AND DATE CODE ON FRONT SHELL, FAR SIDE.

MARK MFG'S(NAME, BRAND OR LOGO), MFG'S PART NO AND DATE CODE, FAR SIDE.



REMARKS	L	J	H	G	F	E	D	C	B	A	INSERT ARRANGEMENT	NO OF POS	SHELL SIZE	PART NUMBER
PRELIMINARY NOT RELEASED FOR PRODUCTION	WITH GROMMET & INTERFACIAL SEAL	.049 [1.24]	.544 [13.82]	2.188 [55.58]	.238 [6.05]	.436 [11.07]	.620 [15.75]	.446 [11.33]	2.411 [61.24]	2.084 [52.93]	2.650 [67.31]	50	5	1-1218748-0
PRELIMINARY NOT RELEASED FOR PRODUCTION	WITH GROMMET & INTERFACIAL SEAL	.029 [0.74]	.524 [13.31]	2.168 [55.07]	.229 [5.82]	.416 [10.57]	.590 [14.99]	.436 [11.07]	2.401 [60.99]	2.074 [52.68]	2.620 [66.55]	37	4	1218748-9
PRELIMINARY NOT RELEASED FOR PRODUCTION	WITH GROMMET & INTERFACIAL SEAL	.049 [1.24]	.432 [10.97]	2.282 [57.96]	.238 [6.05]	.436 [11.07]	.509 [12.93]	.334 [8.48]	2.505 [63.63]	2.187 [55.55]	2.744 [69.70]	25	3	1218748-8
PRELIMINARY NOT RELEASED FOR PRODUCTION	WITH GROMMET & INTERFACIAL SEAL	.029 [0.74]	.412 [10.46]	2.262 [57.45]	.229 [5.82]	.416 [10.57]	.479 [12.17]	.324 [8.23]	2.495 [63.37]	2.177 [55.30]	2.714 [68.94]	15	2	1218748-7
PRELIMINARY NOT RELEASED FOR PRODUCTION	WITH GROMMET & INTERFACIAL SEAL	.040 [1.02]	.432 [10.97]	1.093 [27.76]	.238 [6.05]	.432 [10.97]	.509 [12.93]	.334 [8.48]	1.317 [33.45]	.999 [25.37]	1.556 [39.52]	9	1	1218748-6
PRELIMINARY NOT RELEASED FOR PRODUCTION	WITH GROMMET & INTERFACIAL SEAL	.020 [0.51]	.412 [10.46]	1.073 [27.25]	.229 [5.82]	.412 [10.46]	.479 [12.17]	.324 [8.23]	1.307 [33.20]	.989 [25.12]	1.526 [38.76]	9	1	1218748-6
---	---	.049 [1.24]	.544 [13.82]	2.188 [55.58]	.238 [6.05]	.436 [11.07]	.620 [15.75]	.446 [11.33]	2.411 [61.24]	2.084 [52.93]	2.650 [67.31]	50	5	1218748-5
---	---	.029 [0.74]	.524 [13.31]	2.168 [55.07]	.229 [5.82]	.416 [10.57]	.590 [14.99]	.436 [11.07]	2.401 [60.99]	2.074 [52.68]	2.620 [66.55]	37	4	1218748-4
---	---	.049 [1.24]	.432 [10.97]	2.282 [57.96]	.238 [6.05]	.436 [11.07]	.509 [12.93]	.334 [8.48]	2.505 [63.63]	2.187 [55.55]	2.744 [69.70]	25	3	1218748-3
---	---	.029 [0.74]	.412 [10.46]	2.262 [57.45]	.229 [5.82]	.416 [10.57]	.479 [12.17]	.324 [8.23]	2.495 [63.37]	2.177 [55.30]	2.714 [68.94]	15	2	1218748-2
---	---	.040 [1.02]	.432 [10.97]	1.093 [27.76]	.238 [6.05]	.432 [10.97]	.509 [12.93]	.334 [8.48]	1.317 [33.45]	.999 [25.37]	1.556 [39.52]	9	1	1218748-1
---	---	.020 [0.51]	.412 [10.46]	1.073 [27.25]	.229 [5.82]	.412 [10.46]	.479 [12.17]	.324 [8.23]	1.307 [33.20]	.989 [25.12]	1.526 [38.76]	9	1	1218748-1

THIS DRAWING IS A CONTROLLED DOCUMENT.

DW: C.C. THOMAS 11-10-00
 CHK: R. GROSS 11-10-00
 APP'D: R. GROSS 11-10-00

TOLERANCES UNLESS OTHERWISE SPECIFIED:
 DIMENSIONS: INCHES
 0 PLC ± .005
 1 PLC ± .004
 2 PLC ± .003
 3 PLC ± .002
 4 PLC ± .001
 ANGLES ± .1°

MATERIAL: SEE CALLOUTS
 FINISH: SEE CALLOUTS

WEIGHT: --
 CUSTOMER DRAWING

NAME: PLUG ASSY,AMPLIMITE,SERIES 109, SIZE 20,ZINC PLATED

SIZE: A1
 CAGE CODE: 00779
 DRAWING NO: 1218748

RESTRICTED TO: --
 SCALE: 4:1
 SHEET: 1 OF 1
 REV: F