



Chipsmall Limited consists of a professional team with an average of over 10 year of expertise in the distribution of electronic components. Based in Hongkong, we have already established firm and mutual-benefit business relationships with customers from,Europe,America and south Asia,supplying obsolete and hard-to-find components to meet their specific needs.

With the principle of "Quality Parts,Customers Priority,Honest Operation,and Considerate Service",our business mainly focus on the distribution of electronic components. Line cards we deal with include Microchip,ALPS,ROHM,Xilinx,Pulse,ON,Everlight and Freescale. Main products comprise IC,Modules,Potentiometer,IC Socket,Relay,Connector.Our parts cover such applications as commercial,industrial, and automotives areas.

We are looking forward to setting up business relationship with you and hope to provide you with the best service and solution. Let us make a better world for our industry!



## Contact us

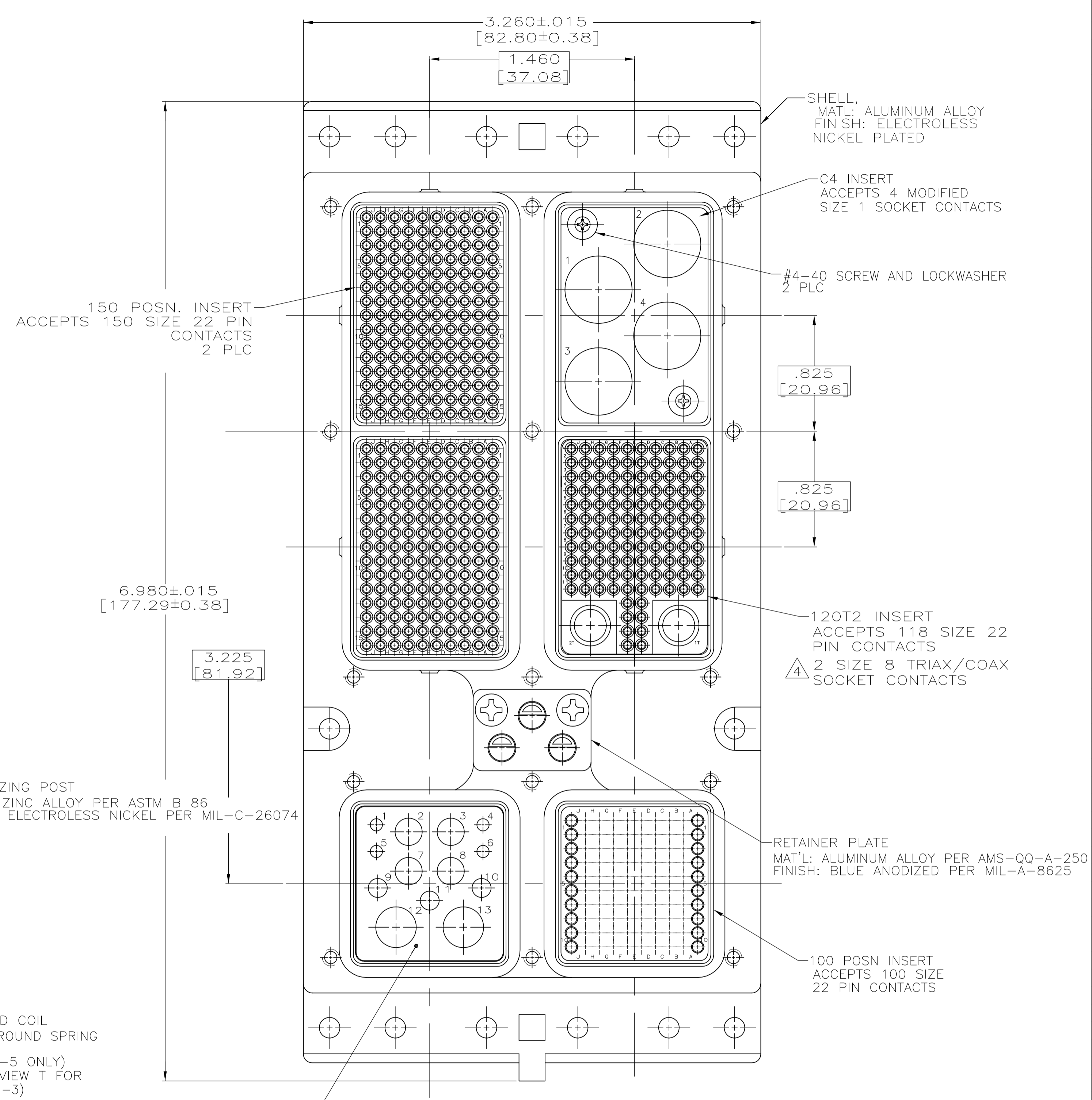
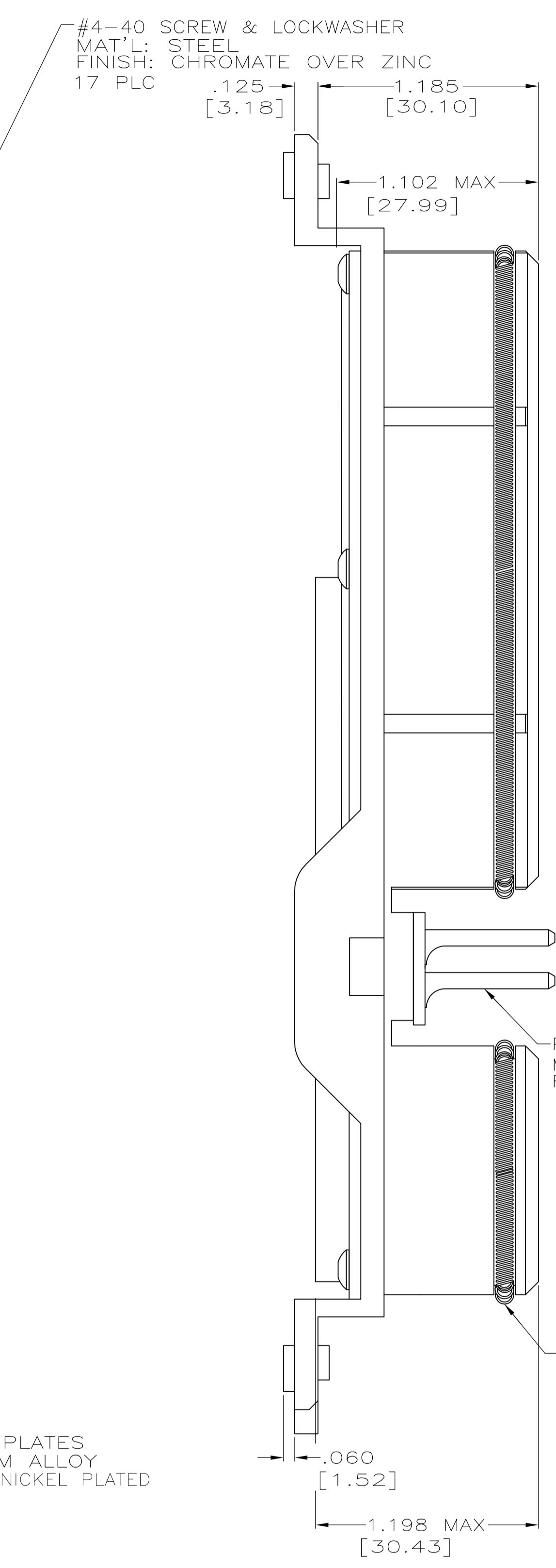
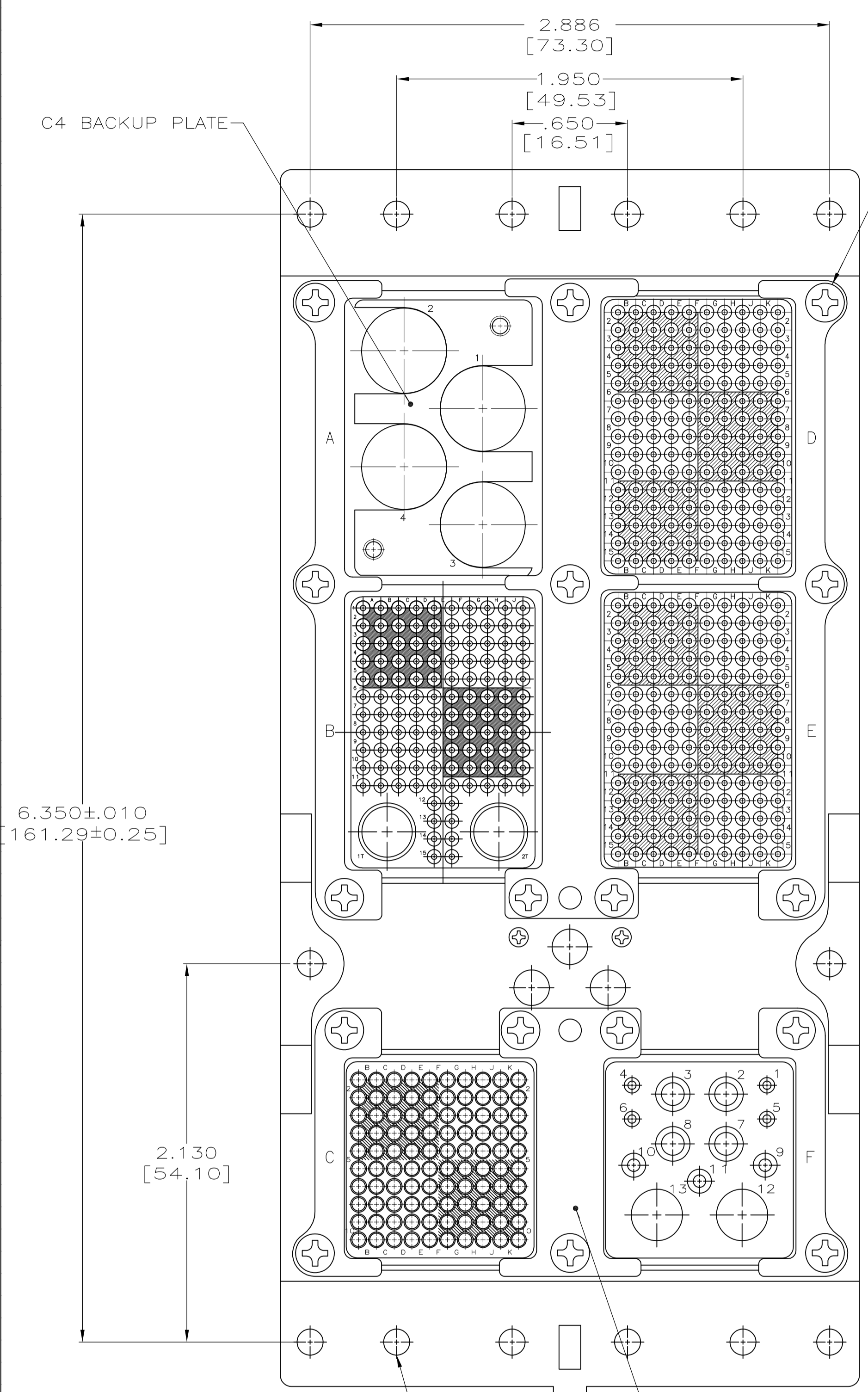
Tel: +86-755-8981 8866 Fax: +86-755-8427 6832

Email & Skype: info@chipsmall.com Web: www.chipsmall.com

Address: A1208, Overseas Decoration Building, #122 Zhenhua RD., Futian, Shenzhen, China

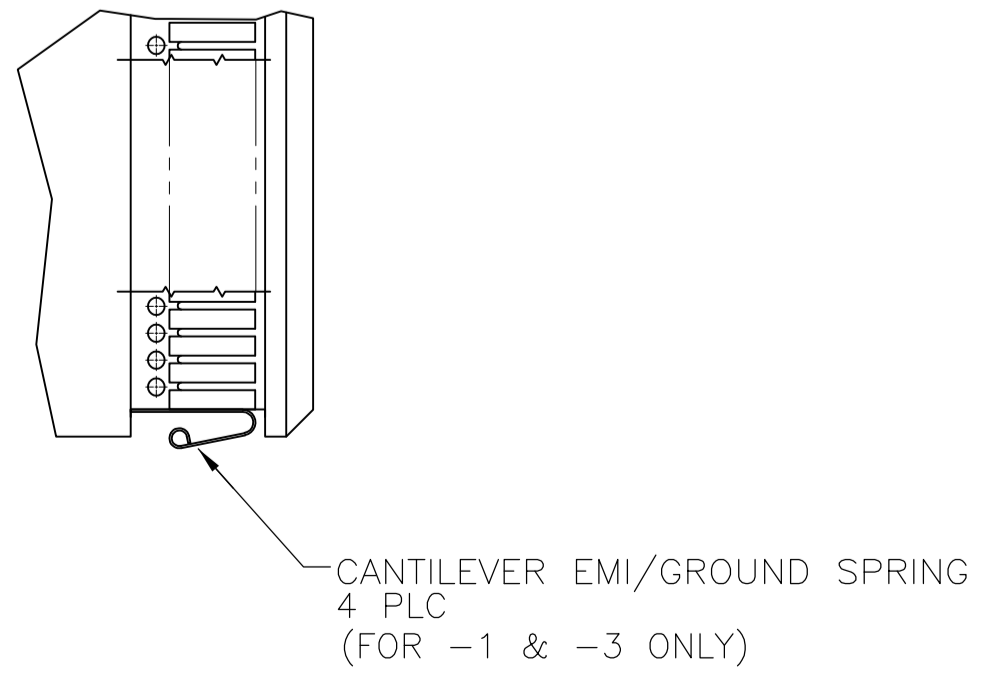


LOC		DIST		REVISIONS			
P	LTR	DESCRIPTION	DATE	DN	APVD		
C	REV PER ECO	10-017938	9-7-10	CT	KT		



INSERT RETENTION PLATES  
 MATERIAL: ALUMINUM ALLOY  
 FINISH: ELECTROLESS NICKEL PLATED

Ø .148±.003 [3.76±0.08] TYP



- DIMENSIONS AND MATERIALS PER ARINC 600 SPECIFICATION.
  - CONNECTOR POLARIZATION = "01".
  - ALL CONTACTS MUST BE ORDERED SEPARATELY.
- △ COAX CONTACTS GROUNDED TO SHELL THROUGH GOLD PLATED GROUND SPRINGS TO MEET REQUIREMENTS OF RTCA DOD-160D, SEC 20. 120T2 INSERT DOES NOT ACCEPT STANDARD SIZE 8 CONTACTS.  
 USE: 1218821-2 FOR RG-142 WIRE  
 USE: 1218820-2 FOR RG-316 WIRE  
 USE: 1218822-2 FOR RG-55/58/223 WIRE  
 APPLIES TO 1218791-3, -4 AND -5 ONLY.
- △ SIGNAL AND POWER CONTACTS INCLUDED. COAX/TRIAX MUST BE ORDERED SEPARATELY.
- △ PRELIMINARY- NOT RELEASED FOR PRODUCTION

13C2 INSERT  
 ACCEPTS: 4 SIZE 12 SOCKETS  
 3 SIZE 16 SOCKETS  
 4 SIZE 20 SOCKETS  
 2 SIZE 5 COAX SOCKETS

CONTACTS	STATUS	DESCRIPTION	PART NUMBER
△ 5	RELEASED	HIRF COMPLIANT COAX △ 4 WITH CANTED COIL SPRING EMI GROUND SPRING	1218791-5
△ 3	△ 6	HIRF COMPLIANT COAX △ 4 NO EMI GROUND SPRING	1218791-4
△ 3	RELEASED	HIRF COMPLIANT COAX △ 4 WITH CANTILEVER EMI GROUND SPRING	1218791-3
△ 3	△ 6	STANDARD NO EMI GROUND SPRING	1218791-2
△ 3	△ 6	STANDARD WITH CANTILEVER EMI GROUND SPRING	1218791-1
		13C2 & 120T2 COAX INSERTS	
		EMI GROUND SPRING TYPE	

THIS DRAWING IS A CONTROLLED DOCUMENT. DIMENSIONS: INCHES [mm]. TOLERANCES UNLESS OTHERWISE SPECIFIED: 0 PLC ± .005, 1 PLC ± .005, 2 PLC ± .005, 3 PLC ± .005, 4 PLC ± .005. MATERIAL: SEE CALLOUTS. FINISH: SEE CALLOUTS.

APPROVED: S. GLATFELTER. DATE: 9-12-00. NAME: S. GLATFELTER. PRODUCT SPEC: PLUG ASSY W/ EMI GROUND SPRING, SIZE 3, UNSEALED, ARINC 600. APPLICATION SPEC: PLUG ASSY W/ EMI GROUND SPRING, SIZE 3, UNSEALED, ARINC 600. WEIGHT: 0.00779. SCALE: 2:1. SHEET: 1 OF 1. REV: C.