



Chipsmall Limited consists of a professional team with an average of over 10 year of expertise in the distribution of electronic components. Based in Hongkong, we have already established firm and mutual-benefit business relationships with customers from,Europe,America and south Asia,supplying obsolete and hard-to-find components to meet their specific needs.

With the principle of "Quality Parts,Customers Priority,Honest Operation,and Considerate Service",our business mainly focus on the distribution of electronic components. Line cards we deal with include Microchip,ALPS,ROHM,Xilinx,Pulse,ON,Everlight and Freescale. Main products comprise IC,Modules,Potentiometer,IC Socket,Relay,Connector.Our parts cover such applications as commercial,industrial, and automotives areas.

We are looking forward to setting up business relationship with you and hope to provide you with the best service and solution. Let us make a better world for our industry!



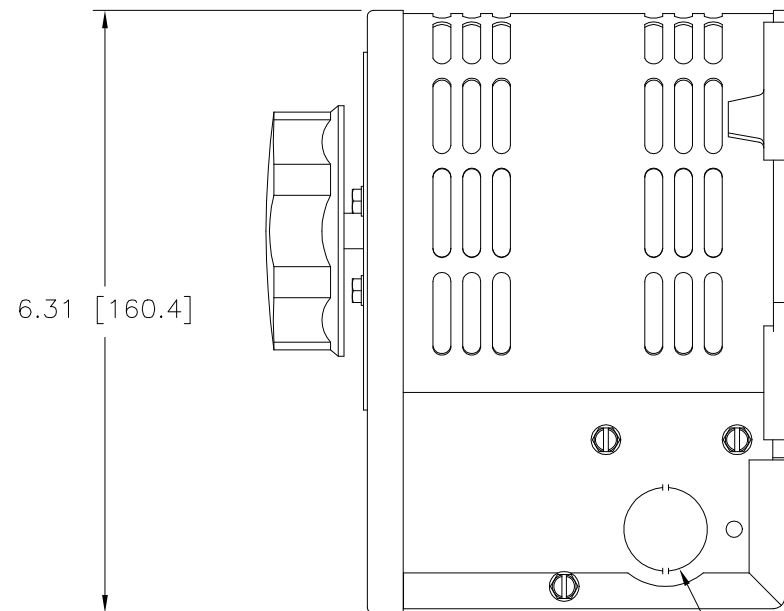
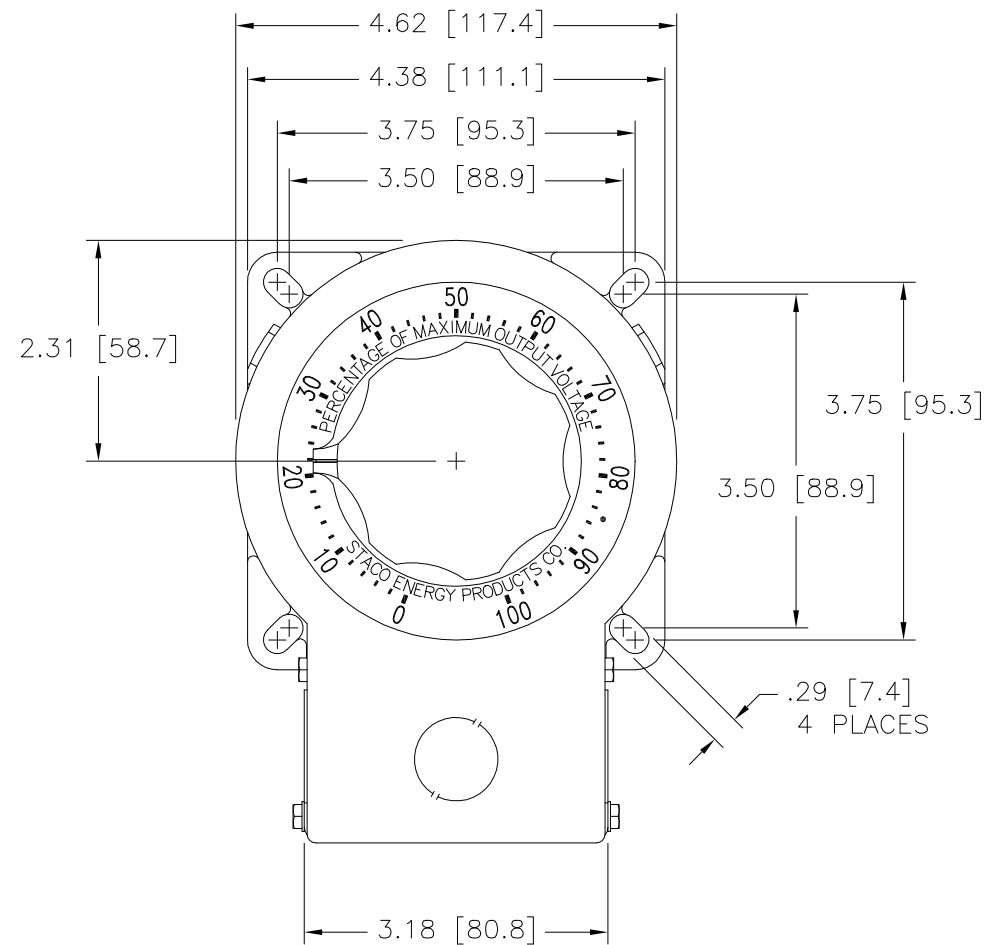
Contact us

Tel: +86-755-8981 8866 Fax: +86-755-8427 6832

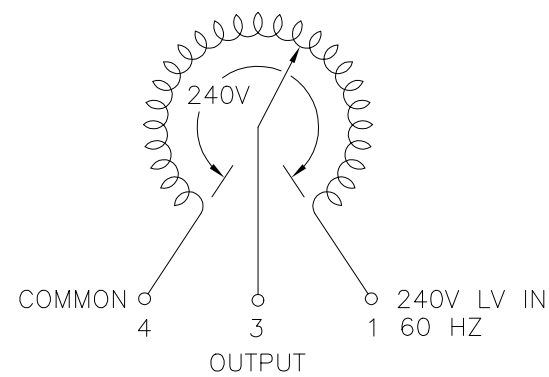
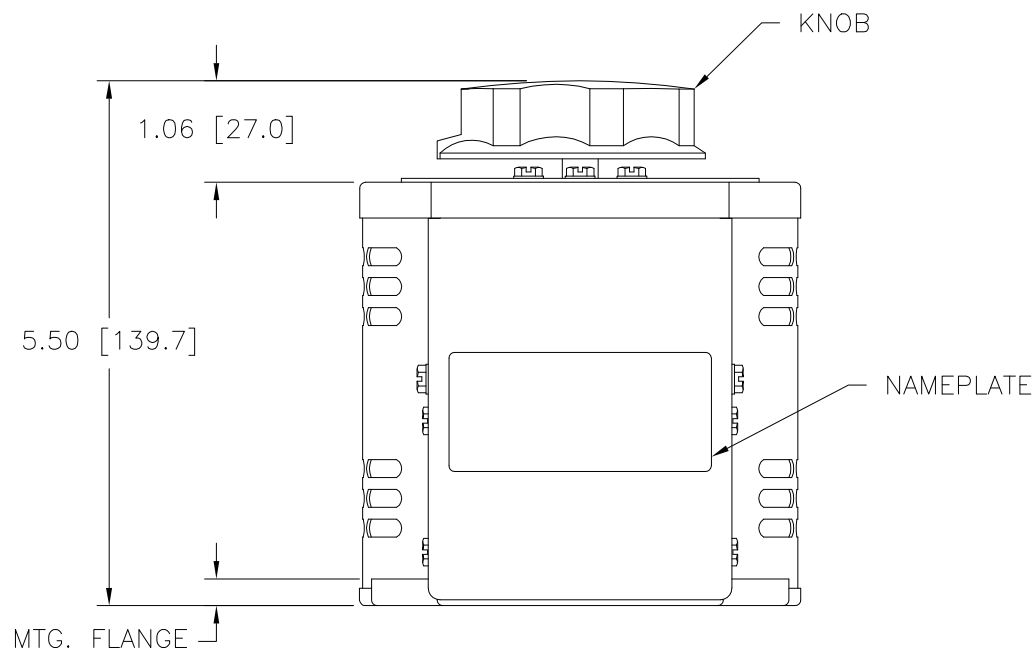
Email & Skype: info@chipsmall.com Web: www.chipsmall.com

Address: A1208, Overseas Decoration Building, #122 Zhenhua RD., Futian, Shenzhen, China






.88 [22.2] DIA. KNOCKOUT
(3) PLACES FOR
WIRING CONNECTIONS



SCHMATIC
VIEW FROM BASE END
FUSE RECOMMENDED BUT NOT SUPPLIED

SPECIFICATIONS											
WIRING	INPUT		OUTPUT				SHAFT ROTATION TO INCREASE VOLTAGE	TERMINAL CONNECTIONS			
	VOLTS	HERTZ	VOLTS	CONSTANT CURRENT LOAD	CONSTANT IMPEDANCE LOAD	FOR INCREASING VOLTAGE AS VIEWED FROM BASE END		INPUT	JUMPER	OUTPUT	
SINGLE PHASE	240	60	0-240	MAX. AMPS	MAX. KVA	MAX. AMPS	MAX. KVA	CW CCW	1-4	1-4	4-3 1-3
				5.0	1.20	7.0	1.68				
<small>UNLESS OTHERWISE SPECIFIED, TOLERANCE IS ±</small> <small>DECIMALS HOLES ANGLES DRAFT</small> <small>.XX .0000 .06 .002 1° 1-1/2°</small> <small>XXX .005</small> <small>MATERIAL: ALL DIMENSIONS APPLY AFTER PLATING</small> <small>UNITS IN [mm]</small> <small>SCALE DWG.</small> <small>DO NOT SCALE DWG.</small> <small>WGT APPROX. 10.25 LBS</small> <small>CAGE CODE 83008</small> <small>SCALE 1=1</small> <small>SHEET 1 OF 1</small> <small>THE INFORMATION AND DESIGN DISCLOSED HEREIN WAS ORIGINATED BY AND IS THE PROPERTY OF STACO ENERGY PRODUCTS CO., WHICH RESERVES ALL PATENT, PROPRIETARY, DESIGN, MANUFACTURING, REPRODUCTION, USE AND SALE RIGHTS THEREIN, AND TO ANY ARTICLE DISCLOSED THEREIN EXCEPT TO THE EXTENT RIGHTS ARE EXPRESSLY GRANTED TO OTHERS. THE FOREGOING DOES NOT APPLY TO VENDOR PROPRIETARY PARTS.</small>											
<small>TITLE: SPEC. CONTROL DRAWING</small> <small>VARIABLE TRANSFORMER</small> <small>MODEL: 1220BCT</small>								 <small>A Components Corporation of America Company</small> <small>302 Gadsden Boulevard Dayton, Ohio 45403 USA</small>			
DRAWN BY	DATE	FIRST USED ON	DO NOT SCALE DWG.	DWG. NO.							
S.A. SMITH	9/26/97			031-3306							
CHECKER	DATE	SCALE									
ENGINEER	DATE										