



Chipsmall Limited consists of a professional team with an average of over 10 year of expertise in the distribution of electronic components. Based in Hongkong, we have already established firm and mutual-benefit business relationships with customers from,Europe,America and south Asia,supplying obsolete and hard-to-find components to meet their specific needs.

With the principle of “Quality Parts,Customers Priority,Honest Operation,and Considerate Service”,our business mainly focus on the distribution of electronic components. Line cards we deal with include Microchip,ALPS,ROHM,Xilinx,Pulse,ON,Everlight and Freescale. Main products comprise IC,Modules,Potentiometer,IC Socket,Relay,Connector.Our parts cover such applications as commercial,industrial, and automotives areas.

We are looking forward to setting up business relationship with you and hope to provide you with the best service and solution. Let us make a better world for our industry!



Contact us

Tel: +86-755-8981 8866 Fax: +86-755-8427 6832

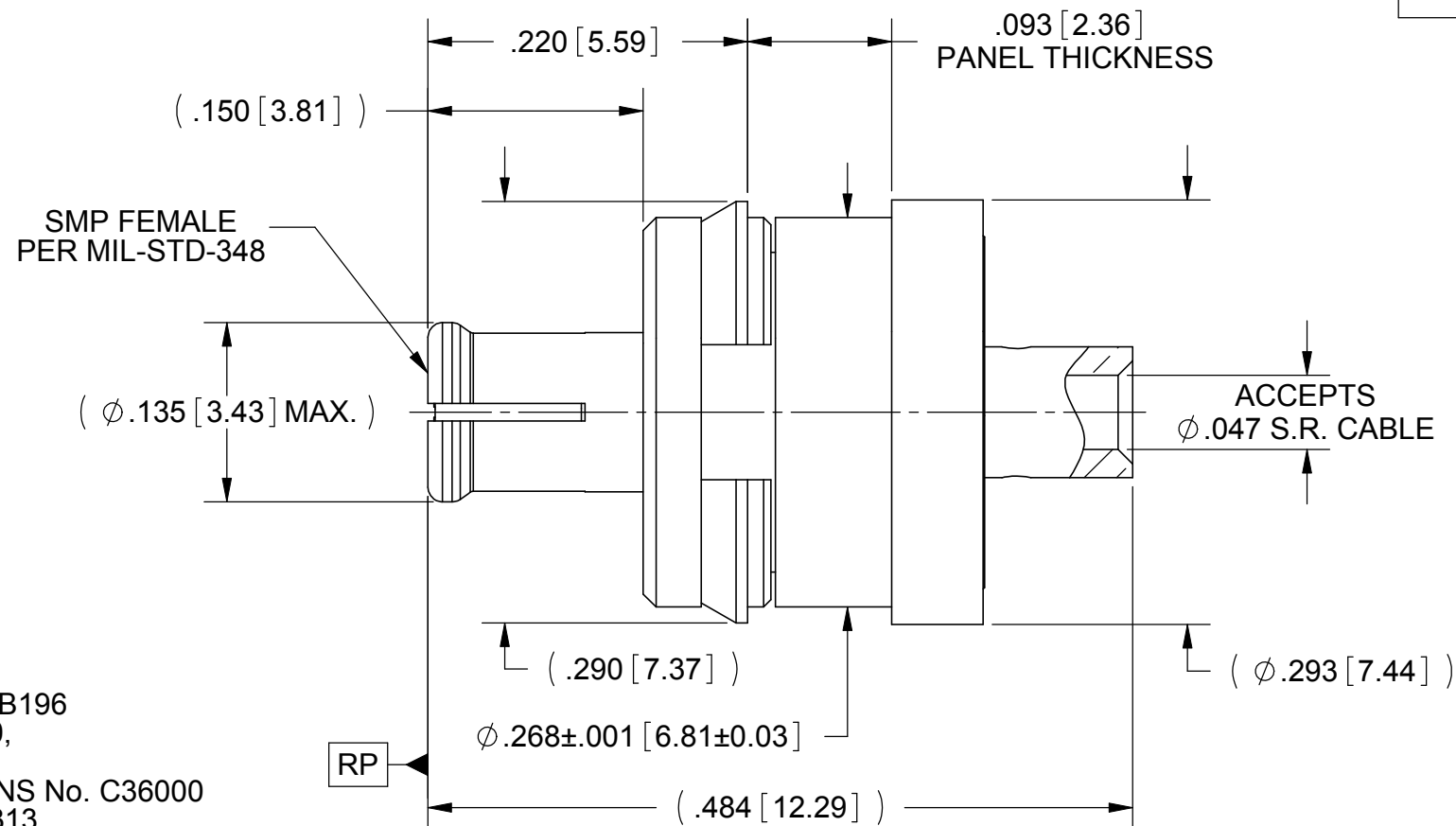
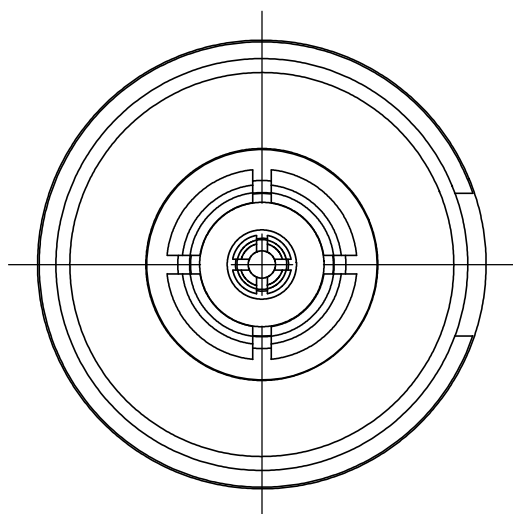
Email & Skype: info@chipsmall.com Web: www.chipsmall.com

Address: A1208, Overseas Decoration Building, #122 Zhenhua RD., Futian, Shenzhen, China



PRODUCT DATA DRAWING

REVISION HISTORY			
REV	DESCRIPTION	DATE	APPROVED
-	DCN 35561	12/07	STW
A	DCN 37782	09/10	PJS



MATERIALS:

BODIES, CONTACT & SPRING CLIP: BERYLLIUM COPPER PER ASTM B196
 SLEEVE & INSERT: STAINLESS STEEL PER AMS 5640, ALLOY No. UNS S30300, TYPE 1
 BRASS PER ASTM B16, ALLOY UNS No. C36000
 BUSHING: STAINLESS STEEL PER ASTM A313
 SPRING: PTFE PER ASTM D1710
 INSULATOR: TORLON 4203
 DIELECTRIC SPACER: AMS-DTL-23053 (NOT SHOWN)
 HEAT SHRINK TUBING:

FINISHES:

BODIES, CONTACT & SPRING CLIP: GOLD PER ASTM B488, TYPE II GRADE C, CLASS 1.27, OVER NICKEL PER AMS-QQ-N-290, CLASS 1
 BUSHING: NICKEL PER AMS-QQ-N-290, CLASS 2
 SLEEVE, INSERT & SPRING: PASSIVATED PER AMS 2700

ELECTRICAL:

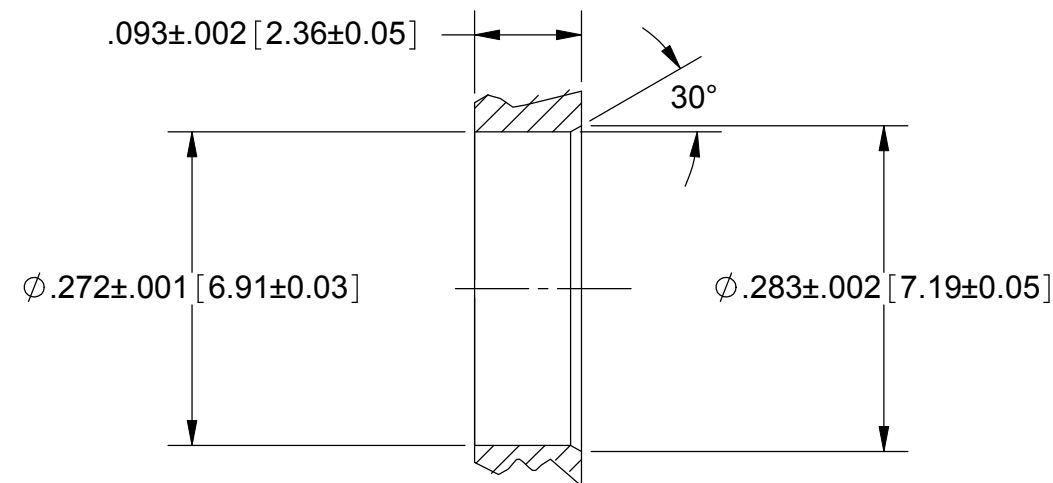
IMPEDANCE: 50 OHMS
 FREQ. RANGE: DC TO 40.0 GHZ
 VSWR: 1.15:1 DC TO 18.0 GHZ.
 1.25:1 DC TO 26.5 GHZ.
 INSERTION LOSS: 0.25 dB MAX.
 D.W.V.: 500 VRMS
 INSULATION RES.: 5,000 MEGOHMS MINIMUM

FLOAT:

AXIAL FLOAT: .040 INCH
 RADIAL FLOAT: .020 INCH

SPRING FORCE:

SPRING RATE: 39 LBS/INCH NOM.
 PRE-LOAD: 0.81 LBS NOM.
 .035" COMPRESSION: 2.15 LBS NOM.
 .125" COMPRESSION: 5.6 LBS NOM.



RECOMMENDED MOUNTING HOLE

MATERIAL: SEE NOTES	DIMENSIONS ARE IN INCHES TOLERANCES: FRACTIONAL: ±1/64 ANGULAR: X° ±1'0" X"X' ±15'	UNLESS OTHERWISE SPECIFIED 1) ALL DIMENSIONS ARE IN INCHES (MILLIMETERS) 2) ALL DIMENSIONS ARE AFTER PLATING 3) BREAK CORNERS & EDGES .005 R. MAX. 4) CHAM. 1ST & LAST THREADS. 5) SURFACE ROUGHNESS 63-MIL-STD-10. 6) DIA. 'S ON COMMON CENTERS TO BE CONCENTRIC WITHIN .005 T.I.R. 7) REMOVE ALL BURRS	SV Microwave, Inc. 2400 Centrepark West Drive, Suite 100 West Palm Beach, FL 33409
FINISH: SEE NOTES	DECIMAL: X ±.030 .XX ±.010 .XXX ±.005	INTERPRET DIMENSIONS AND TOLERANCES PER ASME Y14.5M - 1994	TITLE: SMP FEMALE, FLOAT MOUNT FOR S.R. φ.047, φ.093" PANEL THK.
SURFACE AREA: N/A	THIRD ANGLE PROJECTION	DRAWN: HLP 12/17/07 CHECKED: STW 12/17/0 APPROVED: STW 12/17/0	SIZE: B CAGE CODE: 95077 DWG. NO. 1221-6001
PROPRIETARY THE INFORMATION CONTAINED IN THIS DRAWING IS THE SOLE PROPERTY OF SV MICROWAVE, INC. ANY REPRODUCTION IN PART OR AS A WHOLE WITHOUT THE WRITTEN PERMISSION OF SV MICROWAVE, INC IS PROHIBITED.			SCALE: 8:1 SHEET 1 OF 1