



Chipsmall Limited consists of a professional team with an average of over 10 year of expertise in the distribution of electronic components. Based in Hongkong, we have already established firm and mutual-benefit business relationships with customers from,Europe,America and south Asia,supplying obsolete and hard-to-find components to meet their specific needs.

With the principle of “Quality Parts,Customers Priority,Honest Operation,and Considerate Service”,our business mainly focus on the distribution of electronic components. Line cards we deal with include Microchip,ALPS,ROHM,Xilinx,Pulse,ON,Everlight and Freescale. Main products comprise IC,Modules,Potentiometer,IC Socket,Relay,Connector.Our parts cover such applications as commercial,industrial, and automotives areas.

We are looking forward to setting up business relationship with you and hope to provide you with the best service and solution. Let us make a better world for our industry!



## Contact us

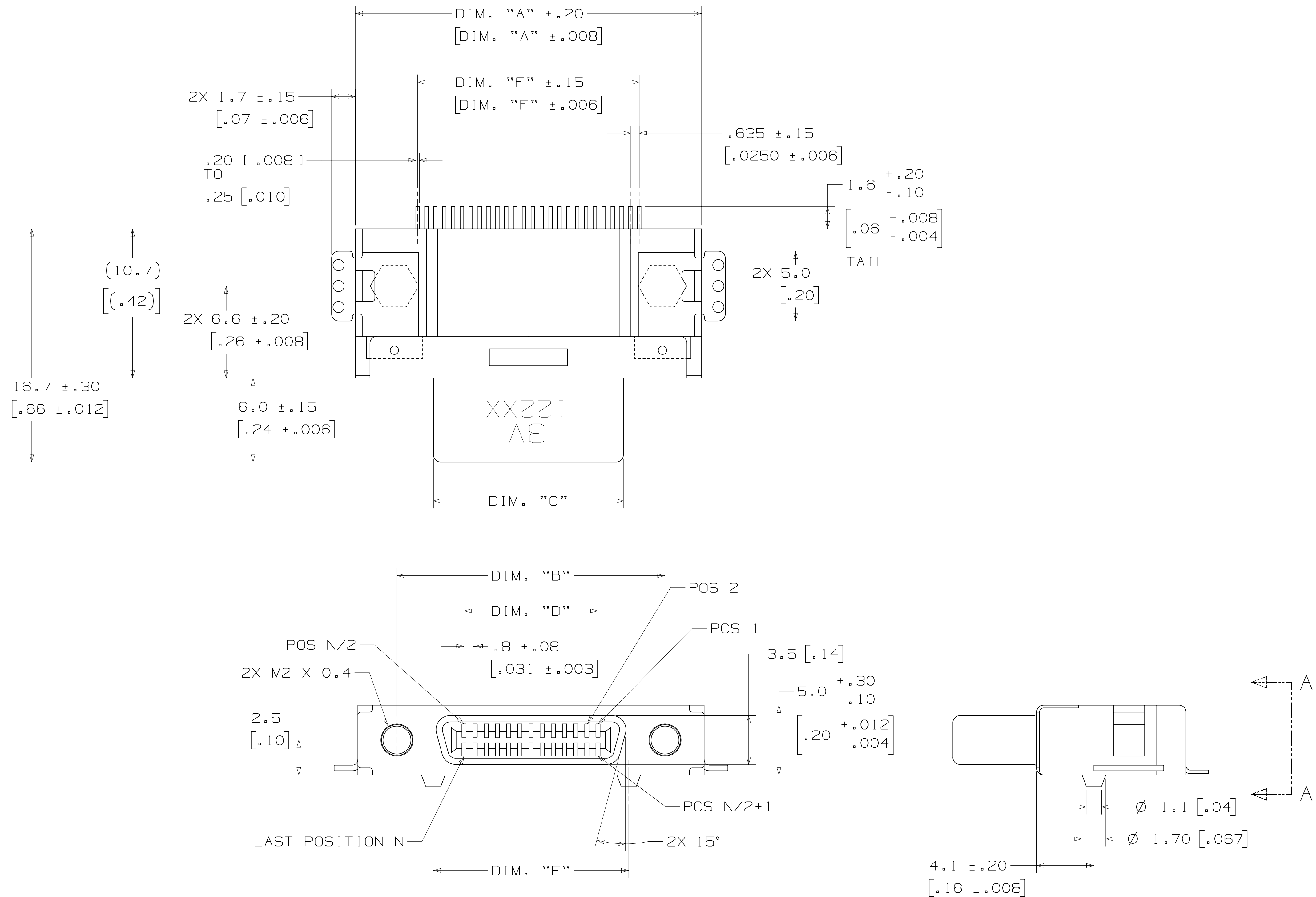
Tel: +86-755-8981 8866 Fax: +86-755-8427 6832

Email & Skype: info@chipsmall.com Web: www.chipsmall.com

Address: A1208, Overseas Decoration Building, #122 Zhenhua RD., Futian, Shenzhen, China



3M™ Shrunk Delta Ribbon (SDR) Connectors, 122 Series  
 .80 mm Surface Mount, Right Angle Receptacle, Shielded



POSITION	DIM. "A"	DIM. "B"	DIM. "C"	DIM. "D"	DIM. "E"	DIM. "F"	DIM. "G"
14	20.0 [.79]	14.4 [.57]	8.8 [.35]	4.8 [.19]	9.2 [.36]	8.255 [.3250]	19.0 [.75]
26	24.8 [.98]	19.2 [.76]	13.6 [.54]	9.6 [.38]	14.0 [.55]	15.875 [.6250]	23.8 [.94]

CONNECTOR DIMENSION TABLE  
TABLE 1

NOTES

- MATERIAL:  
 INSULATION: 14 PIN: PPS, 26 PIN: LCP  
 COLOR: BLACK, UL94V-0  
 CONTACT: COPPER ALLOY  
 PLATING:  
 SEE ORDERING INFO SHEET 2  
 SHROUD & LATCH HOOK: STEEL  
 PLATING: NICKEL  
 GROUND LOCK: COPPER ALLOY  
 PLATING: SEMI-BRIGHT TIN OVER NICKEL  
 LOCK SCREW: STEEL  
 PLATING: NICKEL  
 ALIGNMENT PLATE: PPS  
 COLOR: BLACK, UL94V-0  
 EARTH PLATE: COPPER ALLOY  
 PLATING: TIN  
 HEX NUT: BRASS
- MARKING: 3M LOGO AND PART NUMBER.
- ELECTRICAL:  
 CURRENT RATING: 0.5 A  
 INSULATION RESISTANCE: 500 MΩ MIN AT 250 V<sub>DC</sub>  
 WITHSTANDING VOLTAGE: 350 V<sub>AC</sub> FOR 1 MINUTE
- ENVIRONMENTAL:  
 TEMPERATURE RATING:  
 -40°C TO +70°C  
 PROCESS RATING:  
 REFLOW: PREHEAT 150° TO 180°C,  
 90 TO 120 SECONDS  
 SOLDERING: OVER 220°C,  
 30 TO 60 SECONDS, PEAK TEMPERATURE  
 IS 250°C MAX.  
 SOLDER IRON: 380°C MAX, 3 SECONDS MAX.
- IN THE EVENT OF CONFLICT BETWEEN THIS DATA AND THAT CONTAINED IN THE PRODUCT SPECIFICATION, THE PRODUCT SPECIFICATION TAKES PRECEDENT.
- FOR VARIOUS PANEL THICKNESS JACKSOCKETS REFER TO TS-0142.
- SEE REGULATORY INFORMATION APPENDIX (RIA) IN THE "RoHS COMPLIANCE" SECTION OF WWW.3MCONNECTOR.COM FOR COMPLIANCE INFORMATION.

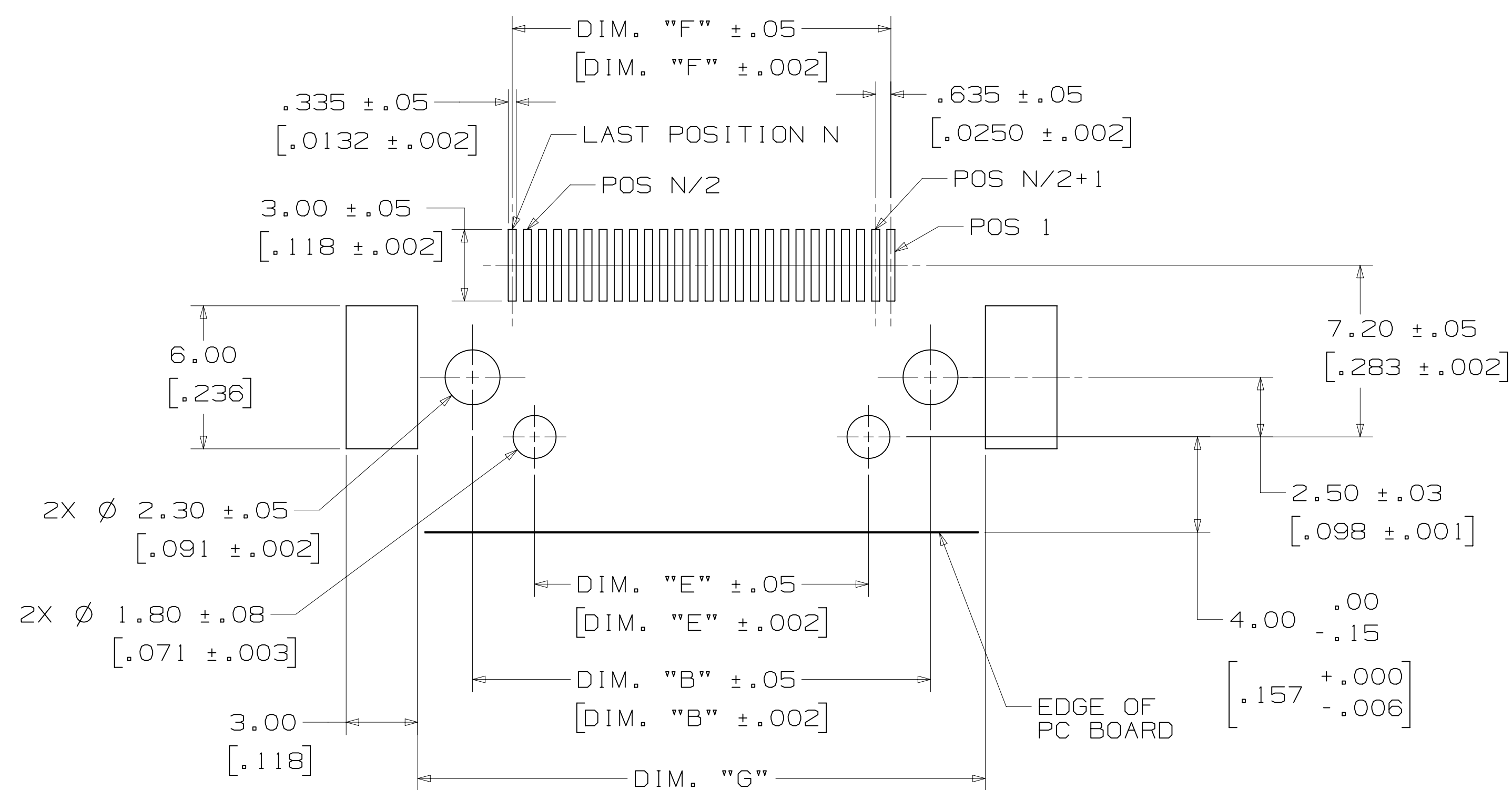
DIMENSIONS ARE IN MM.  
 SECONDARY ARE IN [ INCHES ]  
 AND ARE FOR REFERENCE ONLY

DESIGN REFERENCE	NEXT ASSEMBLY	REV	ECO	ISSUE DATE AND DESCRIPTION	DRFT	CHKD
		1		JAN 07, 2011		
DIVISION CODE Interconnect Solutions ISD		DIVISION CODE MFG DATE JAN 07, 2011 DATE MAR 30, 2011		DATE MAR 30, 2011		
DO NOT SCALE DRAWING		SCALE 6-1		TOLERANCES EXCEPT AS NOTED		
THIRD ANGLE PROJECTION		INCHES .00 ±.006 .000 ±.006 .0000 ±.005		MILLIMETERS 0 ± .0 ±.15 .00 ±.15 .000 ±.13		
INTERPRET PER ASME Y14.5 - 1994		MAX SURFACE ROUGHNESS SURFACES MARKED ONLY		TITLE 3M SHRUNK DELTA RIBBON (SDR) CONN. 122XX-82X0-00XX		
CAGE NUMBER D12200		DRAWING NO. D78-5100-2125-2		REV. F		

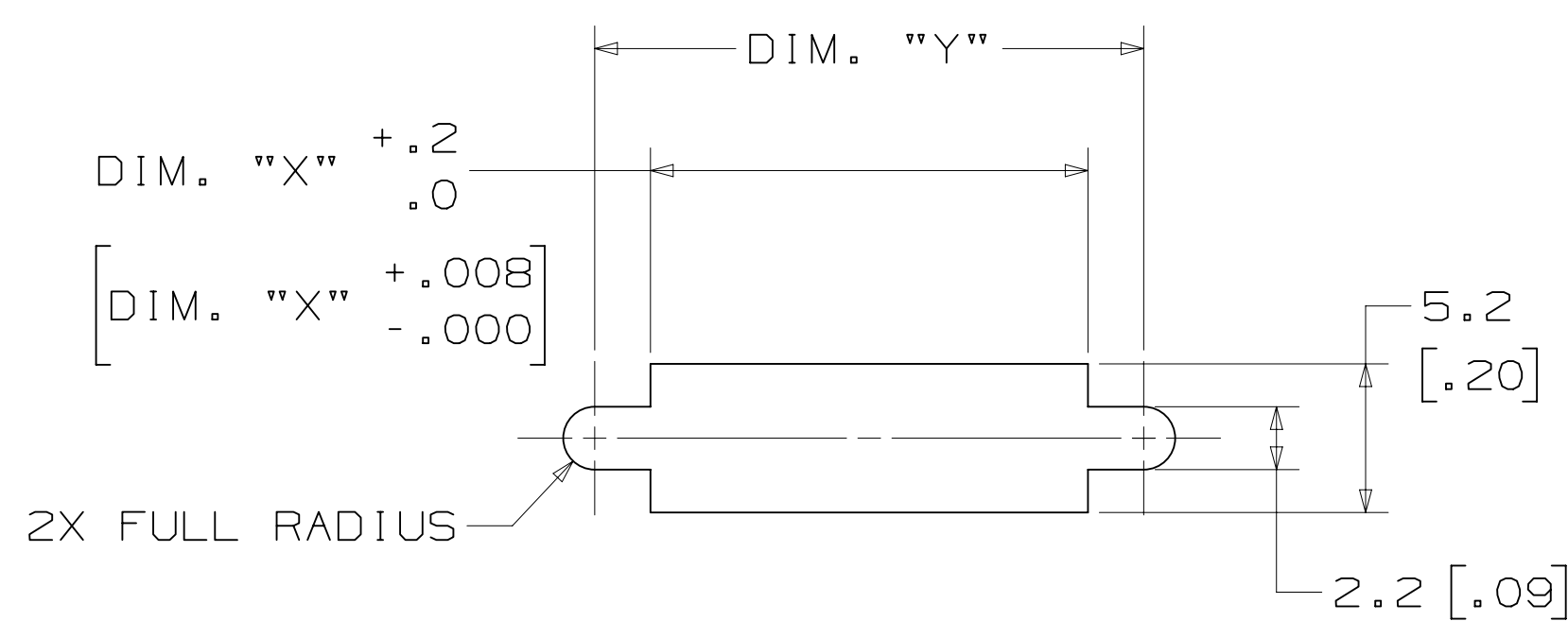


178-5100-2125-2  
 DRAWING NUMBER  
 REVISION

3M™ Shrunk Delta Ribbon (SDR) Connectors, 122 Series  
 .80 mm Surface Mount, Right Angle Receptacle, Shielded



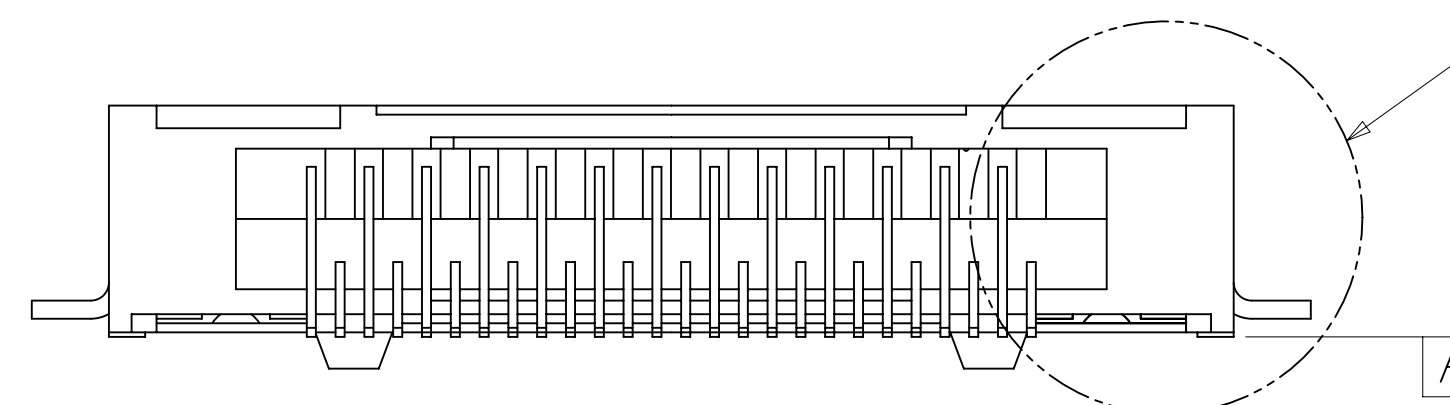
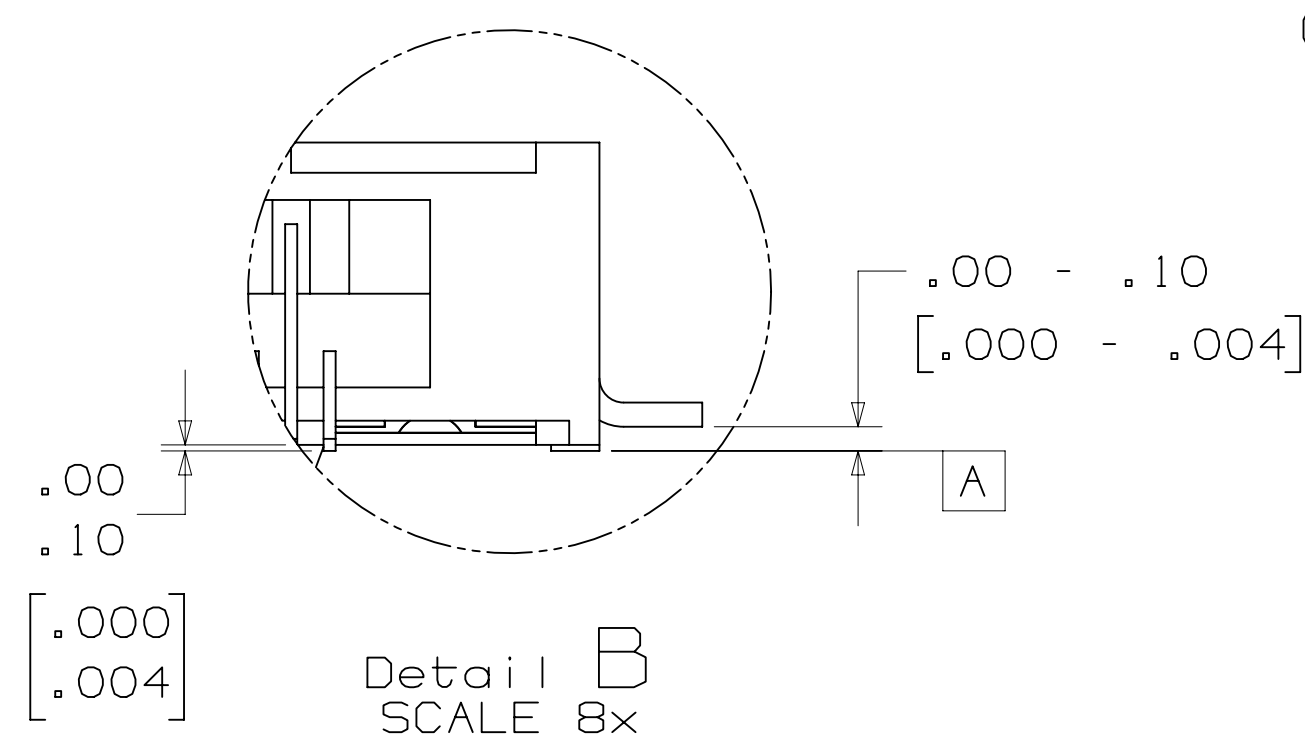
RECOMMENDED PC BOARD LAYOUT  
 (MOUNT SIDE VIEW)  
 N = TOTAL NUMBER OF POSITIONS  
 SCALE 6X



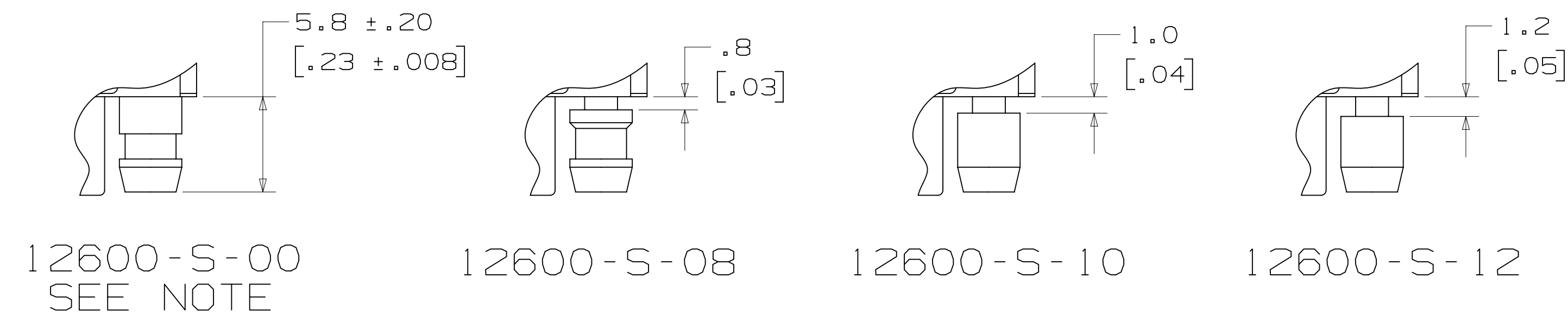
RECOMMENDED PANEL CUT-OUT  
 (MAXIMUM PANEL THICKNESS 1.2MM)

POSITION	DIM. "X"	DIM. "Y"
14	10.5 [.41]	14.4 [.57]
26	15.3 [.60]	19.2 [.76]

RECOMMENDED PANEL CUT-OUT DIMENSION TABLE  
 TABLE 2



THE DIMENSION OF PIN TAILS LOWER SURFACE TO DATUM "A" SURFACE: 0.00 TO 0.10 [.000 TO .004].  
 NOTE: THE CONNECTOR SHOULD BE ON FLAT FIXTURE SURFACE WHEN THE DIMENSIONS ARE MEASURED.



JACKSOCKET  
 M2 X 0.4

NOTE: JACKSOCKET 12600-S-00 COMES FACTORY INSTALLED IN CONNECTOR 122XX-8250-00FR. IT IS FIXED WITH THREAD LOCKING ADHESIVE AND CANNOT BE REMOVED.

PANEL THICKNESS	CONNECTOR	JACKSOCKET
NO PANEL	122XX-8250-00XX	FACTORY INSTALLED (SEE NOTE)
0.8±0.1MM	122XX-8200-00XX	12600-S-08 (ORDER SEPARATELY)
1.0±0.1MM	122XX-8200-00XX	12600-S-10 (ORDER SEPARATELY)
1.2±0.1MM	122XX-8200-00XX	12600-S-12 (ORDER SEPARATELY)

SELECTION TABLE FOR PANEL MOUNTING  
 TABLE 3

ORDERING INFORMATION:  
 122XX-82X0-00XX

CONTACT QUANTITY (SEE TABLE 1)

PLATING OPTION:

FR = 50-100µ" NICKEL UNDERPLATE  
 30µ" GOLD MIN. WIPE AREA  
 FLASH GOLD TERM AREA (TAIL)

PL = 50-100µ" NICKEL UNDERPLATE  
 8µ" GOLD MIN. WIPE AREA  
 FLASH GOLD TERM AREA (TAIL)

SCREW LOCK OPTION: (SEE TABLE 3)

0=NONE  
 (RIA E1 & C1 APPLY)  
 5=WITH 12600-S-00 NON-REMOVABLE SCREW LOCK  
 (RIA E5 & C3 APPLY)

DESIGN REFERENCE	NEXT ASSEMBLY	REV	ECO	ISSUE DATE AND DESCRIPTION	DRFT	CHKD
DIVISION: Interconnect Solutions		DATE: JAN 07, 2011		DATE: MAR 30, 2011		
SCALE: 4/1		DIVISION CODE: ISD		MFG: DATE		
DRAWING: DO NOT SCALE		TOLERANCES EXCEPT AS NOTED		3M Center St. Paul, MN 55144		
THIRD ANGLE PROJECTION		INCHES: .00 ±.006, .000 ±.006, .0000 ±.005		3M logo and copyright notice		
INTERPRET PER ASME Y14.5 - 1994		MILLIMETERS: 0 ±, .0 ±.15, .00 ±.15		TITLE: 3M SHRUNK DELTA RIBBON (SDR) CONN. 122XX-82X0-00XX		
MAX SURFACE ROUGHNESS: .000 SURFACES		MARKED ONLY		CAGE NUMBER: D 78-5100-2125-2		
				MODEL: 12200		

178-5100-2125-2

DRAWING NUMBER

REVISION

REV. DATE

REV. DATE