



Chipsmall Limited consists of a professional team with an average of over 10 year of expertise in the distribution of electronic components. Based in Hongkong, we have already established firm and mutual-benefit business relationships with customers from,Europe,America and south Asia,supplying obsolete and hard-to-find components to meet their specific needs.

With the principle of “Quality Parts,Customers Priority,Honest Operation,and Considerate Service”,our business mainly focus on the distribution of electronic components. Line cards we deal with include Microchip,ALPS,ROHM,Xilinx,Pulse,ON,Everlight and Freescale. Main products comprise IC,Modules,Potentiometer,IC Socket,Relay,Connector.Our parts cover such applications as commercial,industrial, and automotives areas.

We are looking forward to setting up business relationship with you and hope to provide you with the best service and solution. Let us make a better world for our industry!



## Contact us

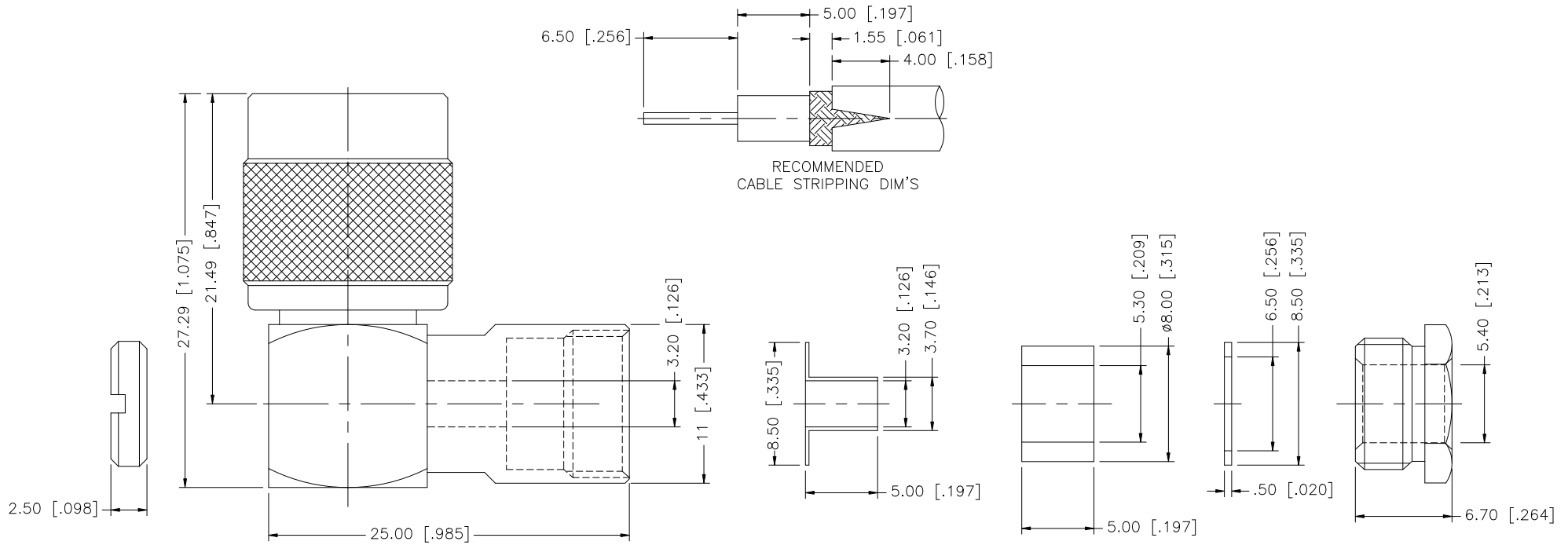
Tel: +86-755-8981 8866 Fax: +86-755-8427 6832

Email & Skype: info@chipsmall.com Web: www.chipsmall.com

Address: A1208, Overseas Decoration Building, #122 Zhenhua RD., Futian, Shenzhen, China



REV.	DATE	DESCRIPTION
NC	09/29/99	INITIAL RELEASE
A	10/10/07	UPDATE DRAWING FORMAT



QTY	DESCRIPTION	MATERIAL	FINISH
8	COVER	BRASS	NICKEL
7	HEX NUT	BRASS	NICKEL
6	WASHER	BRASS	NICKEL
5	GASKET	SILICONE	RED
4	TOP HAT	BRASS	NICKEL
3	CONTACT PIN	BRASS	GOLD
2	INSULATOR	DELTRIN	NATURAL
1	BODY	BRASS	NICKEL

UNLESS OTHERWISE SPECIFIED DIMENSIONS ARE IN MILLIMETERS. DIMENSIONS IN [ ] ARE IN INCHES AND FOR CUSTOMER REFERENCE ONLY.

UNLESS OTHERWISE SPECIFIED TOLERANCES FOR MILLIMETERS ARE:  
0.5 - 8mm ± 0.20mm  
8 - 30mm ± 0.40mm  
30 - 120mm ± 0.50mm

UNLESS OTHERWISE SPECIFIED TOLERANCES FOR INCHES ARE:  
.020 - .315 ± 0.007"  
.315 - 1.180 ± 0.015"  
1.180 - 4.724 ± 0.020"

DO NOT SCALE DRAWING

APPROVALS	DATE
DRAWN G.R.S.	10/10/07
CHECKED	
ISSUED	
SHEET 1 OF 1	
CAD FILE	C:/122/122286.DWG

**Amphenol Connex**

PART DESCRIPTION  
**TNC R/A CLAMP PLUG**  
**(FOR RG58/U, 141/U, 223/U, 142/U, 400/U CABLE)**

PART NO.  
**122286**

DWG. NO.	122286.DWG	REV.	A	SIZE	A	SCALE	NA
----------	------------	------	---	------	---	-------	----