



Chipsmall Limited consists of a professional team with an average of over 10 year of expertise in the distribution of electronic components. Based in Hongkong, we have already established firm and mutual-benefit business relationships with customers from,Europe,America and south Asia,supplying obsolete and hard-to-find components to meet their specific needs.

With the principle of “Quality Parts,Customers Priority,Honest Operation,and Considerate Service”,our business mainly focus on the distribution of electronic components. Line cards we deal with include Microchip,ALPS,ROHM,Xilinx,Pulse,ON,Everlight and Freescale. Main products comprise IC,Modules,Potentiometer,IC Socket,Relay,Connector.Our parts cover such applications as commercial,industrial, and automotives areas.

We are looking forward to setting up business relationship with you and hope to provide you with the best service and solution. Let us make a better world for our industry!



Contact us

Tel: +86-755-8981 8866 Fax: +86-755-8427 6832

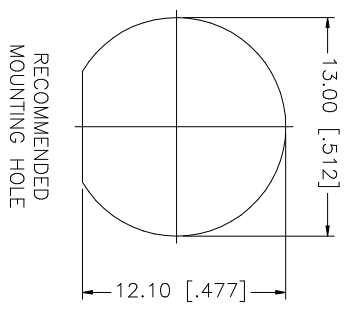
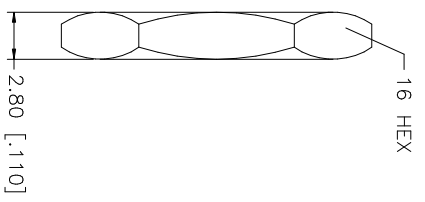
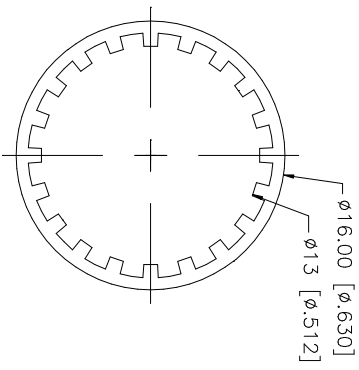
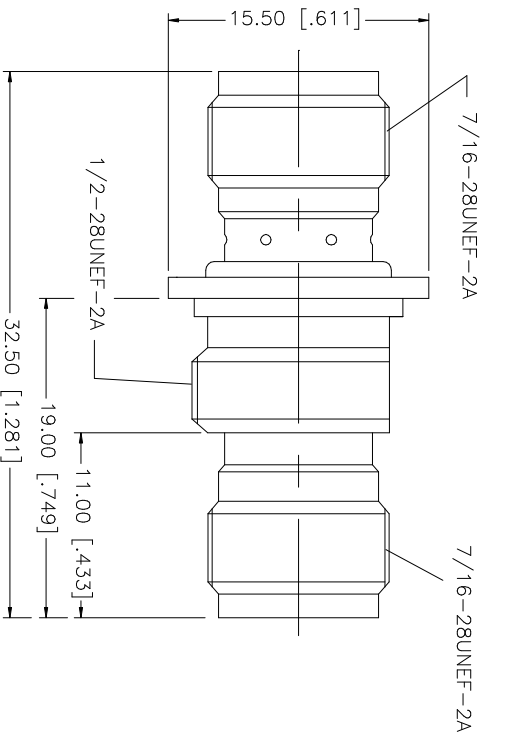
Email & Skype: info@chipsmall.com Web: www.chipsmall.com

Address: A1208, Overseas Decoration Building, #122 Zhenhua RD., Futian, Shenzhen, China



REV.	DATE
NC	05/31/06

DESCRIPTION
INITIAL RELEASE



NO.	DESCRIPTION	MATERIAL	FINISH	QTY
1	INSULATOR	DELFIN	NATURAL	2
2	CONTACT PIN	PHOS. BRONZE	GOLD	1
3	LOCK WASHER	BRASS	NICKEL	1
4	HEX NUT	BRASS	NICKEL	1
5	INSULATOR	DELFIN	NATURAL	2
6	BODY	BRASS	NICKEL	1
7	DESCRIPTION	MATERIAL	FINISH	QTY
8	UNLESS OTHERWISE SPECIFIED DIMENSIONS ARE IN MILLIMETERS. DIMENSIONS IN [] ARE IN INCHES AND FOR SUBSTITUTED REFERENCE ONLY. TOLERANCES FOR MILLIMETERS ARE: 0.5 - 8mm ± 0.20mm 8 - 30mm ± 0.40mm 30 - 120mm ± 0.50mm UNLESS OTHERWISE SPECIFIED TOLERANCES FOR INCHES ARE: .020 - .315 = ± 0.007" .315 - 1.180 = ± 0.015" 1.180 - 4.724 = ± 0.020"			
DO NOT SCALE DRAWING				
APPROVALS		DATE		
DRAWN G.R.S.		05/31/06		
CHECKED				
ISSUED				
SHEET 1 OF 1				
PART NO.		122346		
DWG. NO.		122346.DWG		
REV.		NC		
SIZE		A		
SCALE		NA		

Amphenol Connex

TNC FEMALE TO FEMALE BULKHEAD ISOLATED ADAPTER