



Chipsmall Limited consists of a professional team with an average of over 10 year of expertise in the distribution of electronic components. Based in Hongkong, we have already established firm and mutual-benefit business relationships with customers from,Europe,America and south Asia,supplying obsolete and hard-to-find components to meet their specific needs.

With the principle of “Quality Parts,Customers Priority,Honest Operation,and Considerate Service”,our business mainly focus on the distribution of electronic components. Line cards we deal with include Microchip,ALPS,ROHM,Xilinx,Pulse,ON,Everlight and Freescale. Main products comprise IC,Modules,Potentiometer,IC Socket,Relay,Connector.Our parts cover such applications as commercial,industrial, and automotives areas.

We are looking forward to setting up business relationship with you and hope to provide you with the best service and solution. Let us make a better world for our industry!



Contact us

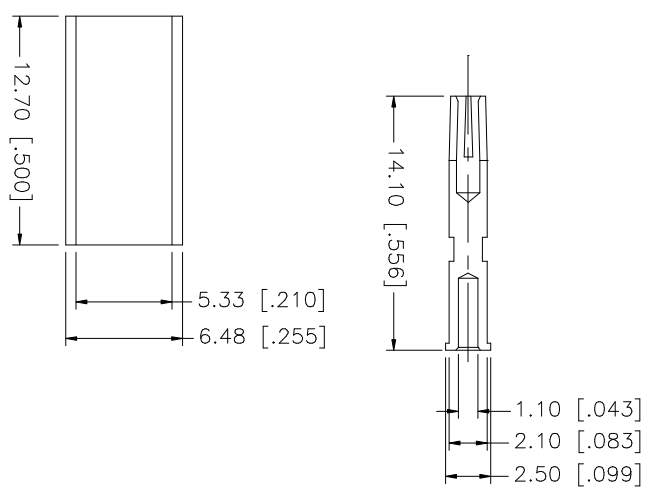
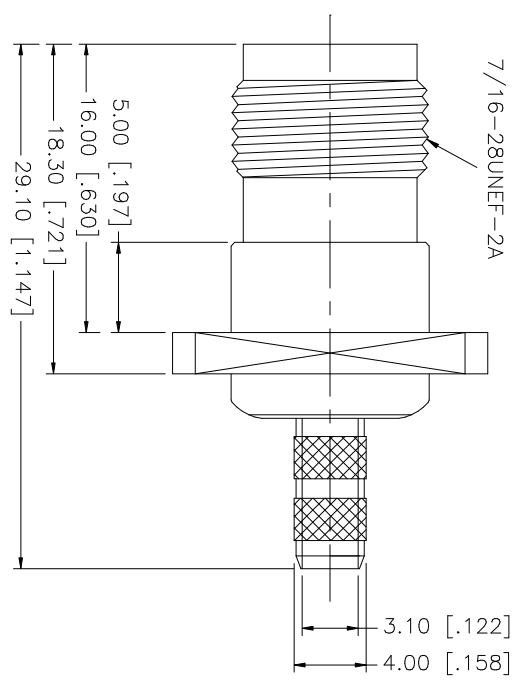
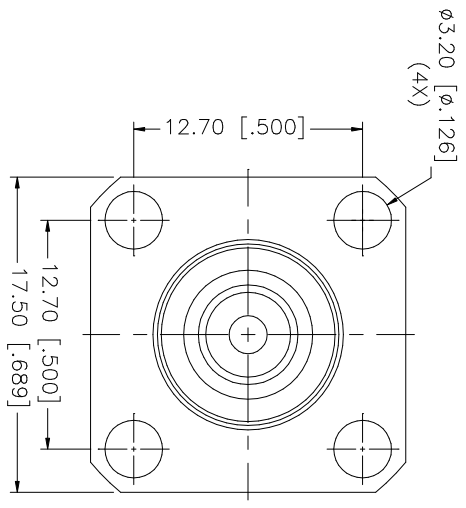
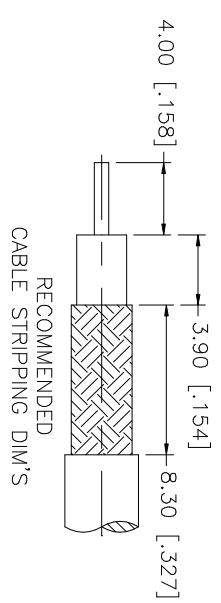
Tel: +86-755-8981 8866 Fax: +86-755-8427 6832

Email & Skype: info@chipsmall.com Web: www.chipsmall.com

Address: A1208, Overseas Decoration Building, #122 Zhenhua RD., Futian, Shenzhen, China



REV.	DATE	DESCRIPTION
NC	07/19/99	INITIAL RELEASE
A	08/07/05	UPDATE DRAWING FORMAT



8																			
7																			
6																			
5																			
4	FERRULE	COPPER	NICKEL	1															
3	CONTACT PIN	PHOS. BRONZE	GOLD	1															
2	INSULATOR	TEFLON	NATURAL	1															
1	BODY	BRASS	NICKEL	1															
DESCRIPTION		MATERIAL		FINISH		QTY													
UNLESS OTHERWISE SPECIFIED, DIMENSIONS ARE IN MILLIMETERS UNLESS INDICATED OTHERWISE IN LARGE INCHES AND FOR CUSTOMER REFERENCE ONLY.										UNLESS OTHERWISE SPECIFIED, DIMENSIONS ARE IN MILLIMETERS UNLESS INDICATED OTHERWISE IN LARGE INCHES AND FOR CUSTOMER REFERENCE ONLY.									
TOLERANCES FOR MILLIMETERS ARE:										TOLERANCES FOR MILLIMETERS ARE:									
0.5 - 8mm ± 0.20mm										0.5 - 8mm ± 0.20mm									
8 - 30mm ± 0.40mm										8 - 30mm ± 0.40mm									
30 - 120mm ± 0.50mm										30 - 120mm ± 0.50mm									
UNLESS OTHERWISE SPECIFIED, TOLERANCES FOR INCHES ARE:										UNLESS OTHERWISE SPECIFIED, TOLERANCES FOR INCHES ARE:									
.020 - .315 = ± 0.007"										.020 - .315 = ± 0.007"									
.315 - 1.180 = ± 0.015"										.315 - 1.180 = ± 0.015"									
1.180 - 4.724 = ± 0.020"										1.180 - 4.724 = ± 0.020"									
DO NOT SCALE DRAWING										DO NOT SCALE DRAWING									
APPROVALS					DATE					PART DESCRIPTION					DWG. NO.				
DRAWN G.R.S.					07/31/05					TNC CRIMP PANEL JACK (FOR RG 213/U, 142/U, 400/U CABLE)					122374				
CHECKED										PART NO.					REV. A				
ISSUED										SHEET 1 OF 1					SIZE A				
CAD FILE					C:/122/122374.DWG					SCALE					NA				

Amphenol Connex