



Chipsmall Limited consists of a professional team with an average of over 10 year of expertise in the distribution of electronic components. Based in Hongkong, we have already established firm and mutual-benefit business relationships with customers from,Europe,America and south Asia,supplying obsolete and hard-to-find components to meet their specific needs.

With the principle of “Quality Parts,Customers Priority,Honest Operation,and Considerate Service”,our business mainly focus on the distribution of electronic components. Line cards we deal with include Microchip,ALPS,ROHM,Xilinx,Pulse,ON,Everlight and Freescale. Main products comprise IC,Modules,Potentiometer,IC Socket,Relay,Connector.Our parts cover such applications as commercial,industrial, and automotives areas.

We are looking forward to setting up business relationship with you and hope to provide you with the best service and solution. Let us make a better world for our industry!



Contact us

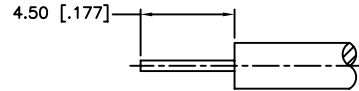
Tel: +86-755-8981 8866 Fax: +86-755-8427 6832

Email & Skype: info@chipsmall.com Web: www.chipsmall.com

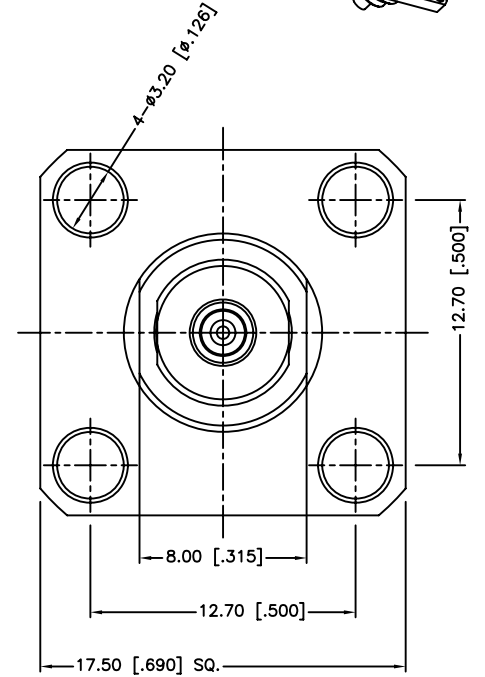
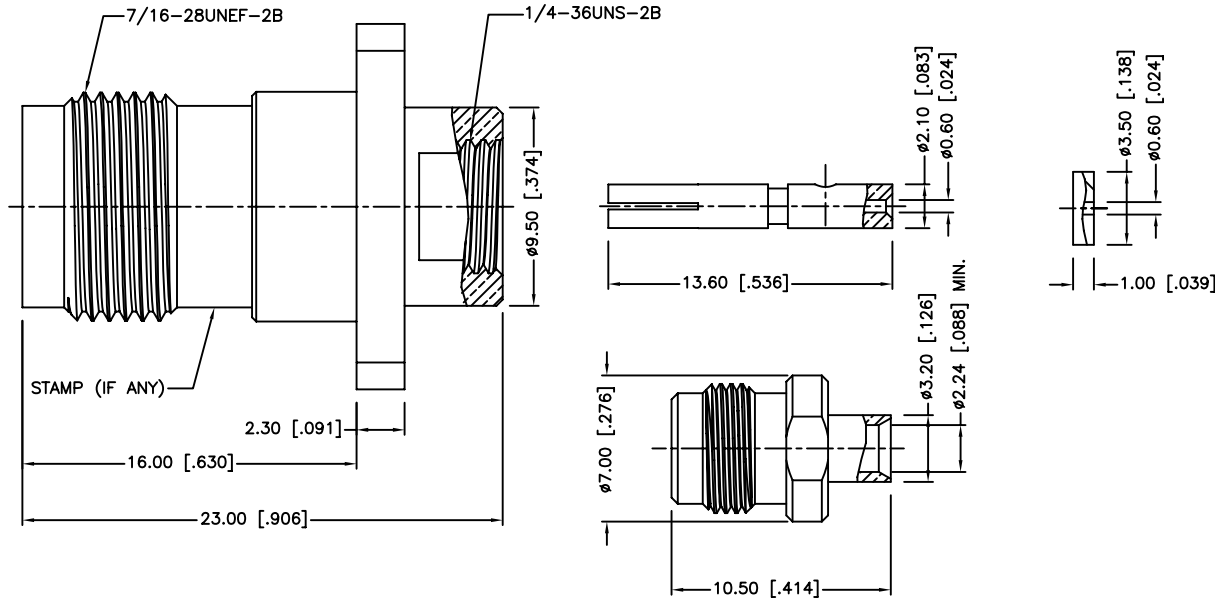
Address: A1208, Overseas Decoration Building, #122 Zhenhua RD., Futian, Shenzhen, China



REV.	DATE	ECR NO.	DESCRIPTION
NC	03/12/13	XXXXXX	INITIAL RELEASE



RECOMMENDED
CABLE STRIPPING DIM'S



NOTES:

- 1 IMPEDANCE:50 OHM
2. FREQUENCY RANGE: DC 0 – 11 GHz
3. DIELECTRIC WITHSTANDING VOLTAGE:1500 VRMS. MIN.
4. DURABILITY:500 CYCLES MIN.
5. TEMPERATURE RANGE:-65°C TO +165°C
6. CRIMPED CONTACT PIN
HEX CRIMP SIZE .068

6	SOLDER NUT	BRASS	GOLD	1
5	INSULATOR	PTFE	NATURAL	1
4	LOCK RING	BRASS	NICKEL	1
3	CONTACT PIN	PHOSPHOR BRONZE	GOLD	1
2	INSULATOR	PTFE	NATURAL	1
1	BODY	BRASS	NICKEL	1
DESCRIPTION	MATERIAL	FINISH	QTY	

UNLESS OTHERWISE SPECIFIED DIMENSIONS ARE IN MILLIMETERS. DIMENSIONS IN [] ARE IN INCHES AND FOR CUSTOMER REFERENCE ONLY.
UNLESS OTHERWISE SPECIFIED
TOLERANCES FOR MILLIMETERS ARE:
<0.5 ± 0.05mm
0.5 – 6mm ± 0.10mm
6 – 30mm ± 0.20mm
30 – 120mm ± 0.30mm
ANGLES ± 1°
UNLESS OTHERWISE SPECIFIED
TOLERANCES FOR INCHES ARE:
<.020 ± 0.002"
.020 – .236 ± 0.004"
.236 – 1.180 ± 0.007"
1.180 – 4.724 ± 0.012"
ANGLES ± 1°
DO NOT SCALE DRAWING

APPROVALS	DATE
DRAWN S.LI	03/12/13
CHECKED	
ISSUED	
SHEET 1 OF 1	
CAD FILE C:/CONNEX/122389.DWG	

Amphenol Connex			
PART DESCRIPTION TNC PANEL DIRECT SOLDER JACK (FOR .085",.086" CABLE)			
PART NO.		122389	
DWG. NO.	122389.DWG	REV. NC	SIZE A SCALE NA