



Chipsmall Limited consists of a professional team with an average of over 10 year of expertise in the distribution of electronic components. Based in Hongkong, we have already established firm and mutual-benefit business relationships with customers from,Europe,America and south Asia,supplying obsolete and hard-to-find components to meet their specific needs.

With the principle of "Quality Parts,Customers Priority,Honest Operation,and Considerate Service",our business mainly focus on the distribution of electronic components. Line cards we deal with include Microchip,ALPS,ROHM,Xilinx,Pulse,ON,Everlight and Freescale. Main products comprise IC,Modules,Potentiometer,IC Socket,Relay,Connector.Our parts cover such applications as commercial,industrial, and automotives areas.

We are looking forward to setting up business relationship with you and hope to provide you with the best service and solution. Let us make a better world for our industry!



## Contact us

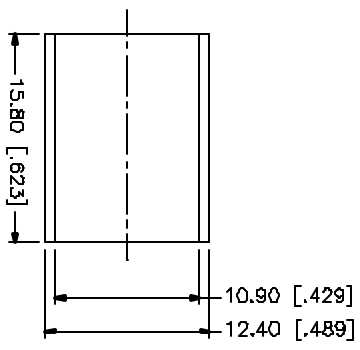
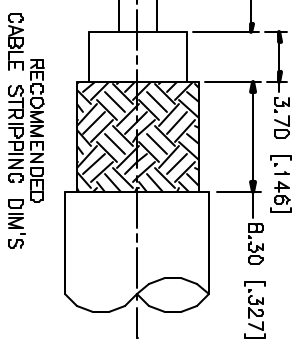
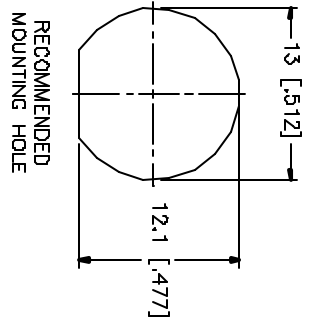
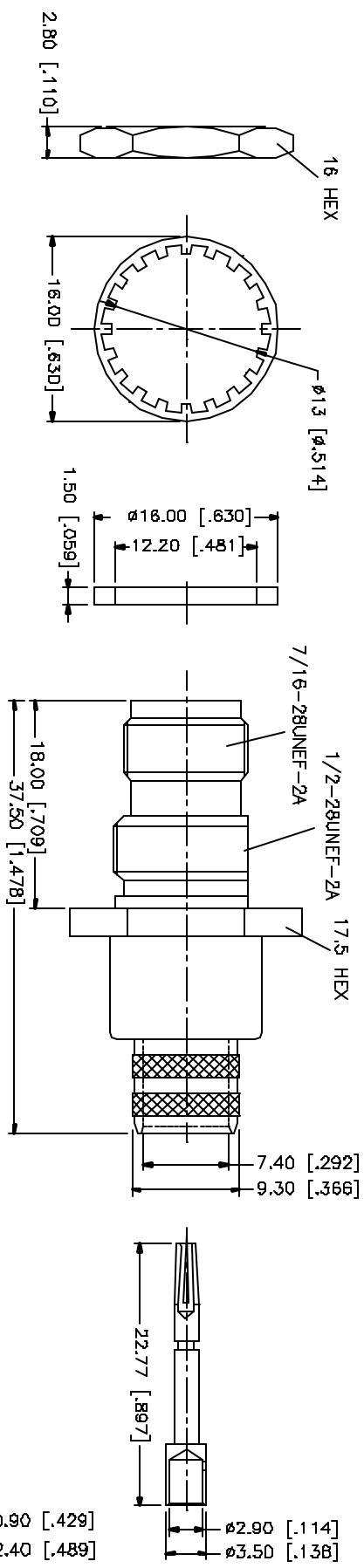
Tel: +86-755-8981 8866 Fax: +86-755-8427 6832

Email & Skype: info@chipsmall.com Web: www.chipsmall.com

Address: A1208, Overseas Decoration Building, #122 Zhenhua RD., Futian, Shenzhen, China



REV	DATE	DESCRIPTION
A	03/18/05	UPDATE DRAWING FORMAT



- CRIMP NOTES:
1. CRIMPED FERRULE  
HEX CRIMP SIZE .429"
  2. CRIMPED CONTACT PIN  
HEX CRIMP SIZE .118"

QTY	FINISH	MATERIAL	DESCRIPTION
1	NICKEL	COPPER	FERRULE
1	NICKEL	BRASS	HEX NUT
1	NICKEL	BRASS	LOCK WASHER
1	RED	SILICONE	GASKET
1	NICKEL	BRASS	BARREL
1	GOLD	PHOS. BRONZE	CONTACT PIN
1	NATURAL	TEFLON	INSULATOR
1	NICKEL	BRASS	BODY

APPROVALS	DATE
DRAWN G.R.S.	03/18/05
CHECKED	
REVISED	
SHEET 1 OF 1	

PART NO.	PART DESCRIPTION
122405	TNC BULKHEAD CRIMP JACK (FOR BELDEN 8214, 9913, 9914)

DWG. NO.	REV.	SIZE	SCALE
122405.DWG	A	A	NA

DO NOT SCALE DRAWING
UNLESS OTHERWISE SPECIFIED DIMENSIONS ARE IN MILLIMETERS (DIMENSIONS IN [ ] ARE IN INCHES AND FOR ADVISORY PURPOSES ONLY).
UNLESS OTHERWISE SPECIFIED TOLERANCES ARE:
0.5 - 30mm ± 0.20mm
30 - 120mm ± 0.30mm
UNLESS OTHERWISE SPECIFIED DIMENSIONS FOR FINISH ARE:
.020 - .315 ± 0.007"
.315 - 1.180 ± 0.015"
1.180 - 4.724 ± 0.020"

**Amphenol Connex**