



Chipsmall Limited consists of a professional team with an average of over 10 year of expertise in the distribution of electronic components. Based in Hongkong, we have already established firm and mutual-benefit business relationships with customers from,Europe,America and south Asia,supplying obsolete and hard-to-find components to meet their specific needs.

With the principle of "Quality Parts,Customers Priority,Honest Operation,and Considerate Service",our business mainly focus on the distribution of electronic components. Line cards we deal with include Microchip,ALPS,ROHM,Xilinx,Pulse,ON,Everlight and Freescale. Main products comprise IC,Modules,Potentiometer,IC Socket,Relay,Connector.Our parts cover such applications as commercial,industrial, and automotives areas.

We are looking forward to setting up business relationship with you and hope to provide you with the best service and solution. Let us make a better world for our industry!



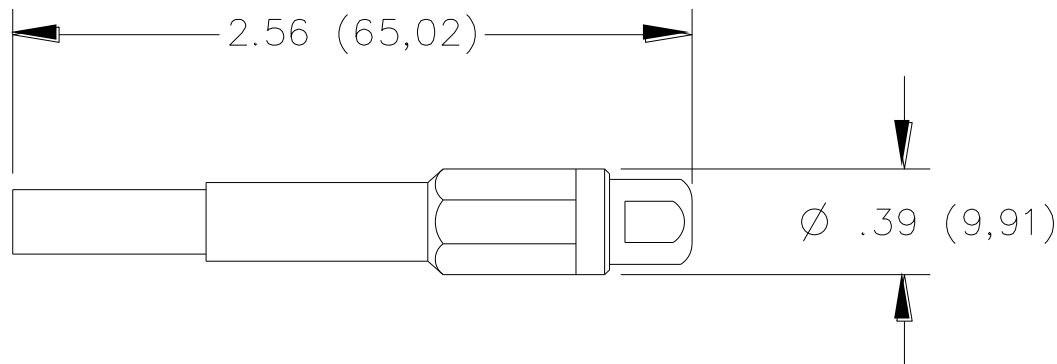
Contact us

Tel: +86-755-8981 8866 Fax: +86-755-8427 6832

Email & Skype: info@chipsmall.com Web: www.chipsmall.com

Address: A1208, Overseas Decoration Building, #122 Zhenhua RD., Futian, Shenzhen, China



Model 122505A, 122506A & Assembly Instructions
Do-It-Yourself Retractable Sheath Banana Plug**Model 122505A****Model 122506A**

Features

- Models 122505A and 122506A accepts 18 to 22 AWG wire.
- Ideal for creating a special patch cord length.
- Spring loaded retractable sheath offers versatile use in sheathed and non-sheathed style of banana jacks.

Materials

Insulation: Lucel Acetal Polymer (N127)
Contact: Nickel Plated Brass & Beryllium Copper

Ratings

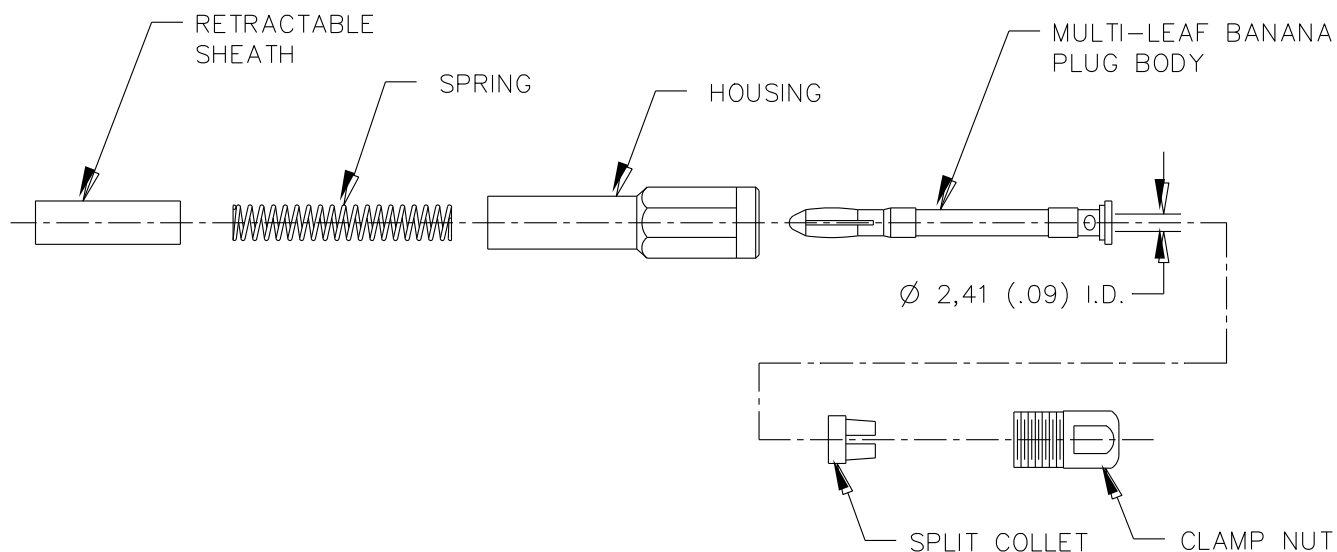
Voltage: CAT II 300V, CAT III 150V (when assembled properly)
Maximum voltage for *hands free use* in controlled testing environments: 1000V
Temperature: -10°C to +80°C (+14°F to +176°F)
Current: 20 A

Ordering Information

Model: 122505A (Color: Black)
Model: 122506A (Color: Red)

USA: Sales: 800-490-2361
Technical Support: technicalsupport@pomonatest.com
Fax: 425-446-5844
Europe: 31-(0) 40 2675 150 **International:** 425-446-5500
Where to Buy: www.pomonaelectronics.com

All dimensions are in inches. Tolerances (except noted): .xx = ±.02" (.51 mm), .xxx = ±.005" (.127 mm). All specifications are to the latest revisions. Specifications are subject to change without notice. Registered trademarks are the property of their respective companies.

**Model 122505A, 122506A & Assembly Instructions
Do-It-Yourself Retractable Sheath Banana Plug****Assembly Instructions**

1. Slide clamp nut and split collet over wire.
2. Solder wire to body.
3. Tighten clamp nut.
4. Slide spring over banana plug body.
5. Slide sheath over banana plug body until snap.