



Chipsmall Limited consists of a professional team with an average of over 10 year of expertise in the distribution of electronic components. Based in Hongkong, we have already established firm and mutual-benefit business relationships with customers from,Europe,America and south Asia,supplying obsolete and hard-to-find components to meet their specific needs.

With the principle of "Quality Parts,Customers Priority,Honest Operation,and Considerate Service",our business mainly focus on the distribution of electronic components. Line cards we deal with include Microchip,ALPS,ROHM,Xilinx,Pulse,ON,Everlight and Freescale. Main products comprise IC,Modules,Potentiometer,IC Socket,Relay,Connector.Our parts cover such applications as commercial,industrial, and automotives areas.

We are looking forward to setting up business relationship with you and hope to provide you with the best service and solution. Let us make a better world for our industry!



Contact us

Tel: +86-755-8981 8866 Fax: +86-755-8427 6832

Email & Skype: info@chipsmall.com Web: www.chipsmall.com

Address: A1208, Overseas Decoration Building, #122 Zhenhua RD., Futian, Shenzhen, China





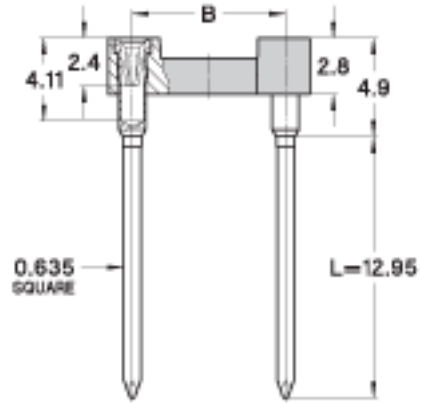
preci-dip

DIL SOCKETS

SERIES
12X

12X-PP-XXX-41-001101
2.54 mm, Wire-wrap

Solderless wire-wrap terminals are firmly fitted in the insulator body to withstand torque of wrapping tool



TECHNICAL SPECS.:

Insulator	Black glass filled polyester PCT-GF30-FR
Flammability	UL 94V-O
Sleeve	Brass CuZn36Pb3 (C36000)
Contact	Clip (4 finger): Beryllium copper (C17200)
Accepted pin Ø	0.40 to 0.56 mm
Insertion force	2 N typ.
Withdrawal force	1 N typ. (polished steel gauge Ø 0.43 mm)
Mechanical life	Min. 100 cycles
Rated current	1 A
Contact resistance	Max. 10 m
Dielectric strength	Min. 1000 V RMS

ORDERING INFORMATION:

PP Plating code	Sleeve	Clip
87	Tin	Gold flash
83	Tin	Gold 0.75 µm

ADVANCED INFORMATION:

Order Codes	Poles	A	B	C	D	E	See
123-PP-210-41-001101	10	12.6	5.08	7.6			

123-PP-304-41-001101	4	5.0	7.62	10.1
123-PP-306-41-001101	6	7.6	7.62	10.1
123-PP-308-41-001101	8	10.1	7.62	10.1
123-PP-310-41-001101	10	12.6	7.62	10.1
123-PP-312-41-001101	12	15.2	7.62	10.1
123-PP-314-41-001101	14	17.7	7.62	10.1
123-PP-316-41-001101	16	20.3	7.62	10.1
123-PP-318-41-001101	18	22.8	7.62	10.1
123-PP-320-41-001101	20	25.3	7.62	10.1
123-PP-322-41-001101	22	27.8	7.62	10.1
123-PP-324-41-001101	24	30.4	7.62	10.1
123-PP-328-41-001101	28	35.5	7.62	10.1
123-PP-420-41-001101	20	25.4	10.16	12.6
123-PP-422-41-001101	22	27.8	10.16	12.6
123-PP-424-41-001101	24	30.4	10.6	12.6
123-PP-428-41-001101	28	35.5	10.16	12.6
123-PP-432-41-001101	32	40.6	10.16	12.6
123-PP-610-41-001101	10	12.7	15.24	17.7
123-PP-624-41-001101	24	30.5	15.24	17.7
123-PP-628-41-001101	28	35.5	15.24	17.7
123-PP-632-41-001101	32	40.6	15.24	17.7
123-PP-636-41-001101	36	45.7	15.24	17.7
123-PP-640-41-001101	40	50.8	15.24	17.7
123-PP-642-41-001101	42	53.3	15.24	17.7
123-PP-648-41-001101	48	60.9	15.24	17.7
123-PP-650-41-001101	50	63.5	15.24	17.7
123-PP-652-41-001101	52	66.0	15.24	17.7
123-PP-950-41-001101	50	63.5	22.86	25.3
123-PP-952-41-001101	52	66.0	22.86	25.3
123-PP-964-41-001101	64	81.2	22.86	25.3

TECHNICAL ASSISTANCE

GENERAL SPECIFICATIONS:

The values listed below are general specs applying for PRECI-DIP DIL sockets. Please see individual catalog page for additional and product specific technical data.

Operating temperature range	-55 ... +125 °C
Climatic category (IEC)	55/125/21
Operating humidity range	annual mean 75 %
Max working voltage	100 VRMS/150 VDC

PRECI-DIP sockets are recognized by Underwriters Laboratories Inc. and listed under "Connectors for Use in Data, Signal, Control and Power Applications", File Nr. E174442.

MECHANICAL CHARACTERISTICS:

Clip retention	Min. 40 N (no displacement under axial force applied)
Contact (sleeve / clip) retention	Min. 3.3 N acc. to MIL-DTL-83734, pt 4.6.4.2

ELECTRICAL CHARACTERISTICS:

Insulation resistance between any two adjacent contacts	Min. 10'000 M at 500 V AC
Capacitance between any two adjacent contacts	Max. 1 pF
Air and creepage distances between any two adjacent contacts	Min. 0.6 mm (Min. 0.2 mm FOR SHRINK-DIP SOCKETS)

ENVIRONMENTAL CHARACTERISTICS:

The sockets withstand the following environmental tests without mechanical and electrical defects:

- Dry heat steady state IEC 60512-11-9.11i / 60068-2-2.Bb: 125 °C, 16h
- Damp heat cyclic IEC 60512-11-12.11m / 60068-2-30.Db: 25/55 °C, 90 – 100 %rH, 1 cycle of 24 h
- Cold steady state IEC 60512-11-10.11j / 60068-2-1.A: -55 °C, 2 h
- Thermal shock IEC 60512-11-4.11d / 60068-2-14.Na: -55/125 °C, 5 cycles 30 min
- Sinusoidal vibrations IEC 60512-6-4.6d / 60068-2-6.Fc: 10 to 500 Hz, 10 g, 1 octave/min, 10 cycles for each axis
- Shock IEC 60512-6-3.6c / 60068-2-27.Ea: 50 g, 11 ms, 3 shocks in three axis

During the above two tests no contact interruption >50 ns does appear.

- Solderability J-STD-002A, Test A, 245°C, 5 s solder alloy SnAg3.8Cu0.7
- Resistance to soldering heat J-STD-0020C, 260°C, 20 s
- Moisture sensitivity J-STD-020C level 1
- Resistance to corrosion :
 - 1) Salt spray test IEC 60068-2-11.Ka: 48 h
 - 2) Sulfur dioxide (SO₂) test IEC 60068-2-42 Kc: 96 h at 25 ppm SO₂, 25 °C, 75 %rH
 - 3) Hydrogen sulfide (H₂S) test IEC 60068-2-43 Kd: 96 h at 12 ppm H₂S, 25 °C, 75 %rH

SOLDERLESS COMPLIANT PRESS-FIT CHARACTERISTICS:

PRESS-FIT CHARACTERISTICS MEASURED ACC. TO IEC 60352-5

- Press-in force: 90 N max. (at min. hole dia.) / 65 N typ.
- Push-out force: 30 N min. (at max. hole dia.) / 50 N typ.
- Push-out 3rd cycle: 20 N min. (at max. hole dia.)

PCB HOLE DIMENSIONS

- 2.54 mm grid: Finished hole Ø: 1 + 0.09/-0.06 mm | Drilled hole Ø: 1.15 ± 0.02 mm

PCB HOLE PLATING

- PCB surface finish: Hole plating
- Tin: 5-15 μm tin over min. 25 μm copper
- Copper: min. 25 μm copper
- Gold over nickel: 0.05-0.2 μm gold over 2.5-5 μm nickel over min. 25 μm copper