



Chipsmall Limited consists of a professional team with an average of over 10 year of expertise in the distribution of electronic components. Based in Hongkong, we have already established firm and mutual-benefit business relationships with customers from,Europe,America and south Asia,supplying obsolete and hard-to-find components to meet their specific needs.

With the principle of “Quality Parts,Customers Priority,Honest Operation,and Considerate Service”,our business mainly focus on the distribution of electronic components. Line cards we deal with include Microchip,ALPS,ROHM,Xilinx,Pulse,ON,Everlight and Freescale. Main products comprise IC,Modules,Potentiometer,IC Socket,Relay,Connector.Our parts cover such applications as commercial,industrial, and automotives areas.

We are looking forward to setting up business relationship with you and hope to provide you with the best service and solution. Let us make a better world for our industry!



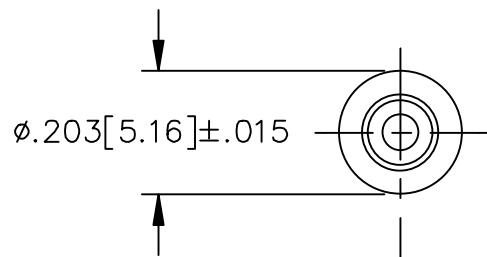
Contact us

Tel: +86-755-8981 8866 Fax: +86-755-8427 6832

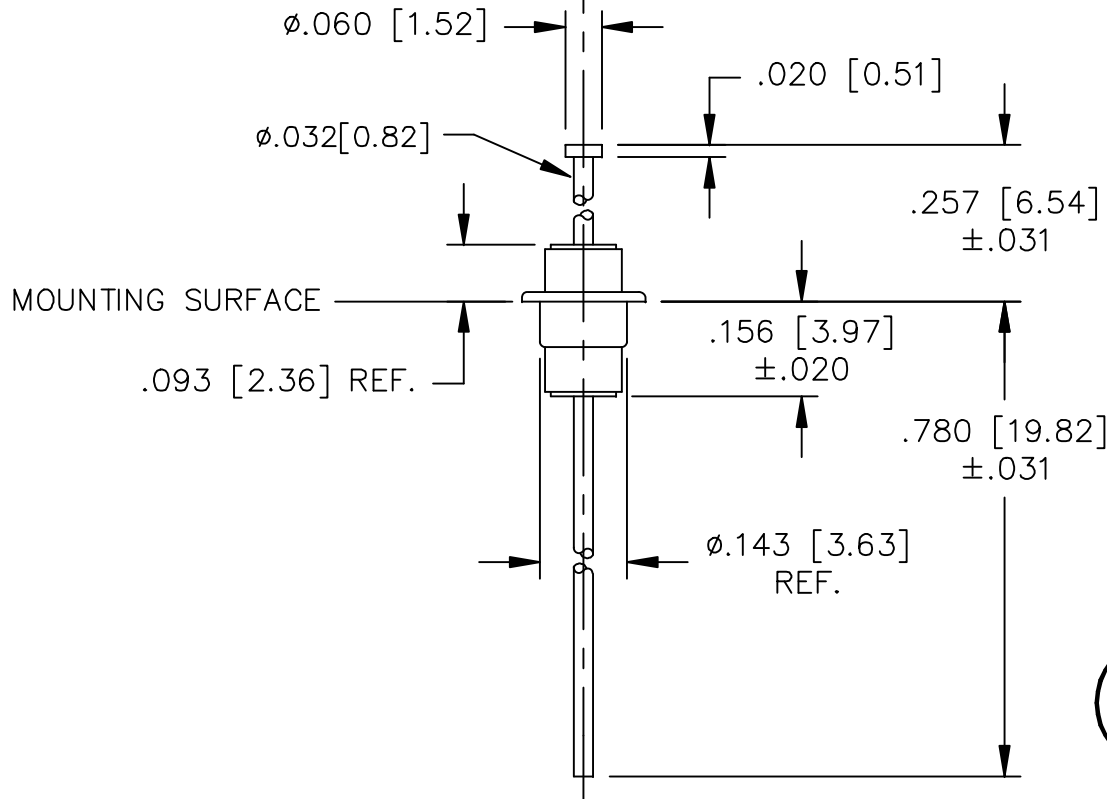
Email & Skype: info@chipsmall.com Web: www.chipsmall.com

Address: A1208, Overseas Decoration Building, #122 Zhenhua RD., Futian, Shenzhen, China





- NOTES:
 1) SUGGESTED MOUNTING HOLE=Ø.160
 2) THIS IS A LEAD FREE PRODUCT.
 3) MAX REFLOW IS 245°C FOR 5 SEC.

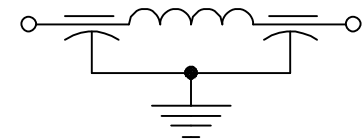


| | |
|-----------------|--------------------------------|
| LEAD FINISH: | SOLDER |
| CAPACITANCE pF | 12000pF GMV |
| TEMP. RANGE | -55°C TO 125°C |
| CURRENT | 10 AMP |
| WORKING VOLTAGE | 85°C, 100 VDC 125°C, 70 VDC |
| D.C. RESISTANCE | .01 OHM MAX. |

I.L. PER MIL-STD-220
MIN. @ NO LOAD

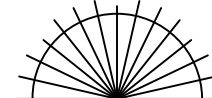
| FREQ. MHz | I.L. (db) |
|-----------|-----------|
| 10 MHz | 25 |
| 20 MHz | 40 |
| 100MHz | 70 |
| 400MHz | 70 |
| 10 GHz | 70 |

SCHEMATIC



MARKING:

PART: NONE
 BAG: 1234F-000
 DATE CODE
 QTY./BAG (200 MAX.)

| | | | | | | | | | | | | | | |
|--|--|--|--|--|----------------------|--------------|--------------|----------------------|--------------|---------------|---------------------------------------|---|-----------------|-----------------------------|
| | | | | | 04 | 03 | 02 | 01 | 00 | REV. N.D. | TOLERANCES UNLESS OTHERWISE SPECIFIED |  SPECTRUM CONTROL INC. FAIRVIEW PENNSYLVANIA | | |
| | | | | | CN 58826-ENG REDRAWN | CN 36348-ENG | CN 30483-CPD | CN 18102-CPD REDRAWN | CN 17019-CPD | CHANGE NOTICE | Fractions ± 1/64 | | Dwn. KAUFFMAN | Description |
| | | | | | | | | | | | Dec. .xx± | | Date 4-28-11 | FILTER, PI, EYELET, PB FREE |
| | | | | | | | | | | | Dec. .xxx± .015 | | Engr. S. PETERS | 1234F-000 |
| | | | | | | | | | | | Angles ±0° 30' | | Scale 3X | |
| | | | | | | | | | | | CODE IDENT. NO. OLSP2 | | | |