



Chipsmall Limited consists of a professional team with an average of over 10 year of expertise in the distribution of electronic components. Based in Hongkong, we have already established firm and mutual-benefit business relationships with customers from,Europe,America and south Asia,supplying obsolete and hard-to-find components to meet their specific needs.

With the principle of “Quality Parts,Customers Priority,Honest Operation,and Considerate Service”,our business mainly focus on the distribution of electronic components. Line cards we deal with include Microchip,ALPS,ROHM,Xilinx,Pulse,ON,Everlight and Freescale. Main products comprise IC,Modules,Potentiometer,IC Socket,Relay,Connector.Our parts cover such applications as commercial,industrial, and automotives areas.

We are looking forward to setting up business relationship with you and hope to provide you with the best service and solution. Let us make a better world for our industry!



Contact us

Tel: +86-755-8981 8866 Fax: +86-755-8427 6832

Email & Skype: info@chipsmall.com Web: www.chipsmall.com

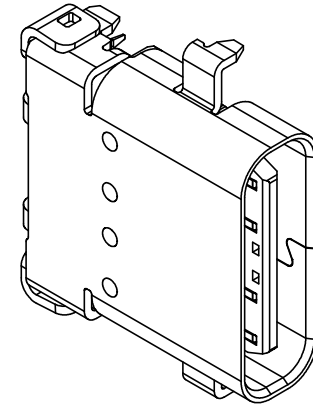
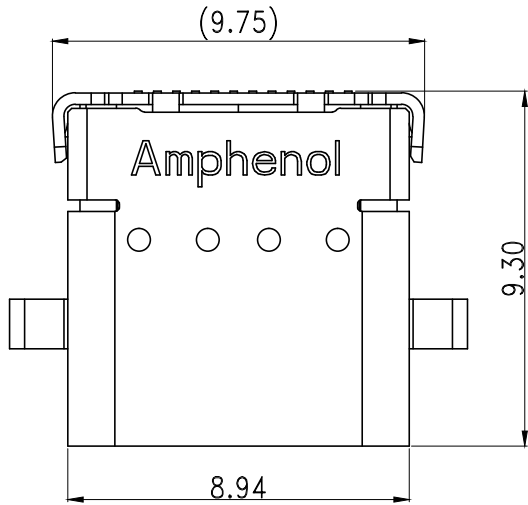
Address: A1208, Overseas Decoration Building, #122 Zhenhua RD., Futian, Shenzhen, China



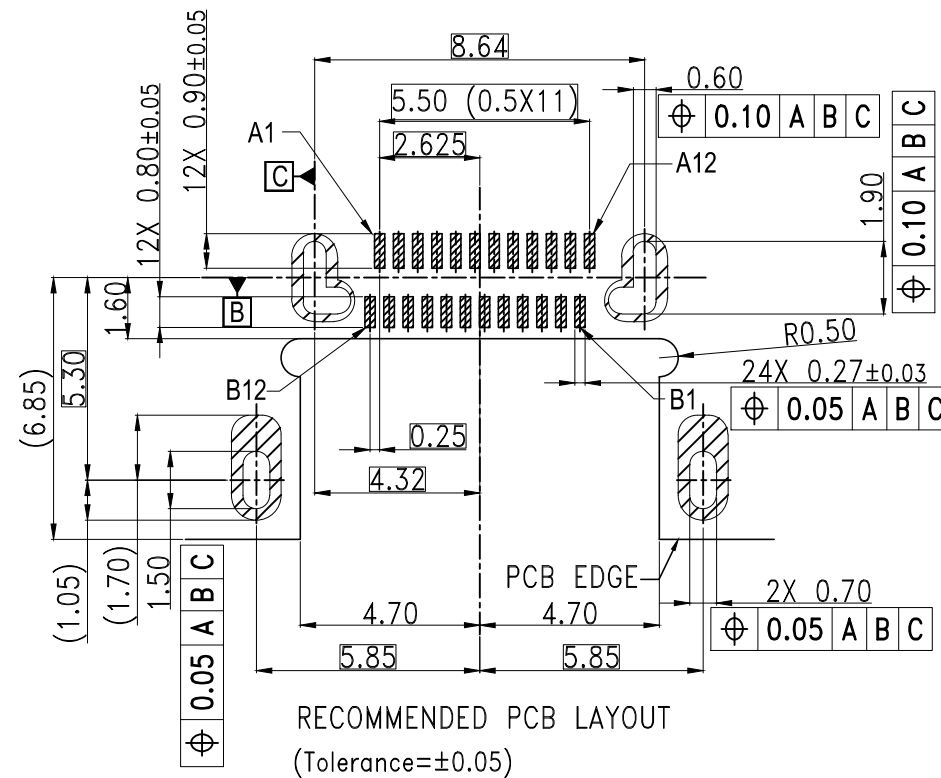
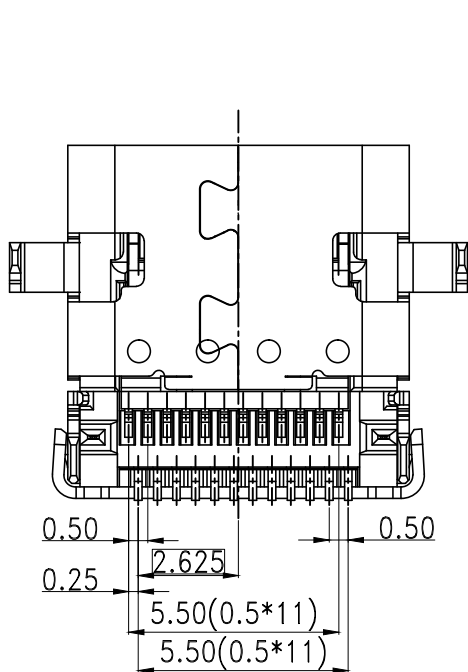
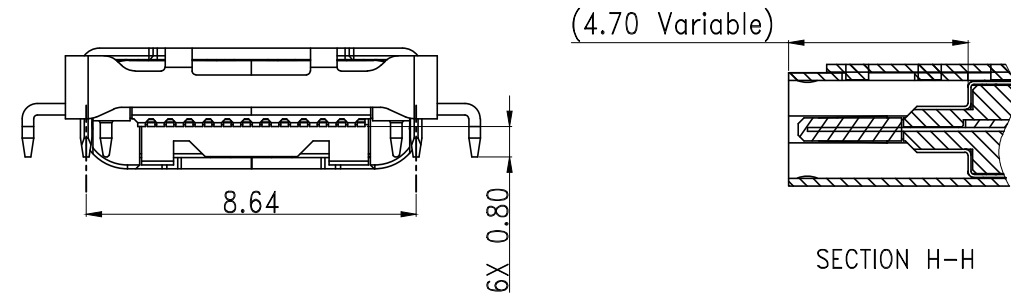
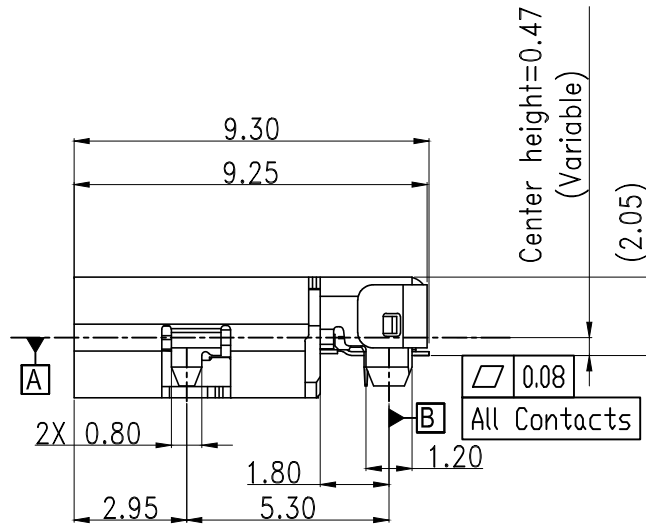
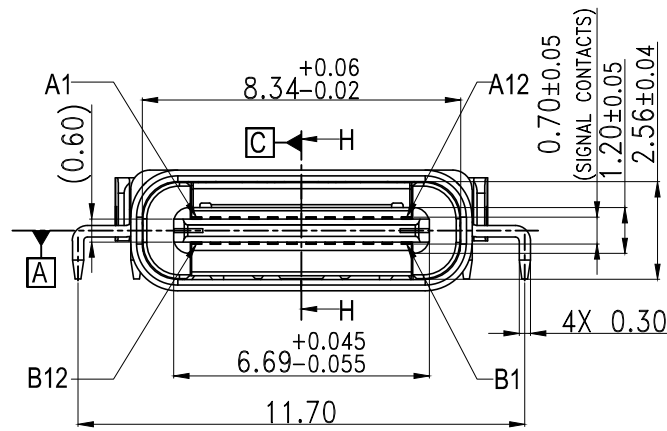
REFERENCE DRAWING

This document is the property of Amphenol Corporation and is delivered on the express condition that it is not to be disclosed, reproduced or used, in whole or in part, for manufacture or sale by anyone other than Amphenol Corporation without its prior consent, & that no right is granted to disclose or to use any information in this document.

| REVISIONS | | | | |
|-----------|----------|-------------|------------|----------|
| SYM | ECN | DESCRIPTION | DATE | APPROVED |
| X1 | 1602**** | NEW RELEASE | 02/18/2016 | Tom |



| Pin No | Signal Name | Mating Sequence | Pin No | Signal Name | Mating Sequence |
|--------|-------------|-----------------|--------|-------------|-----------------|
| A1 | GND | First | B12 | GND | First |
| A2 | TX1+ | Second | B11 | RX1+ | Second |
| A3 | TX1- | Second | B10 | RX1- | Second |
| A4 | Vbus | First | B9 | Vbus | First |
| A5 | CC1 | Second | B8 | SBU2 | Second |
| A6 | D+ | Second | B7 | D- | Second |
| A7 | D- | Second | B6 | D+ | Second |
| A8 | SBU1 | Second | B5 | CC2 | Second |
| A9 | Vbus | First | B4 | Vbus | First |
| A10 | RX2- | Second | B3 | TX2- | Second |
| A11 | RX2+ | Second | B2 | TX2+ | Second |
| A12 | GND | First | B1 | GND | First |
| SHELL | GND | | SHELL | GND | |



Notes:

- Material :
 Contacts : copper alloy
 Shell : Stainless steel.
 Housing : High-temperature polymer UL94V-0, black.
- Plating :
 Contacts: contact area 30u" Au, Solder tail gold flash or matte tin, nickel overall.
 Shell : Nickel Plating
- Coplanarity : 0.08Max.
- P/N : 12401698E4#2A.
- Packaging type: carrier tape.
- Material should be fulfilled Amphenol spec# SSN002 AND Customer Requirements, for halogen free products, also need to meet SSN004

| | | | |
|--|---------------------|--------------|--|
| UNLESS OTHERWISE SPECIFIED TOLERANCES U.S. METRIC .X +/- / ±0.30 .XX +/- / ±0.25 .XXX +/- / ±0.20 FRACTIONS +/- / ANGLES +/- / | APPROVAL | DATE | <h2>Amphenol</h2> |
| | DRAWN Michael.qin | 01/26/16 | |
| | CHECKED Welson.Lu | 01/26/16 | |
| | CHECKED | | |
| FOR MATERIALS AND FINISHES SEE NOTES | DRAWING FILE : | | TITLE |
| REMOVE SHARP EDGES | ANGLE OF PROJECTION | | USB TYPE C CONNECTOR MID-MOUNT DUAL ROW SMT |
| DIMENSIONS | | | SIZE DRAWING NO. |
| U.S. INCHES | | | A3 12401698E4#2A |
| (METRIC) (MM) | | | REV. X1 |
| SCALE NONE | | SHEET 1 OF 1 | |