



Chipsmall Limited consists of a professional team with an average of over 10 year of expertise in the distribution of electronic components. Based in Hongkong, we have already established firm and mutual-benefit business relationships with customers from,Europe,America and south Asia,supplying obsolete and hard-to-find components to meet their specific needs.

With the principle of “Quality Parts,Customers Priority,Honest Operation,and Considerate Service”,our business mainly focus on the distribution of electronic components. Line cards we deal with include Microchip,ALPS,ROHM,Xilinx,Pulse,ON,Everlight and Freescale. Main products comprise IC,Modules,Potentiometer,IC Socket,Relay,Connector.Our parts cover such applications as commercial,industrial, and automotives areas.

We are looking forward to setting up business relationship with you and hope to provide you with the best service and solution. Let us make a better world for our industry!



Contact us

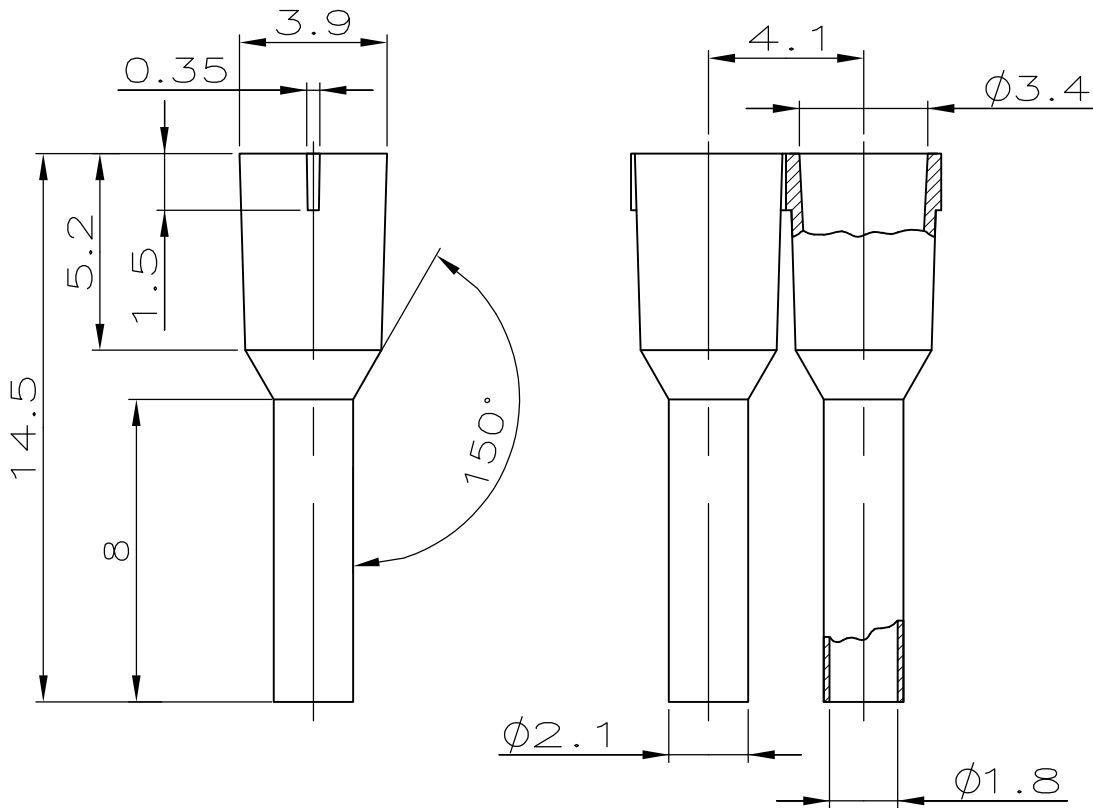
Tel: +86-755-8981 8866 Fax: +86-755-8427 6832

Email & Skype: info@chipsmall.com Web: www.chipsmall.com

Address: A1208, Overseas Decoration Building, #122 Zhenhua RD., Futian, Shenzhen, China



LOC A1	DIST —	REVISIONS ÄNDERUNGEN DESCRIPTION BESCHREIBUNG			DATE	DWN	APVD
		P	LTR				
			A3	REVISED PER ECR-09-018681	20AUG09	VKH	RRP



ACCORDING TO DIN 46228 PART 4
ENTSPRICHT DIN 46228 TEIL 4

REMARKS:
Bemerkungen

- 1 PACKING UNIT: 1000 PIECES ON REEL
VERPACKUNGSEINHEIT: 1000 STUECK AUF SPULE
- 2 MAX. INSULATION-DIA. OF WIRE: $\phi 3.2$ mm
MAX. ISOLATIONS- ϕ DER LEITUNG: $\phi 3.2$ mm
- 3 USE STRIPPER-CRIMPER MACHINE 528343-1
BENUTZEN SIE STRIPPER-CRIMPER MASCHINE 528343-1

BLACK	1241003-1	1
COLOR	PART NUMBER	NO.

THIS DRAWING IS UNPUBLISHED.
 VERTRAULICHE UNVERÖFFENTLICHTE ZEICHNUNG
 © COPYRIGHT -- BY TYCO ELECTRONICS CORPORATION. ALL INTERNATIONAL RIGHTS RESERVED. ALLE RECHTE VORBEHALTEN.

DIMENSIONS: MASSENHEITEN mm	DWN R. Schmidt	17-DEC-97	MATERIAL PP/E-Cu	FINISH OBERFLAECHE/FARBE	Sn
	CHK W.Boeck	16-JAN-98	Tyco Electronics AMP GmbH D - 63225 Langen		
TOLERANCES UNLESS OTHERWISE SPECIFIED: ALLGEMEINTOLERANZEN n. ISO 2768 - m	APVD G. Feldmeier	16-JAN-98	NAME TUBULAR END-SLEEVE WITH PLASTIC SLEEVE, STRIP FORM, 1.5 SQmm. ADERENDHUELSE MIT KUNSTSTOFFHUELSE, BANDWARE, 1.5 SQmm.		
	PRODUCT SPEC PRODUKTSPEZ.	—	SIZE A4	CAGE CODE 00779	DRAWING NO ZEICHNUNGS-NR. C-1241003
0 PLC ± - 1 PLC ± - 2 PLC ± - 3 PLC ± - 4 PLC ± - ANGLES /WINKEL ± -	APPLICATION SPEC VERARBEITUNGSSPEZ.	—	RESTRICTED TO NUR FUER		—
WEIGHT GEWICHT	—	CUSTOMER DRAWING /KUNDENZEICHNUNG		SCALE MASSSTAB	5:1
SHEET BLATT			1	OF VON	1
REV			A3		