



Chipsmall Limited consists of a professional team with an average of over 10 year of expertise in the distribution of electronic components. Based in Hongkong, we have already established firm and mutual-benefit business relationships with customers from,Europe,America and south Asia,supplying obsolete and hard-to-find components to meet their specific needs.

With the principle of “Quality Parts,Customers Priority,Honest Operation,and Considerate Service”,our business mainly focus on the distribution of electronic components. Line cards we deal with include Microchip,ALPS,ROHM,Xilinx,Pulse,ON,Everlight and Freescale. Main products comprise IC,Modules,Potentiometer,IC Socket,Relay,Connector.Our parts cover such applications as commercial,industrial, and automotives areas.

We are looking forward to setting up business relationship with you and hope to provide you with the best service and solution. Let us make a better world for our industry!



## Contact us

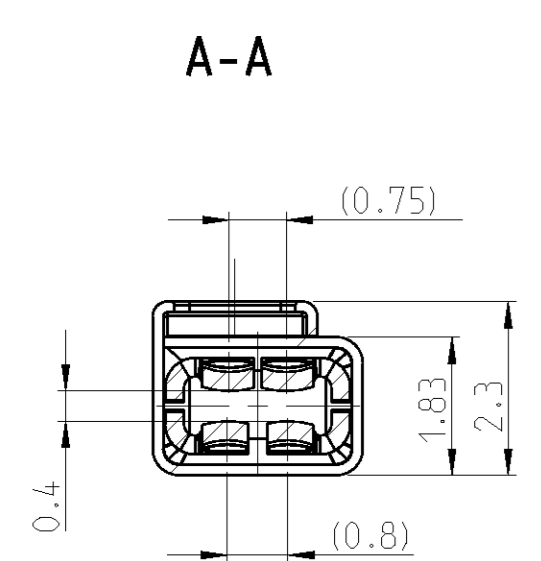
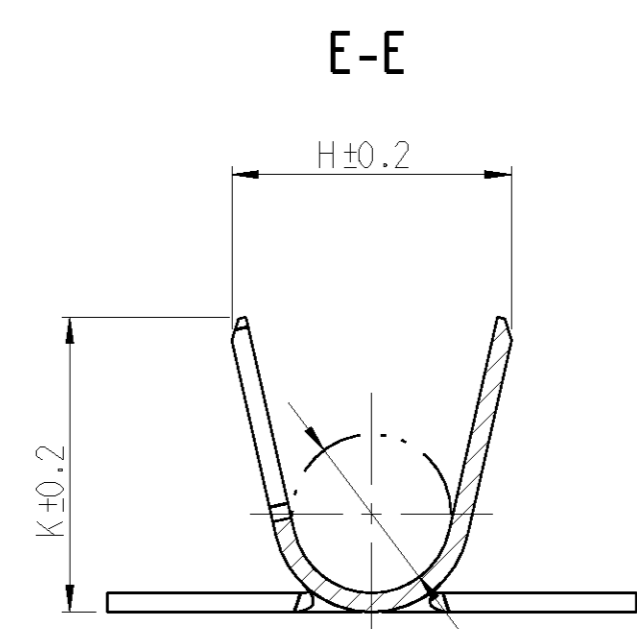
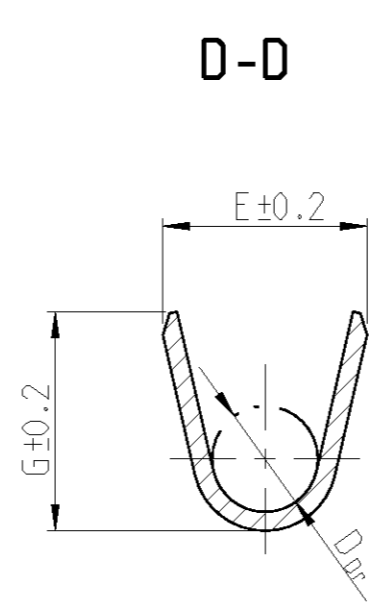
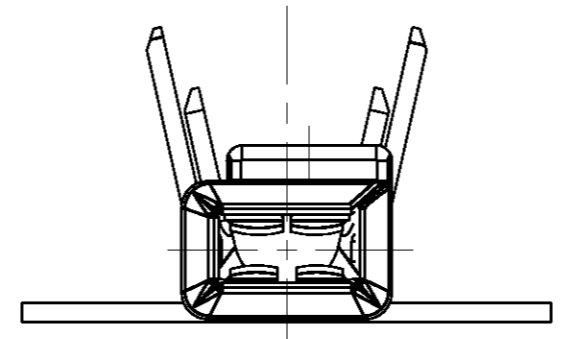
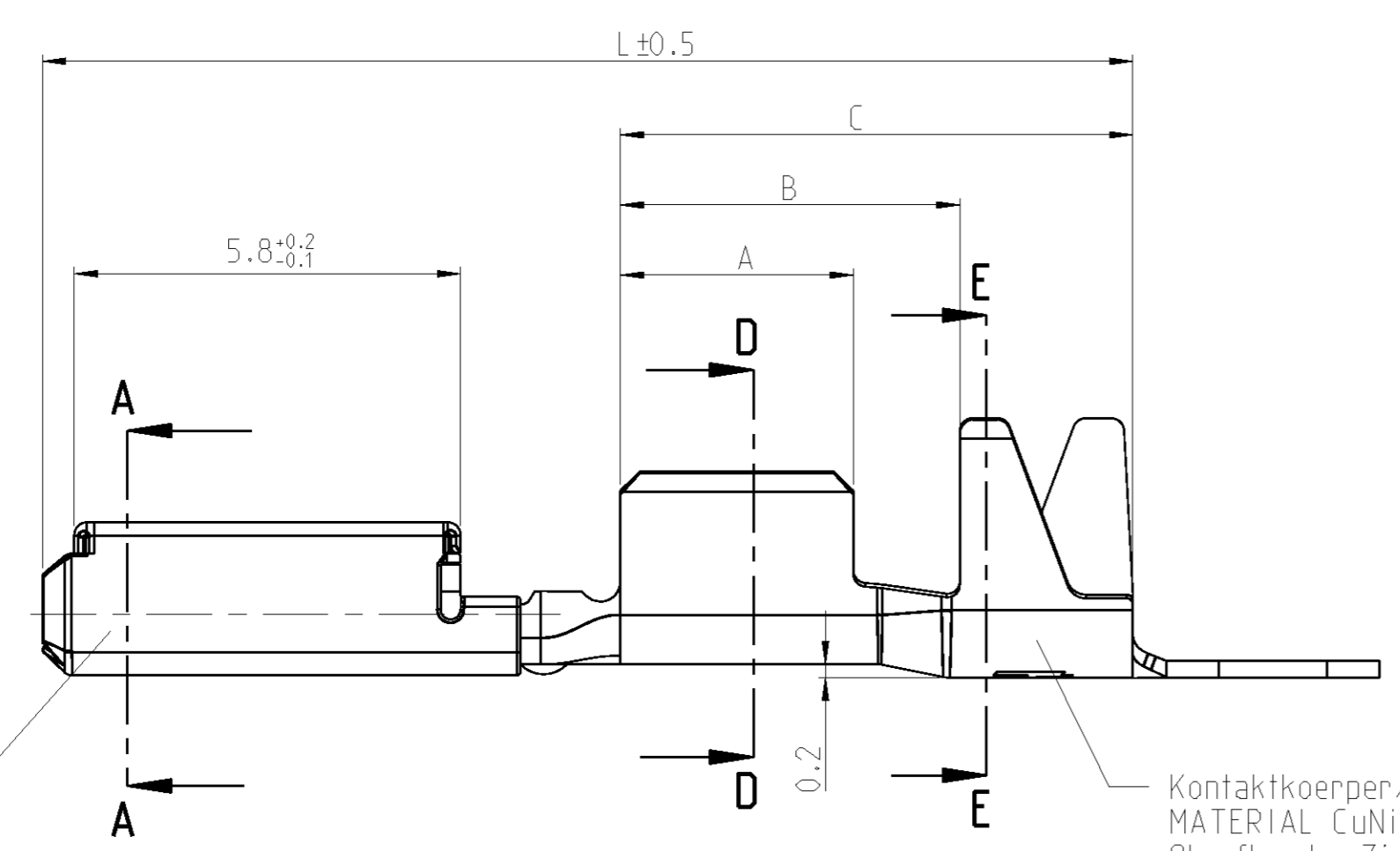
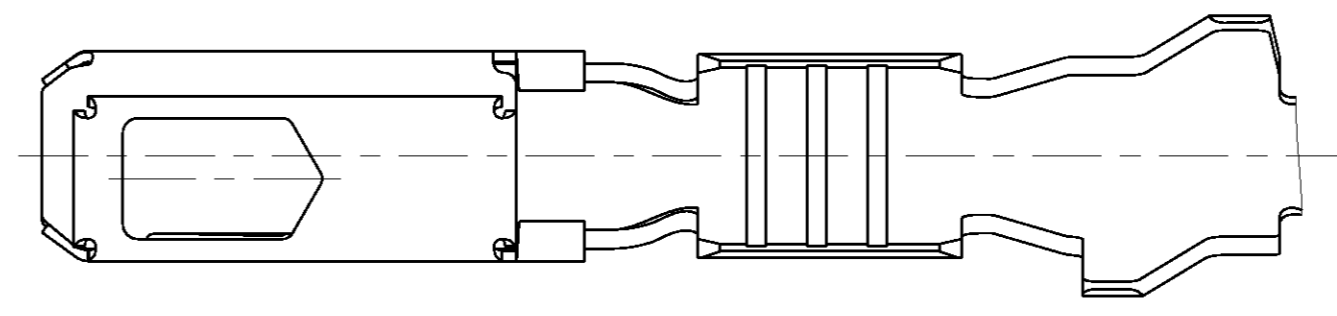
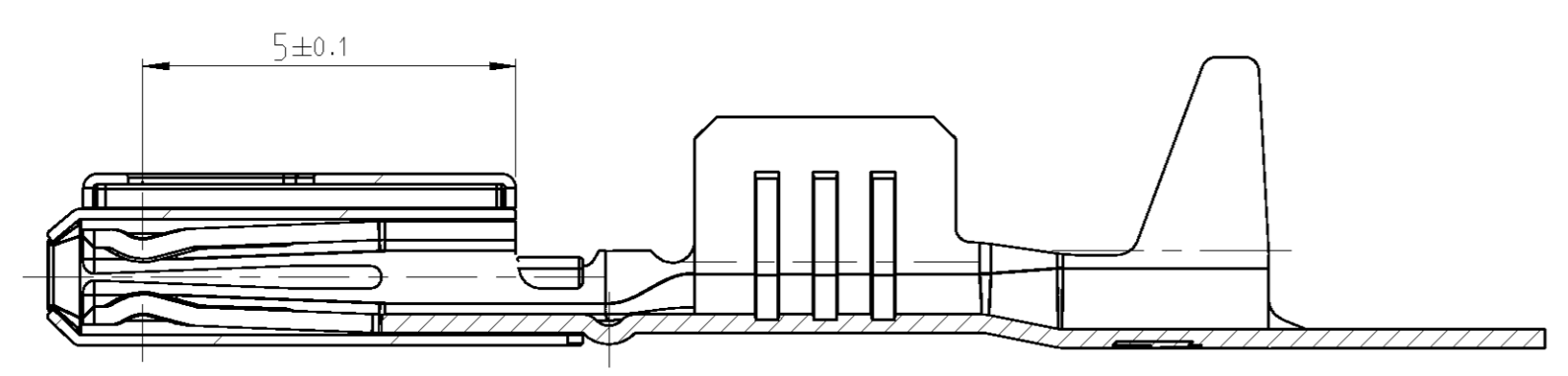
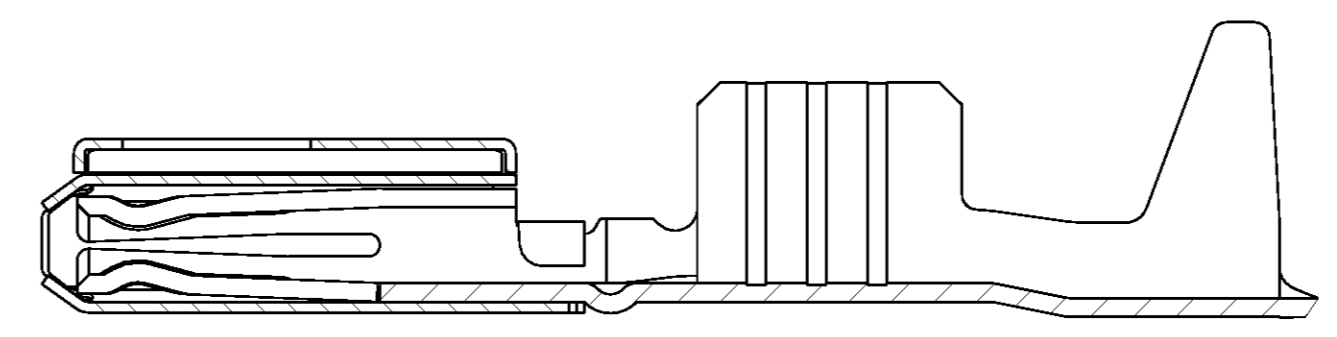
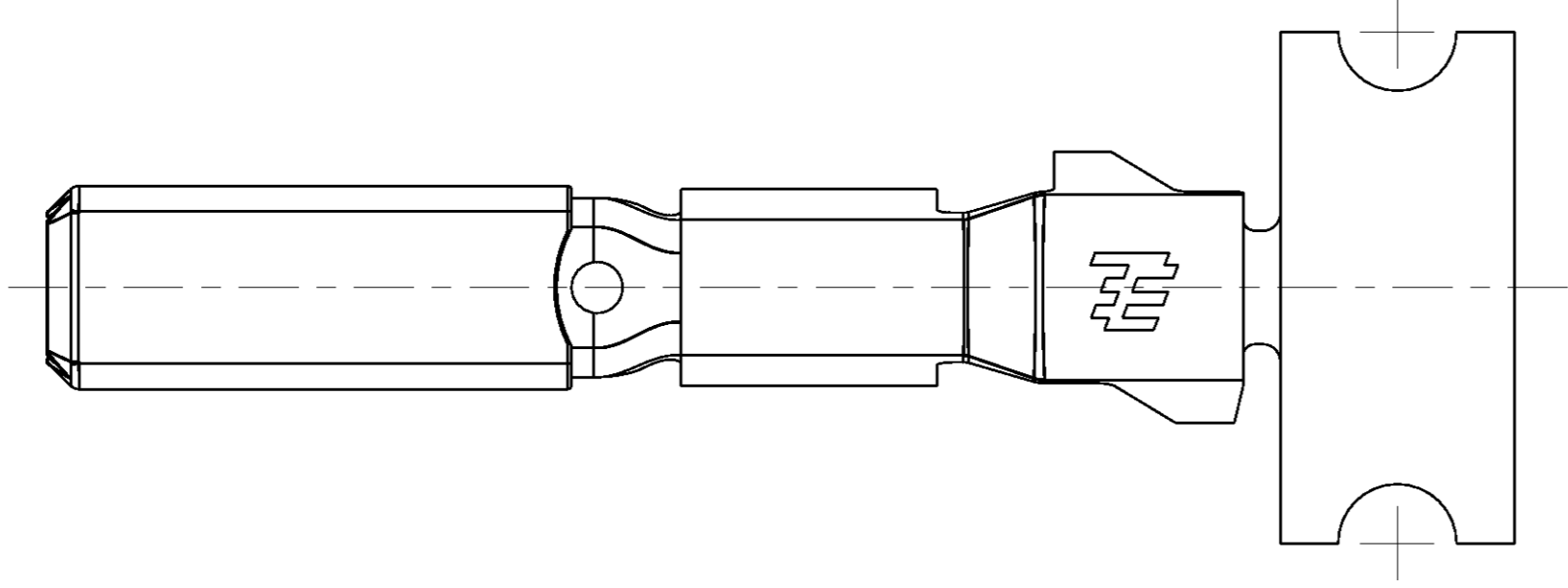
Tel: +86-755-8981 8866 Fax: +86-755-8427 6832

Email & Skype: info@chipsmall.com Web: www.chipsmall.com

Address: A1208, Overseas Decoration Building, #122 Zhenhua RD., Futian, Shenzhen, China

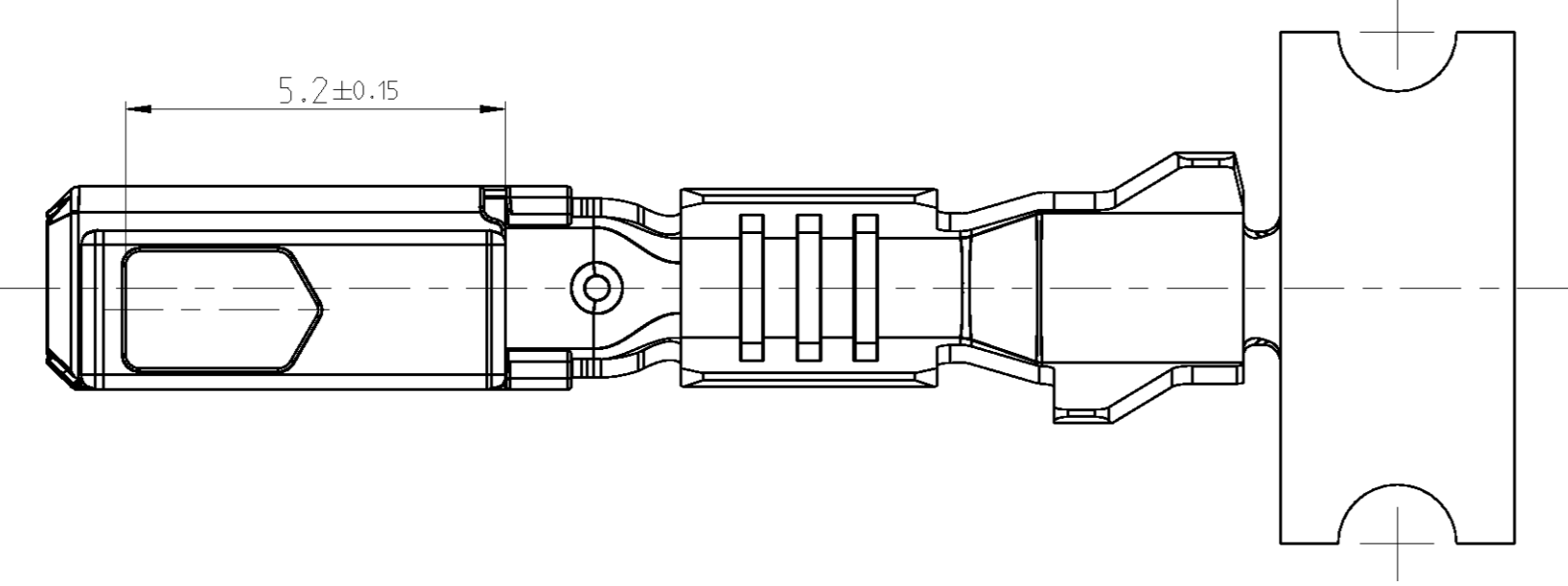


VERSION/Ausführung 5-1241608-1



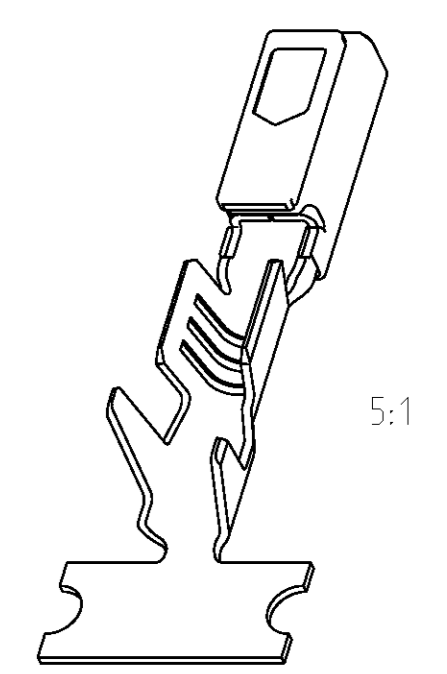
Ueberfeder/SPRING  
 MATERIAL X10CrNi188  
 Oberflaeche blank  
 SURFACE UNCOATED

Kontaktkoerper/BODY  
 MATERIAL CuNiSi F57  
 Oberflaeche Zinn 0.8-2µm Sn  
 Silber 1.6-4.6µm Ag ueber Ni im Kontaktbereich, Sn im Crimpbereich  
 SURFACE TIN 0.8-2µm Sn  
 SILVER 1.6-4.6µm Ag OVER Ni AT CONTACT AREA, Sn AT CRIMP AREA



Bemerkungen  
 NOTES

- 1 Kontakt nur fuer Testzwecke (erhoehte Steckzyklenzahl), nicht fuer Serieneinsatz  
 CONTACT ONLY FOR SPECIAL TEST-APPLICATIONS (HIGH MATING-CYCLES), NOT FOR SERIES-APPLICATION
- 2 Nur fuer FLR-Leitung nach DIN 72551, Teil 6  
 FOR FLR-CONDUCTOR ACCORDING TO DIN 72551-6 ONLY
- 3 Einzelheiten der Ausfuehrung bleiben dem Hersteller ueberlassen  
 DETAILS OF DESIGN ARE LEFT TO MANUFACTURER
- 4 Oberflaeche: blank, Material CuNi12Zn24  
 SURFACE: UNCOATED, MATERIAL CuNi12Zn24



5-1241608-1	C	5-1241609-1	0.75...1.5	Sn	0.2	A = 3.5 B = 5.1 C = 7.7 L = 16.5	E = 2.7 G = 2.9 D <sub>DR</sub> = 1.4	H = 3.7 K = 3.9 D <sub>ISO</sub> = 2.1
1241608-6	C	1241609-6		Ag				
1241608-3	C	1241609-3		△				
1241608-2	C	1241609-2		Au				
1241608-1	C	1241609-1	0.35...0.5	Sn	0.2	A = 2.5 B = 3.6 C = 5.6 L = 15.8	E = 1.9 G = 1.9 D <sub>DR</sub> = 0.8	H = 2.7 K = 2.7 D <sub>ISO</sub> = 1.4
1452158-2	C	1452157-2		Au				
1452158-1	B	1452157-1		Sn				
TE CONNECTIVITY BESTELL-NR. ORDER NO.	REV.	Einzelausfuehrung LOOSE PIECE TE-Bestell-Nr. TE-ORDER-NO.	DGB WIRE-SIZE-RANGE mm <sup>2</sup>	Oberflaeche SURFACE	Gewicht WEIGHT g	Laenge LENGTH	Drahtcrimp WIRE CRIMP	Iso <sup>o</sup> crimp INSU. CRIMP
Abmessungen/DIMENSIONS mm								

DIMENSIONS: MASSENHEITEN mm		TOLERANCES UNLESS OTHERWISE SPECIFIED: ALLE DIMENSIONEN		DWN S. Garcia 04FEB2000	APVD D. Jetter 04FEB2000		NAME MOS 1.5, CLEAN BODY Produktgruppenzchnng. Buchsenkontakt PRODUCTGROUPDRAWING, SOCKET CONTACT	
MATERIAL		FINISH/OBERFLAECHE/FINISH		PRODUCT SPEC 1 PLC ± DIN 2 PLC ± 6930- m 3 PLC ± 4 PLC ±		APPLICATION SPEC VERARBEITUNGSBEZ. 114-1028G		SIZE A1
WEIGHT GEWICHT		WEIGHT GEWICHT		CUSTOMER DRAWING		SCALE MASSSTAB 10:1		RESTRICTED TO NUR FÜR
						SHEET BLATT 1		REV REV 1