



Chipsmall Limited consists of a professional team with an average of over 10 year of expertise in the distribution of electronic components. Based in Hongkong, we have already established firm and mutual-benefit business relationships with customers from,Europe,America and south Asia,supplying obsolete and hard-to-find components to meet their specific needs.

With the principle of “Quality Parts,Customers Priority,Honest Operation,and Considerate Service”,our business mainly focus on the distribution of electronic components. Line cards we deal with include Microchip,ALPS,ROHM,Xilinx,Pulse,ON,Everlight and Freescale. Main products comprise IC,Modules,Potentiometer,IC Socket,Relay,Connector.Our parts cover such applications as commercial,industrial, and automotives areas.

We are looking forward to setting up business relationship with you and hope to provide you with the best service and solution. Let us make a better world for our industry!



Contact us

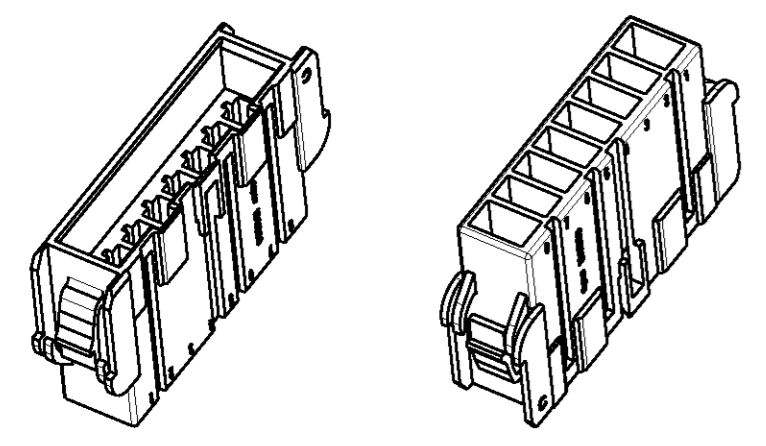
Tel: +86-755-8981 8866 Fax: +86-755-8427 6832

Email & Skype: info@chipsmall.com Web: www.chipsmall.com

Address: A1208, Overseas Decoration Building, #122 Zhenhua RD., Futian, Shenzhen, China

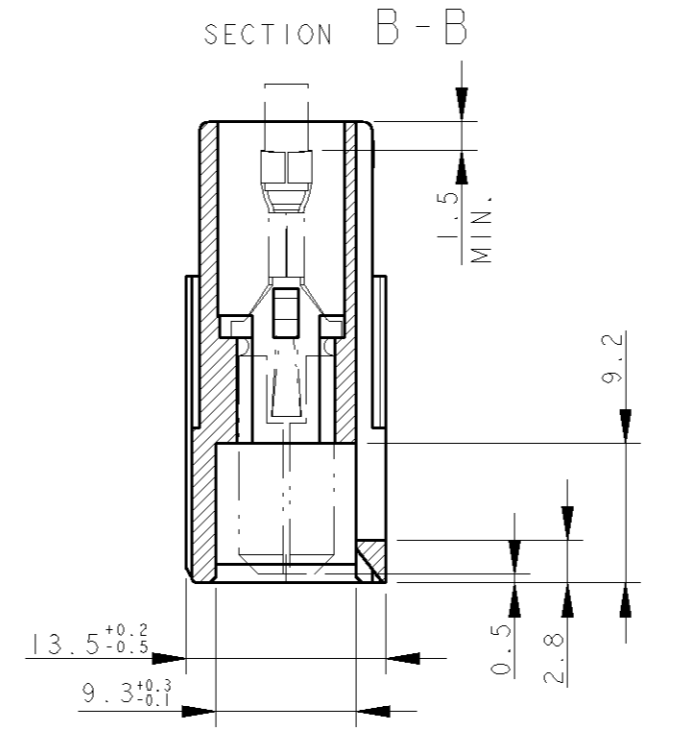
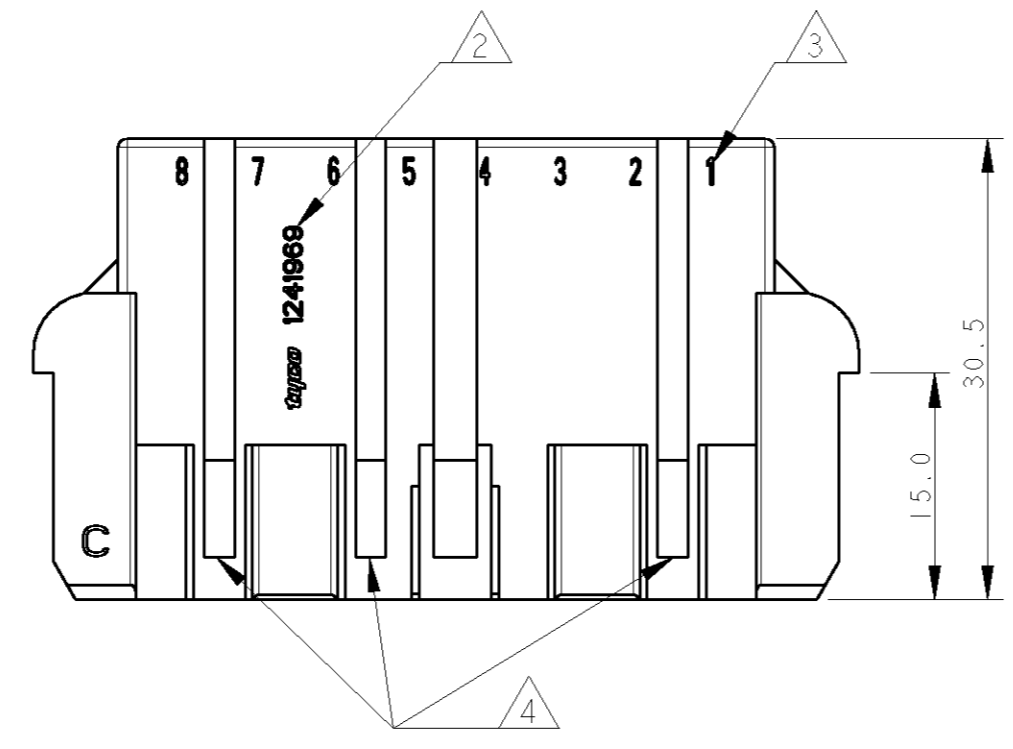
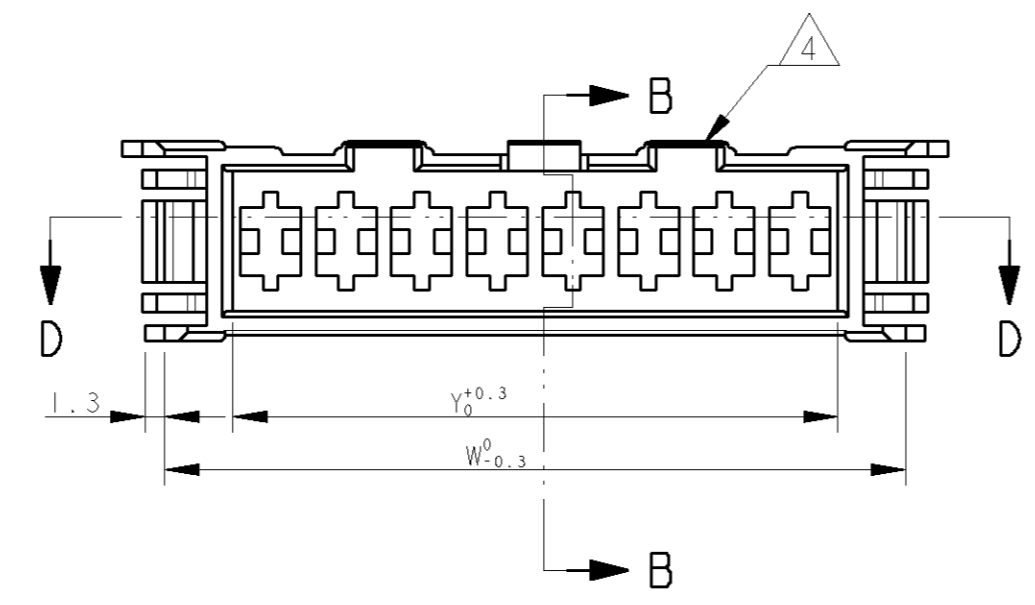
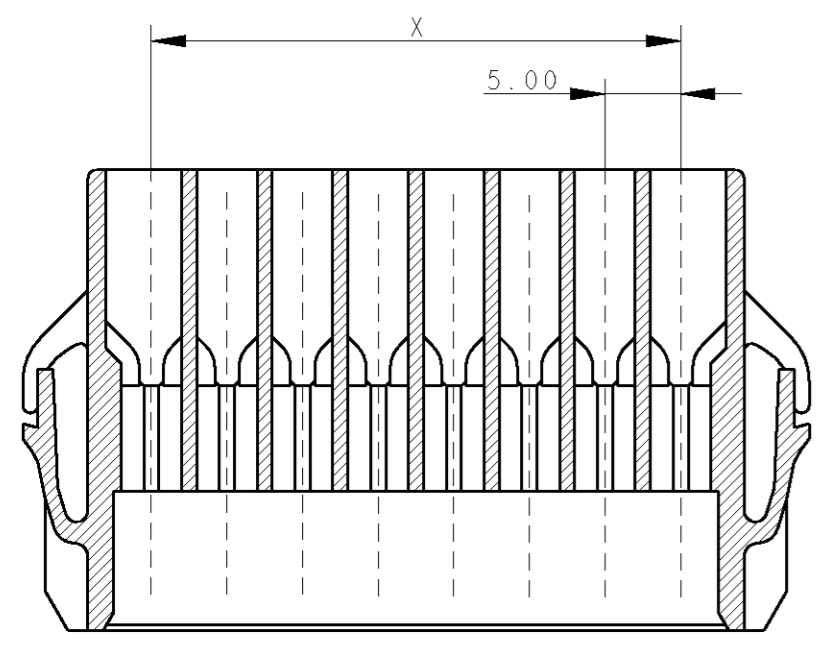


REVISIONS							
LOC	DIST	P	LTR	DESCRIPTION	DATE	DWN	APVD
		C		REDRAWN, ECR-05-009400.	-	HY	GT

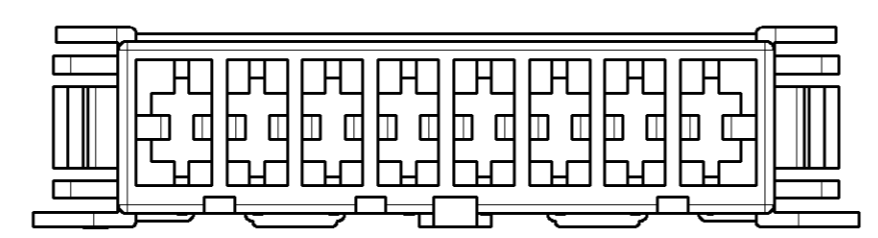
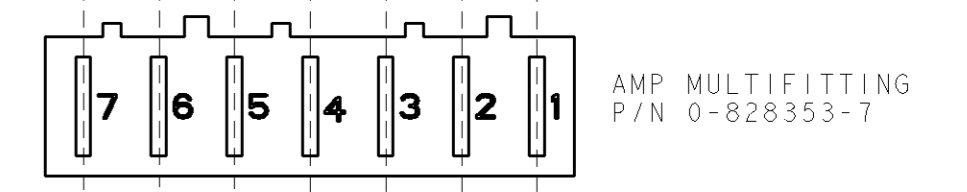
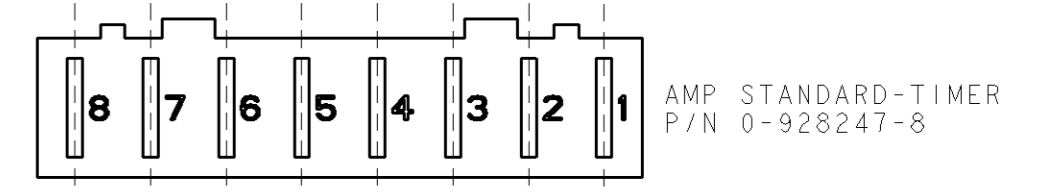
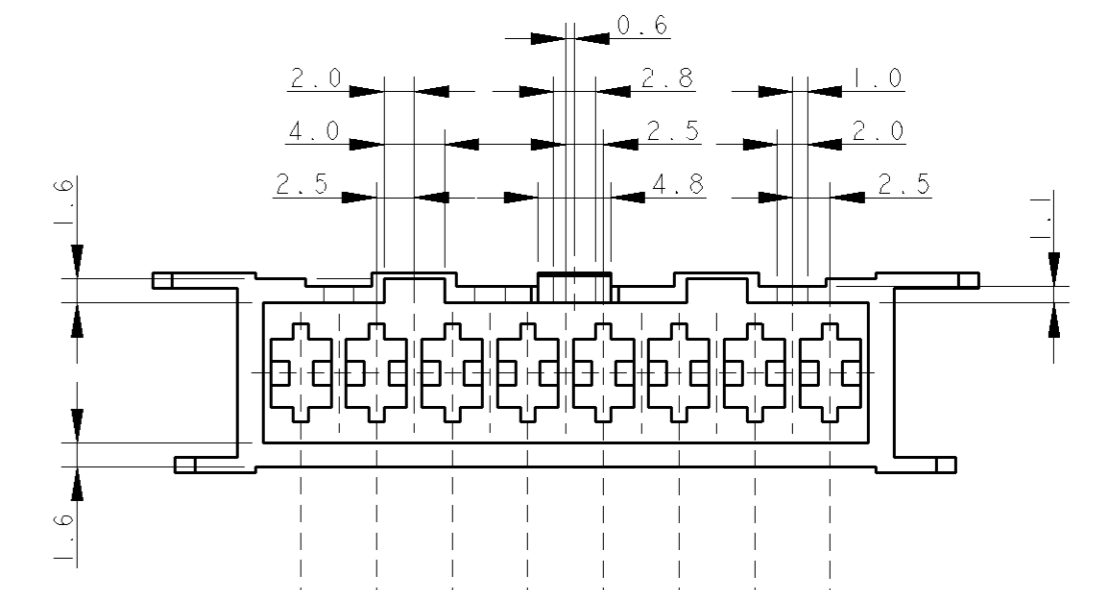


SCALE 1:1

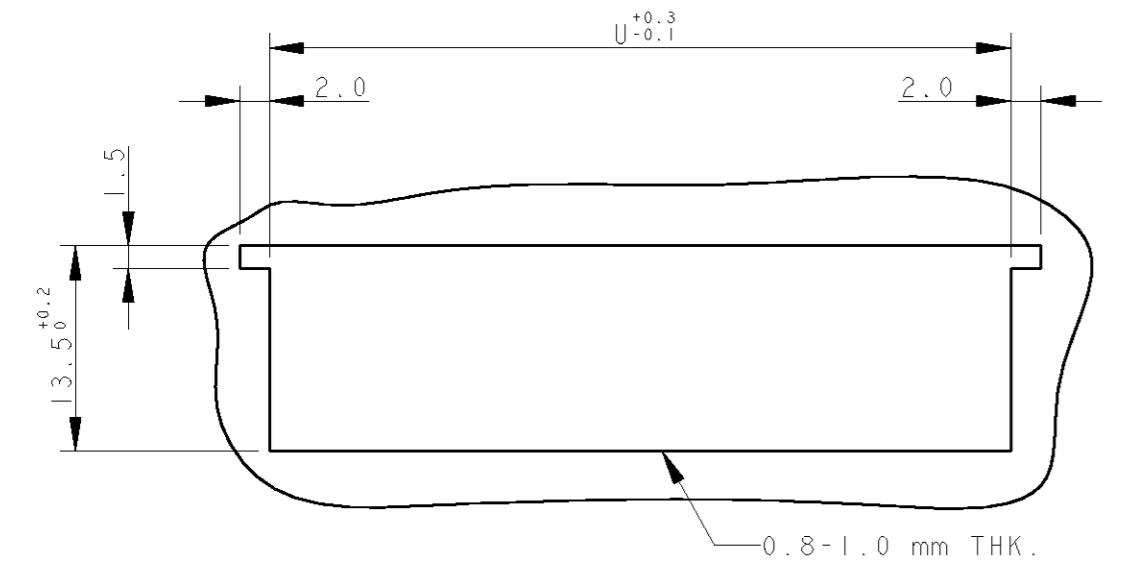
SECTION D-D



POLARIZATION KEYS SCHEME



PANEL CUT DIMENSIONS



- 1 TYPICAL CAVITY SUITABLE FOR:
FASTIN-FASTON TAB CONTACTS 6.3 mm SRS:
P/N: 60294, 0.3-0.8 mm² WIRE RANGE
160691, 0.3-0.8 mm² WIRE RANGE
AMPLIVAR CONTACTS:
P/N: 141051, 0.1-0.5 mm² WIRE RANGE
142411, 0.3-1.6 mm² WIRE RANGE
MAX. INSULATION DIA. 2.8 mm.
MAX. INSULATION CRIMP WIDTH 3.3 mm.
- 2 TYCO TRADEMARK "LOGO" AND
TYCO ELECTRONICS "PART NUMBER"
OPTIONAL POSITION.
- 3 CIRCUIT IDENTIFICATION NUMBERS.
- 4 POLARIZATION KEYS DIMENSIONS AND POSITIONS
ARE ACCORDING TO "RAST 5" NORM
- 5 PA UNFILLED, UL 94-V2,
ACCORDING TO IEC 60335-1 NORM.
- 6 PA UNFILLED, UL 94-V2

POS.	U	W	X	Y	P/N	MATERIAL	COLOUR	REV.
12	69.0	69.0	55.0	60.0	-	-	-	-
11	64.0	64.0	50.0	55.0	-	-	-	-
10	59.0	59.0	45.0	50.0	-	-	-	-
9	54.0	54.0	40.0	45.0	-	-	-	-
8	49.0	49.0	35.0	40.0	5-1241969-8	SEE NOTE 5	NATUR	C
8	49.0	49.0	35.0	40.0	0-1241969-8	SEE NOTE 6	NATUR	C
6	39.0	39.0	25.0	30.0	-	-	-	-
5	34.0	34.0	20.0	25.2	-	-	-	-
4	29.0	29.0	15.0	20.2	-	-	-	-
3	24.0	24.0	10.0	15.2	-	-	-	-
2	19.0	19.0	5.0	10.2	-	-	-	-

PARTS LIST

THIS DRAWING IS A CONTROLLED DOCUMENT FOR TYCO ELECTRONICS CORPORATION
 IT IS SUBJECT TO CHANGE AND THE CONTROLLING ENGINEERING ORGANIZATION
 SHOULD BE CONTACTED FOR THE LATEST REVISION.

DIMENSIONS:	TOLERANCES UNLESS OTHERWISE SPECIFIED:	DWN	18AUG2005
mm	0 PLC ±	CHK	H. Yaqili
	1 PLC ±0.2	G	Turco
	2 PLC ±	APVD	-
	3 PLC ±	PRODUCT SPEC	-
	4 PLC ±	APPLICATION SPEC	-
	ANGLES ±°	WEIGHT	-
	FINISH	CUSTOMER DRAWING	-

tyco Electronics AMP Italia S.p.A.
 C.so F.lli Cervi, 15 COLLEGGIO (TO)

NAME: 2-12 POS. FASTIN-FASTON* Connectors
 TAB HOUSING, RAST 5
 PANEL MOUNT VERSION

SIZE: A2 CAGE CODE: 00779 DRAWING NO: 1241969 RESTRICTED TO: -

SCALE: 1:2 SHEET: 1 OF 1 REV: C