



Chipsmall Limited consists of a professional team with an average of over 10 year of expertise in the distribution of electronic components. Based in Hongkong, we have already established firm and mutual-benefit business relationships with customers from,Europe,America and south Asia,supplying obsolete and hard-to-find components to meet their specific needs.

With the principle of “Quality Parts,Customers Priority,Honest Operation,and Considerate Service”,our business mainly focus on the distribution of electronic components. Line cards we deal with include Microchip,ALPS,ROHM,Xilinx,Pulse,ON,Everlight and Freescale. Main products comprise IC,Modules,Potentiometer,IC Socket,Relay,Connector.Our parts cover such applications as commercial,industrial, and automotives areas.

We are looking forward to setting up business relationship with you and hope to provide you with the best service and solution. Let us make a better world for our industry!



Contact us

Tel: +86-755-8981 8866 Fax: +86-755-8427 6832

Email & Skype: info@chipsmall.com Web: www.chipsmall.com

Address: A1208, Overseas Decoration Building, #122 Zhenhua RD., Futian, Shenzhen, China



4

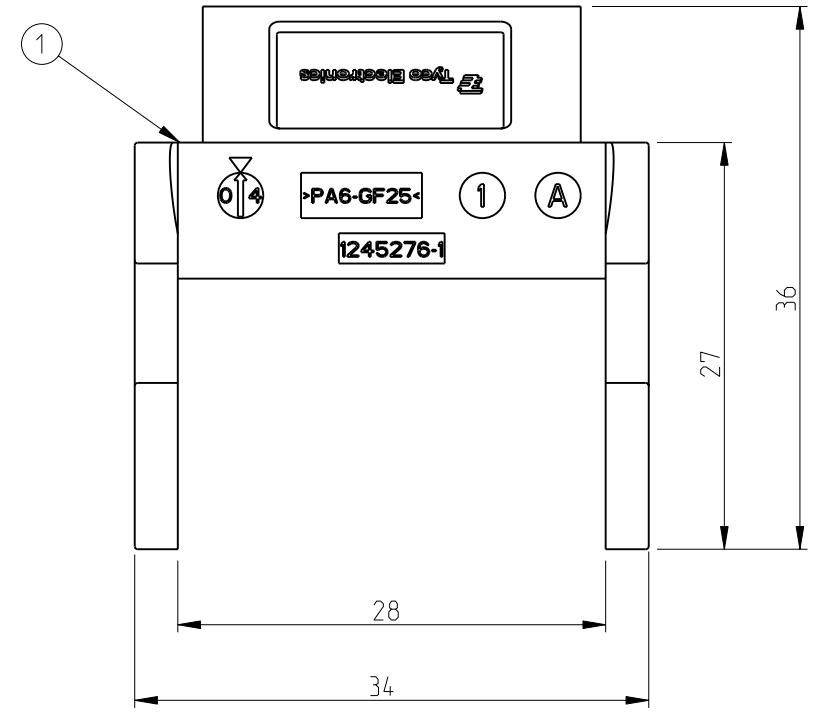
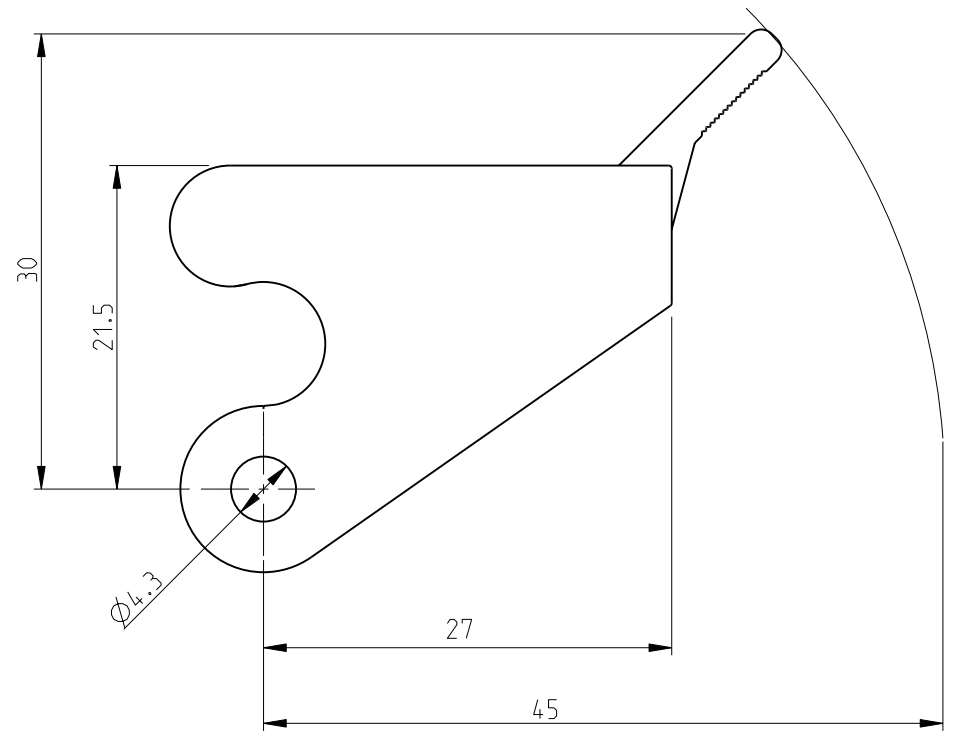
3

2

1

THIS DRAWING IS UNPUBLISHED. RELEASED FOR PUBLICATION 2011
 © COPYRIGHT 2000 ALL RIGHTS RESERVED.


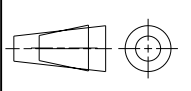
LOC	DIST	REVISIONS					
		P	LTR	DESCRIPTION	DATE	DWN	APVD
A1	-		A3	REVISED PER ECO-11-005107	24MAR2011	HMR	MM



PN: 0-2 as shown

Packaging quantity: 100 pieces

1	HG-Q. SIDE CLIP	SIDE CLIP	PA6.6-GF25	BLACK		1
0-2	ORDERING TEXT	DESCRIPTION	MATERIAL	SURFACE	NOTES	ITEM

THIS DRAWING IS A CONTROLLED DOCUMENT.		DWN Schneider 11.08.06	 TE Connectivity NAME SIDE CLIP HG-Q8 -			
DIMENSIONS: mm		CHK T.Schnurpfeil 11.08.06				
		APVD T.Schnurpfeil 11.08.06				
TOLERANCES UNLESS OTHERWISE SPECIFIED: n.ISO 8015: n.ISO 2768-MH-E: n.DIN 16901-120		PRODUCT SPEC 108-74052				
MATERIAL		APPLICATION SPEC 114-74064	SIZE A3	CAGE CODE 00779	DRAWING NO C-1245276	RESTRICTED TO -
FINISH		WEIGHT 0.001 KG	CUSTOMER DRAWING		SCALE 2:1	SHEET 1 OF 1
					REV A3	