



Chipsmall Limited consists of a professional team with an average of over 10 year of expertise in the distribution of electronic components. Based in Hongkong, we have already established firm and mutual-benefit business relationships with customers from,Europe,America and south Asia,supplying obsolete and hard-to-find components to meet their specific needs.

With the principle of “Quality Parts,Customers Priority,Honest Operation,and Considerate Service”,our business mainly focus on the distribution of electronic components. Line cards we deal with include Microchip,ALPS,ROHM,Xilinx,Pulse,ON,Everlight and Freescale. Main products comprise IC,Modules,Potentiometer,IC Socket,Relay,Connector.Our parts cover such applications as commercial,industrial, and automotives areas.

We are looking forward to setting up business relationship with you and hope to provide you with the best service and solution. Let us make a better world for our industry!



Contact us

Tel: +86-755-8981 8866 Fax: +86-755-8427 6832

Email & Skype: info@chipsmall.com Web: www.chipsmall.com

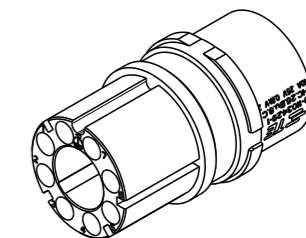
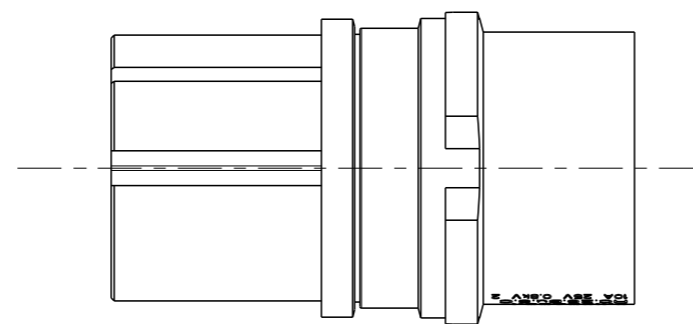
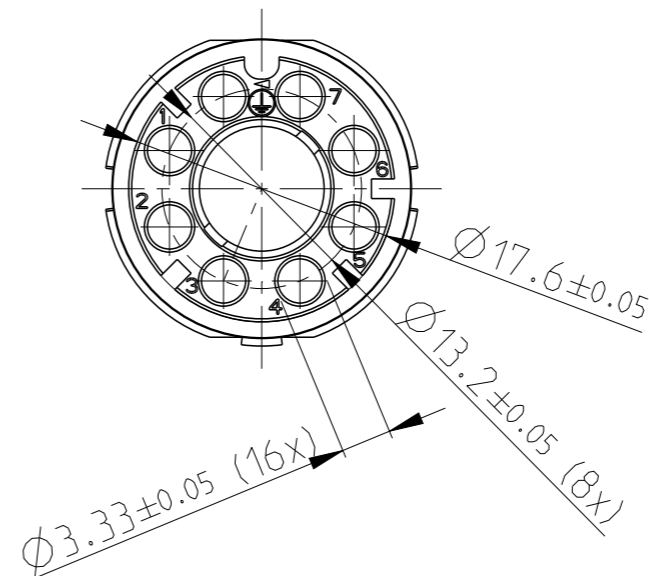
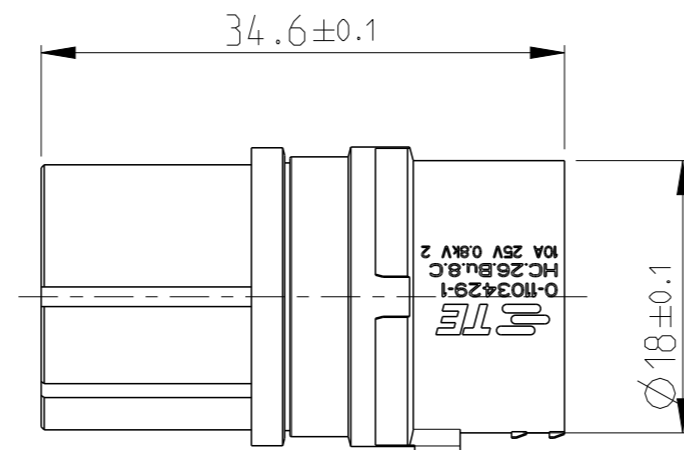
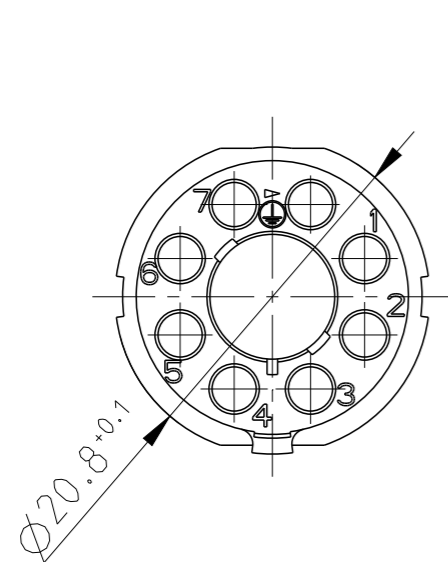
Address: A1208, Overseas Decoration Building, #122 Zhenhua RD., Futian, Shenzhen, China



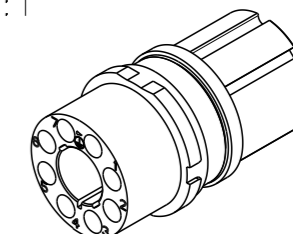
THIS DRAWING IS UNPUBLISHED
 VERTRAULICHE UNVERÖFFENTLICHTE ZEICHNUNG
 © COPYRIGHT 2015 BY TE Connectivity Germany GmbH
 RELEASED FOR PUBLICATION
 FREI FUER VERÖFFENTLICHUNG
 2015
 ALL RIGHTS RESERVED.
 ALLE RECHTE VORBEHALTEN.

MATED WITH:
 PASSEND ZU:
 PROJEKT NR.:
 EGGMN07404

P	LTR	DESCRIPTION BESCHREIBUNG	DATE	DWN	APVD
	G1	NEW DRAWING	25NOV2015	ER	DO
	G2	REV. PER ECR-16-000458	12JAN2016	ER	DO
	G3	LASER PRINTING ADDED PER PCN E-16-012156	24AUG2016	ER	DO



SCALE 1:1



-1 AS SHOWN
 -1 WIE GEZEICHNET

1 MATERIAL: PBT-GF10
 COLOR: GREY

DIESE ZEICHNUNG IST EIN KONTROLLIERTES DOKUMENT.
 BEMASSUNGEN UND TOLERANZEN GEMAESS GPS (ISO STANDARDS).

THIS DRAWING IS A CONTROLLED DOCUMENT.
 DIMENSIONING AND TOLERANCING PER GPS (ISO STANDARDS).

DIMENSIONS: MASSEINHEITEN: mm	TOLERANCES UNLESS OTHERWISE SPECIFIED: ALLGEMEINTOLERANZEN
	0 PLC ± 1 PLC ± 2 PLC ± 3 PLC ± 4 PLC ± ANGLES/WINKEL ±1°
MATERIAL	FINISH/OBERFLAECHE/FARBE
1	-

TOLERANCING ISO 8015 TOLERIERUNG ISO 8015	
DWN	E.REISS 25NOV2015
CHK	D.ONDREJ 25NOV2015
APVD	D.ONDREJ 25NOV2015
PRODUCT SPEC	108-94485
APPLICATION SPEC	114-94369
WEIGHT	6.93g
CUSTOMER DRAWING	

NAME		FEMALE INSERT SERIES HC26, 8-POS., TYPE III+	
SIZE	A3	CAGE CODE	00779
DRAWING NO	ZEICHNUNGS-NR.		G=1245611
RESTRICTED TO	NUR FUER		-
SCALE	MASSSTAB	2:1	SHEET
BLATT	1	OF	1
REV	G3		

