



Chipsmall Limited consists of a professional team with an average of over 10 year of expertise in the distribution of electronic components. Based in Hongkong, we have already established firm and mutual-benefit business relationships with customers from,Europe,America and south Asia,supplying obsolete and hard-to-find components to meet their specific needs.

With the principle of “Quality Parts,Customers Priority,Honest Operation,and Considerate Service”,our business mainly focus on the distribution of electronic components. Line cards we deal with include Microchip,ALPS,ROHM,Xilinx,Pulse,ON,Everlight and Freescale. Main products comprise IC,Modules,Potentiometer,IC Socket,Relay,Connector.Our parts cover such applications as commercial,industrial, and automotives areas.

We are looking forward to setting up business relationship with you and hope to provide you with the best service and solution. Let us make a better world for our industry!



## Contact us

Tel: +86-755-8981 8866 Fax: +86-755-8427 6832

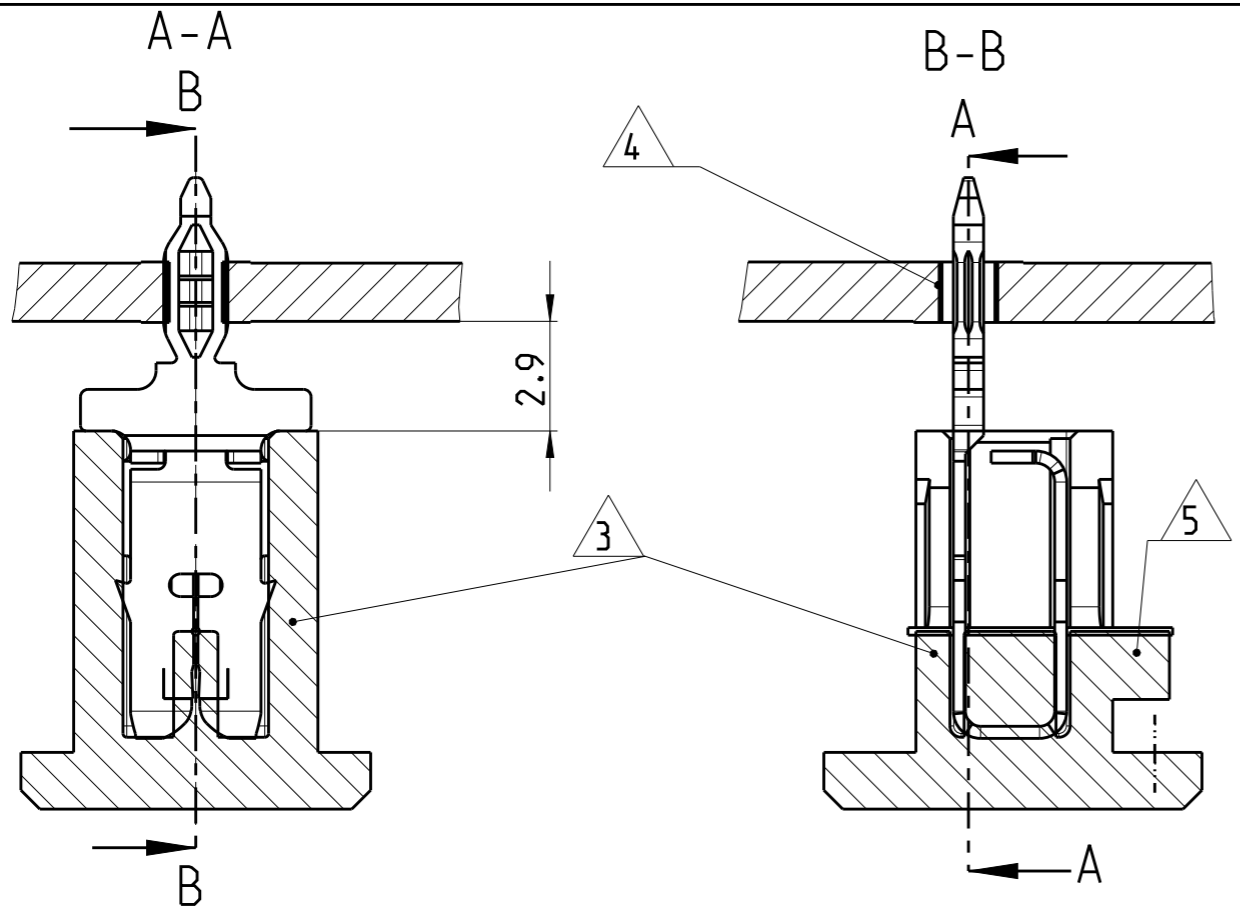
Email & Skype: info@chipsmall.com Web: www.chipsmall.com

Address: A1208, Overseas Decoration Building, #122 Zhenhua RD., Futian, Shenzhen, China

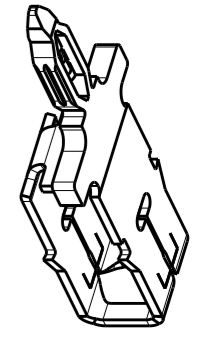


THIS DRAWING IS UNPUBLISHED. RELEASED FOR PUBLICATION 2012  
 © COPYRIGHT 2012 Tyco Electronics AMP GmbH ALL RIGHTS RESERVED.

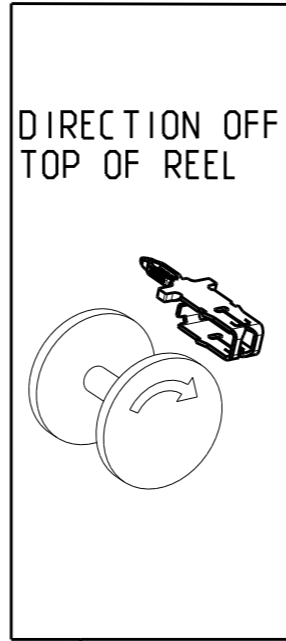
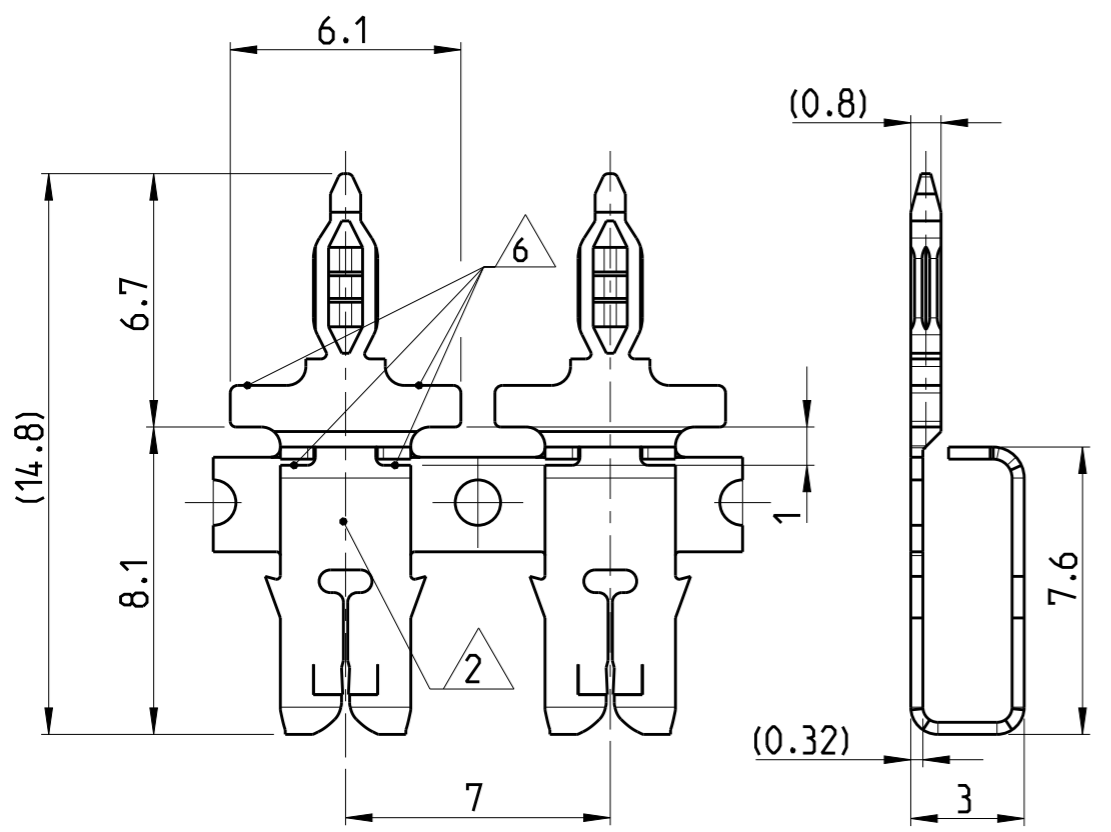
LOC	DIST	REVISIONS			
P	LTR	DESCRIPTION	DATE	DWN	APVD
A1	-	A5	REVISED PER ECO-16-015988	07NOV16	RS KR



- 1 SLOT ACCEPTS SINGLE OR DOUBLE COPPER MAGNET WIRE (SEE TABLE)
- 2 IDENTIFICATION NUMBER FOR MAGNET WIRE RANGE
- 3 CONTACT CAVITY AND APPLICATION ACC. SPECIFICATION 114-74109. (SEE TABLE)
- 4 PCB LAYOUT (HOLES ACC. SPECIFICATION. 108-90801)
- 5 CUTTING LINE: AREA WILL BE CUTTED OFF BY TERMINATION
- 6 AREA FOR INSERTION TOOL
- 7 DELIVERY STATE: STRIP ON CORRUGATED REEL WITH PAPER INTERLAYER
- 8 To Be APPROVED. ON DEMAND BY TE ENGINEERING
- 9 MAX.2 SPLICES PER REEL; SPLICES BE NOT BONDED TOGETHER



10 PRELIMINARY. NOT FOR PRODUCTION



IDENTIFICATION NO	DOUBLE WIRE	SINGLE WIRE	DOUBLE WIRE	SINGLE WIRE	REV.	PART NO
	1 AWG BARE WIRE RANGE	1 AWG BARE WIRE RANGE	1 BARE WIRE RANGE	1 BARE WIRE RANGE		
33	-	16.5-16	-	Ø1.20mm to Ø1.30mm	A	0-2238145-2
24	-	19.5 - 17.5; 17	-	Ø 0.85mm to Ø 1.12mm	A	0-1247004-2
12	-	22.5 - 20; 19.5	-	Ø 0.63mm to Ø 0.85mm	A	0-1247003-2
10	26 - 23	26 - 22.5	Ø 0.4mm to Ø 0.56mm	Ø 0.4mm to Ø 0.63mm	A	0-1247002-2
6	29.5 - 26.5; 26	29.5 - 26.5; 26	Ø 0.265mm to Ø 0.4mm	Ø 0.265mm to Ø 0.4mm	A	0-1247001-2
4	33 - 30; 29.5	33 - 30; 29.5	Ø 0.18mm to Ø 0.265mm	Ø 0.18mm to Ø 0.265mm	A	0-1247000-2

THIS DRAWING IS A CONTROLLED DOCUMENT.

DIMENSIONS: mm	TOLERANCES UNLESS OTHERWISE SPECIFIED:	DWN H. Ballmert 04 JUN 2012	TE Connectivity <b>MAG-MATE 300 SERIES WITH MULTISPRING</b>				
	0 PLC ±0.2 1 PLC ±0.2 2 PLC ±0.2 3 PLC ±0.2 4 PLC ±0.2 ANGLES ±1°	CHK B. Schnaubelt 04 JUN 2012					
		APVD T. Klenner 04 JUN 2012					
		PRODUCT SPEC 108-74116					
MATERIAL COPPER ALLOY	FINISH POSTTINNED	APPLICATION SPEC 114-74109	<table border="1"> <tr> <td>SIZE A3</td> <td>CAGE CODE 00779</td> <td>DRAWING NO C-1247000</td> <td>RESTRICTED TO -</td> </tr> </table>	SIZE A3	CAGE CODE 00779	DRAWING NO C-1247000	RESTRICTED TO -
SIZE A3	CAGE CODE 00779	DRAWING NO C-1247000	RESTRICTED TO -				
CUSTOMER DRAWING			<table border="1"> <tr> <td>WEIGHT 0.25g/prt</td> <td>SCALE 5:1</td> <td>SHEET 1 OF 1</td> <td>REV A5</td> </tr> </table>	WEIGHT 0.25g/prt	SCALE 5:1	SHEET 1 OF 1	REV A5
WEIGHT 0.25g/prt	SCALE 5:1	SHEET 1 OF 1	REV A5				