



Chipsmall Limited consists of a professional team with an average of over 10 year of expertise in the distribution of electronic components. Based in Hongkong, we have already established firm and mutual-benefit business relationships with customers from,Europe,America and south Asia,supplying obsolete and hard-to-find components to meet their specific needs.

With the principle of “Quality Parts,Customers Priority,Honest Operation,and Considerate Service”,our business mainly focus on the distribution of electronic components. Line cards we deal with include Microchip,ALPS,ROHM,Xilinx,Pulse,ON,Everlight and Freescale. Main products comprise IC,Modules,Potentiometer,IC Socket,Relay,Connector.Our parts cover such applications as commercial,industrial, and automotives areas.

We are looking forward to setting up business relationship with you and hope to provide you with the best service and solution. Let us make a better world for our industry!



## Contact us

Tel: +86-755-8981 8866 Fax: +86-755-8427 6832

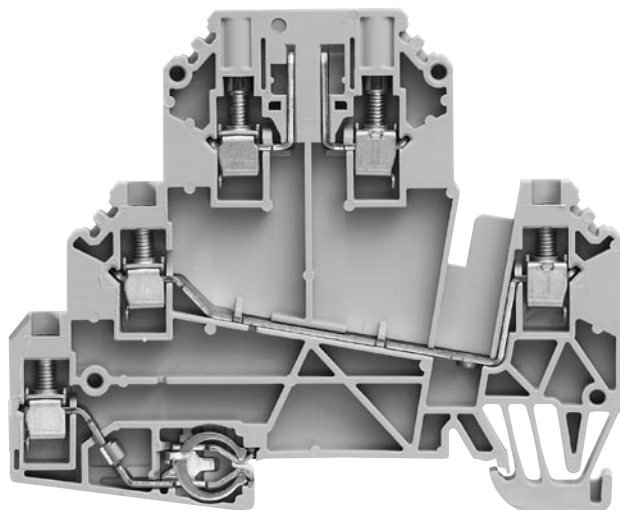
Email & Skype: info@chipsmall.com Web: www.chipsmall.com

Address: A1208, Overseas Decoration Building, #122 Zhenhua RD., Futian, Shenzhen, China



## Modular Terminal Blocks Double-Tier Terminal Block for space saving DCS marshalling WDK 2.5 DU PE TR

# NEW



The new WDK 2.5 DU PE TR multiple level terminal blocks are designed to reduce cabinet space and increase functionality in signal-loop circuit installations. By connecting the signal wire to the upper level, the neutral to the lower level and the shield to the integrated PE contact, a signal loop can be connected to just one terminal.

The unique integrated PE contact also eliminates the need for a separate PE terminal block and reduces needed cabinet space. At only 5.1mm wide, the new WDK 2.5 DU PE TR is one of the highest wiring density solutions in screw-clamp termination for DCS marshalling or PLC applications.

In addition, the upper level can accommodate a disconnect lever (TNST) or pluggable fuse holder (SIHA) for certain applications.

- For use as disconnect in upper level please order disconnect plug TNST, 1833090000.
- For use as fuse block with 5x20 glass fuse in the upper level please order SIHA, 7921560000.

### Weidmüller, Canada

10 Spy Court  
Markham, Ontario L3R 5H6  
Telephone: (800) 268-4080  
Facsimile: (877) 300-5635  
Email: [info1@weidmuller.ca](mailto:info1@weidmuller.ca)  
Website: [www.weidmuller.ca](http://www.weidmuller.ca)

### Weidmüller, Mexico

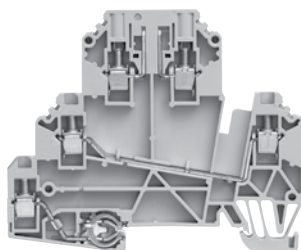
Bld. Hermanos Serdán 698  
Col. San Rafael Oriente  
Puebla, Puebla, Mexico  
C.P. 72029  
Telephone: 01 222 2686267  
Facsimile: 01 222 2686219  
Email: [clientes@weidmuller.com.mx](mailto:clientes@weidmuller.com.mx)  
Website: [www.weidmuller.com.mx](http://www.weidmuller.com.mx)

### Weidmüller, United States

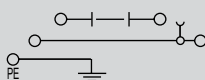
821 Southlake Blvd.  
Richmond, Virginia 23236  
Telephone: (800) 849-9343  
Facsimile: (804) 379-2593  
Email: [info@weidmuller.com](mailto:info@weidmuller.com)  
Website: [www.weidmuller.com](http://www.weidmuller.com)

# Feed-through Terminals

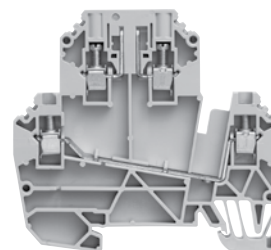
## WDK 2.5/TR-DU-PE 2.5mm<sup>2</sup>



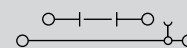
5.1 x 80.5 x 66  
24 A / 4  
0.5 ... 4



## WDK 2.5/TR-DU 2.5mm<sup>2</sup>



5.1 x 72.5 x 66  
24 A / 4  
0.5 ... 4



In hazardous area applications, the installation instructions and the rated data specifications for accessories given in the technical appendix must be followed.

**Width / Length / Height with TS35x7.5** mm  
max. current / max. cond. cross-section A / mm<sup>2</sup>  
Max. clamping range mm<sup>2</sup>

### Technical data

Rated data	
Rated voltage	V
Rated current	A
Rated cross-section	mm <sup>2</sup>
Rated impulse voltage / Pollution severity	kV/-
Gauge to IEC 60947-1 / UL94 Flammability class	

### Approvals

### Clamped conductors (H05V/H07V)

Solid / stranded	mm <sup>2</sup>
Flexible / stranded wire with end ferrules	mm <sup>2</sup>
Tightening torque range (clamping screw)	
Stripping length / Blade size	mm/-

### Note

### Ordering data

	Dark beige Wemid
	Dark beige Wemid
	Dark beige Wemid
	Dark beige Wemid

### Note

### Accessories

#### Screwable cross-connection

	2-pole
	3-pole
	4-pole
	10-pole

#### End plate / partition

Dark beige Wemid

#### End bracket

Dark beige Wemid

#### Screwdriver

Standard

#### Fuse holder



#### Component plug

#### Disconnect plug



#### Marking systems (see assortment in catalog 7)

Marking tags

For detailed information on other accessories and applications, refer to the "Accessories" section

IEC	UL	CSA	EN 60079-7
690	300	300	
24	20	20	
2.5	AWG 30...12	AWG 30...12	
8 / 3			
A2 / V-0			



### Rated connection

0.5...4 / 0.5...2.5
0.5...2.5 / 0.5...2.5
0.4...0.6 Nm (M2.5)
10 / 0.6 x 3.5

For use as disconnect use accessory TNST for upper level.  
For use as fuse block use accessory SIHA for upper level.

Type	Qty.	Part No.
WDK 2.5/TR-DU-PE	50	1247420000
WDK 2.5/TR-DU-PE STB	50	1247430000
WDK 2.5/TR-DU-PE/o TNHE	50	1833640000
WDK 2.5/TR-DU-PE/o TNHE StB	50	1833670000

Type	current [A]	Qty.	Part No.
WQV 2.5/2	50	50	1053660000
WQV 2.5/3	50	50	1053760000
WQV 2.5/4	50	50	1053860000
WQV 2.5/10	50	50	1054460000

#### Width [mm]

WAP WDK 2.5N/TR-DU	2	20	1839850000
--------------------	---	----	------------

#### Width [mm]

WEW 35/2	8	20	1061200000
----------	---	----	------------

SD 0.6x3.5x100	1	9008330000
----------------	---	------------

SIHA 3/G20/LD 140-250V	25	7921600000
SIHA 3/G20	25	7921560000
SIHA 3/G20/LD 10-36V	25	7921570000

BEST/D	50	1878560000
BEST	50	1833100000
BEST/DRBR	50	1878570000

TNST	50	1833090000
------	----	------------

Type	Qty	Part No.
DEK 5/5	1000	1609801044

IEC	UL	CSA	EN 60079-7
690	300	300	
24	20	20	
2.5	AWG 30...12	AWG 30...12	
8 / 3			
A2 / V-0			



### Rated connection

0.5...4 / 0.5...2.5
0.5...2.5 / 0.5...2.5
0.4...0.6 Nm (M2.5)
10 / 0.6 x 3.5

For use as disconnect use accessory TNST for upper level.  
For use as fuse block use accessory SIHA for upper level.

Type	Qty.	Part No.
WDK 2.5/TR-DU	50	1247290000
WDK 2.5/TR-DU STB	50	1247310000
WDK 2.5/TR-DU/o TNHE	50	1833600000
WDK 2.5/TR-DU/o TNHE StB	50	1833610000

Type	current [A]	Qty.	Part No.
WQV 2.5/2	50	50	1053660000
WQV 2.5/3	50	50	1053760000
WQV 2.5/4	50	50	1053860000
WQV 2.5/10	50	50	1054460000

#### Width [mm]

WAP WDK 2.5N/TR-DU	2	20	1839850000
--------------------	---	----	------------

#### Width [mm]

WEW 35/2	8	20	1061200000
----------	---	----	------------

SD 0.6x3.5x100	1	9008330000
----------------	---	------------

SIHA 3/G20/LD 140-250V	25	7921600000
SIHA 3/G20	25	7921560000
SIHA 3/G20/LD 10-36V	25	7921570000

BEST/D	50	1878560000
BEST	50	1833100000
BEST/DRBR	50	1878570000

TNST	50	1833090000
------	----	------------

Type	Qty	Part No.
DEK 5/5	1000	1609801044