



Chipsmall Limited consists of a professional team with an average of over 10 year of expertise in the distribution of electronic components. Based in Hongkong, we have already established firm and mutual-benefit business relationships with customers from,Europe,America and south Asia,supplying obsolete and hard-to-find components to meet their specific needs.

With the principle of “Quality Parts,Customers Priority,Honest Operation,and Considerate Service”,our business mainly focus on the distribution of electronic components. Line cards we deal with include Microchip,ALPS,ROHM,Xilinx,Pulse,ON,Everlight and Freescale. Main products comprise IC,Modules,Potentiometer,IC Socket,Relay,Connector.Our parts cover such applications as commercial,industrial, and automotives areas.

We are looking forward to setting up business relationship with you and hope to provide you with the best service and solution. Let us make a better world for our industry!



Contact us

Tel: +86-755-8981 8866 Fax: +86-755-8427 6832

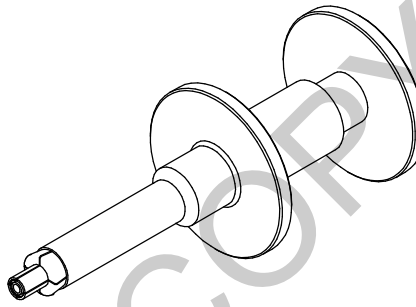
Email & Skype: info@chipsmall.com Web: www.chipsmall.com

Address: A1208, Overseas Decoration Building, #122 Zhenhua RD., Futian, Shenzhen, China

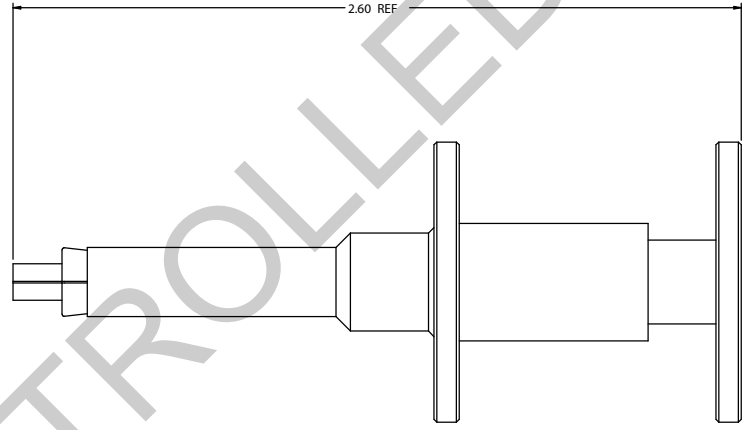
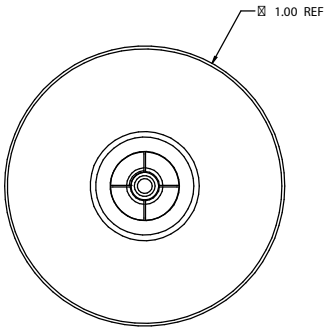


PART NUMBER	BODY	COLLET
125-0000-901	STAINLESS STEEL PASSIVATED	BERYLLIUM COPPER GOLD PLATED

DRAWING NO. 125-0000-901	
REVISIONS	
RELEASE	
1	4-9-13
	ECO-13-0089



2:1



THIS DRAWING TO BE INTERPRETED
PER ANSI Y 14.5M - 1994

CUSTOMER COPY

TOLERANCE UNLESS OTHERWISE SPECIFIED		DRAWN BY R.SHEN	DATE 01-20-13
DECIMALS	INCH	CHECKED BY R.SHEN	DATE 01-20-13
X.X	+0.02	APPROVED BY L.MA	DATE 01-21-13
X.XX	+0.01		
X.XXX	+0.003		
ANGLES	+ 0.5°	U/M	INCH

cinch
CONNECTIVITY SOLUTIONS
a bel group

Connectivity Solutions

TITLE
SMPM BULLET ADAPTER
INSTALLATION/EXTRACTION TOOL

THIS DRAWING WAS PRODUCED BY COMPUTER,
DO NOT SCALE DRAWING OR UPDATE MANUALLY.

SHEET 1 OF 1	DRAWING NO. 125-0000-901	SIZE C
-----------------	-----------------------------	-----------

UNCONTROLLED COPY