



Chipsmall Limited consists of a professional team with an average of over 10 year of expertise in the distribution of electronic components. Based in Hongkong, we have already established firm and mutual-benefit business relationships with customers from,Europe,America and south Asia,supplying obsolete and hard-to-find components to meet their specific needs.

With the principle of “Quality Parts,Customers Priority,Honest Operation,and Considerate Service”,our business mainly focus on the distribution of electronic components. Line cards we deal with include Microchip,ALPS,ROHM,Xilinx,Pulse,ON,Everlight and Freescale. Main products comprise IC,Modules,Potentiometer,IC Socket,Relay,Connector.Our parts cover such applications as commercial,industrial, and automotives areas.

We are looking forward to setting up business relationship with you and hope to provide you with the best service and solution. Let us make a better world for our industry!



Contact us

Tel: +86-755-8981 8866 Fax: +86-755-8427 6832

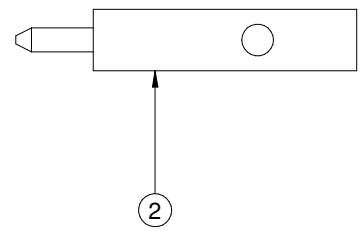
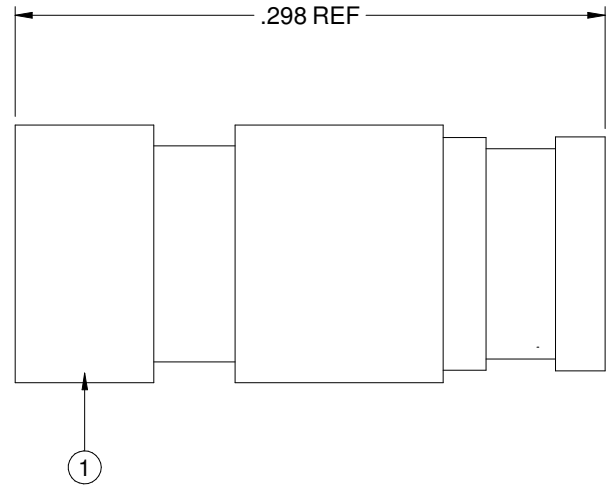
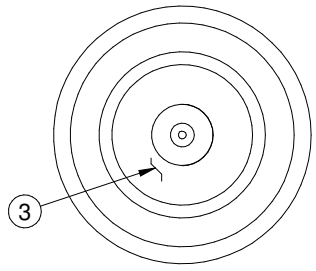
Email & Skype: info@chipsmall.com Web: www.chipsmall.com

Address: A1208, Overseas Decoration Building, #122 Zhenhua RD., Futian, Shenzhen, China



REV	ECO	DATE
1	ECO-16-0037	4/7/2016

PART NUMBER	ITEM ① BODY	ITEM ② CONTACT	ITEM ③ INSULATOR
125-0593-001	BERYLLIUM COPPER GOLD PL .00005 MIN OVER NICKEL PL.00005 MIN OVER COPPER PL.00005 MIN	BERYLLIUM COPPER GOLD PL .00005 MIN OVER NICKEL PL.00005 MIN OVER COPPER PL.00005 MIN	TEFLON



SPECIFICATION:

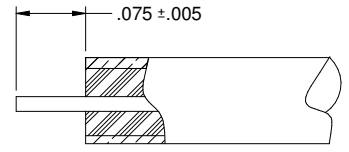
IMPEDANCE: 50 OHMS
 FREQUENCY RANGE: 0-40GHz
 VSWR: 1.15 MAX TO 26.5GHz, 1.30 MAX TO 40GHz
 INSERTION LOSS: 0.12 √F dB MAX (F IN GHz)
 DIELECTRIC WITHSTANDING VOLTAGE: 325 VRMS MIN AT SEA LEVEL
 INSULATION RESISTANCE: 5000 MEGOHM MIN
 CONTACT RESISTANCE:
 CENTER CONTACT - INITIAL 6 MILLIOHM MAX, AFTER ENVIRONMENTAL NOT APPLICABLE
 OUTER CONDUCTOR - INITIAL 2 MILLIOHM MAX, AFTER ENVIRONMENTAL NOT APPLICABLE
 RF LEAKAGE: -80dB TYPICAL AT 3GHz

MECHANICAL:

ENGAGEMENT FORCE: 4.5LBS TYPICAL
 DISENGAGEMENT FORCE: 6.5LBS TYPICAL
 CONTACT RETENTION: 1.5 LBS MIN AXIAL FORCE
 DURABILITY: 100 CYCLES MIN

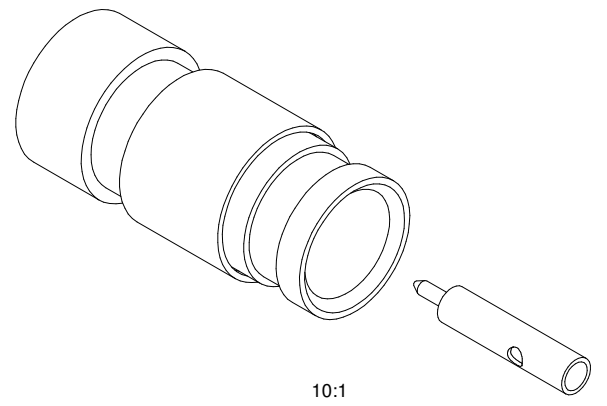
ENVIRONMENTAL:

OPERATING TEMPERATUR: -65 TO 165 °C
 THERMAL SHOCK: MIL-STD-202, METHOD 107, CONDITION B
 MECHANICAL SHOCK: MIL-STD-202, METHOD 213, CONDITION I
 CORROSION: MIL-STD-202, METHOD 101
 VIBRATION: MIL-STD-202, METHOD 204
 MOISTURE RESISTANCE: MIL-STD-202, MEHTOD 106, EXCEPT STEP 7B



CABLE STRIP DIMENSION

10:1



10:1

	Material:	Model No.	Title: SMPM MALE FULL DETENT SR .086" STRAIGHT	
	SEE NOTE	RoHS2 <input checked="" type="checkbox"/> 2011/65/EU	Cage Code	Drawing No. 125-0593-001
<small>The PROPRIETARY Documents is property of Cinch Connectivity Solutions, Inc. and its affiliates. All rights reserved. No part of this document may be reproduced, stored in a retrieval system, or transmitted, in any form or by any means, electronic, mechanical, photocopying, recording, or by any information storage and retrieval system, without prior written permission from Cinch Connectivity Solutions, Inc.</small>	Finish: SEE NOTE	UNLESS OTHERWISE SPECIFIED 2015 IPC .XX ±.01 .XXX ±.003 .XXXX ±.0010 ANGLES ±1°00'	3RD ANGLE PROJECTION 	Rev. 1
<small>INTERPRET DRAWINGS IN ACCORDANCE WITH ASME Y14.5-2009</small>	Workmanship Std:	Date: 4/7/2016	Drawn by: R.SHEN	Sheet 1 of 1
		Size B	DO NOT SCALE DRAWING	