



Chipsmall Limited consists of a professional team with an average of over 10 year of expertise in the distribution of electronic components. Based in Hongkong, we have already established firm and mutual-benefit business relationships with customers from,Europe,America and south Asia,supplying obsolete and hard-to-find components to meet their specific needs.

With the principle of "Quality Parts,Customers Priority,Honest Operation,and Considerate Service",our business mainly focus on the distribution of electronic components. Line cards we deal with include Microchip,ALPS,ROHM,Xilinx,Pulse,ON,Everlight and Freescale. Main products comprise IC,Modules,Potentiometer,IC Socket,Relay,Connector.Our parts cover such applications as commercial,industrial, and automotives areas.

We are looking forward to setting up business relationship with you and hope to provide you with the best service and solution. Let us make a better world for our industry!



## Contact us

Tel: +86-755-8981 8866 Fax: +86-755-8427 6832

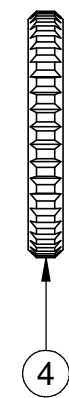
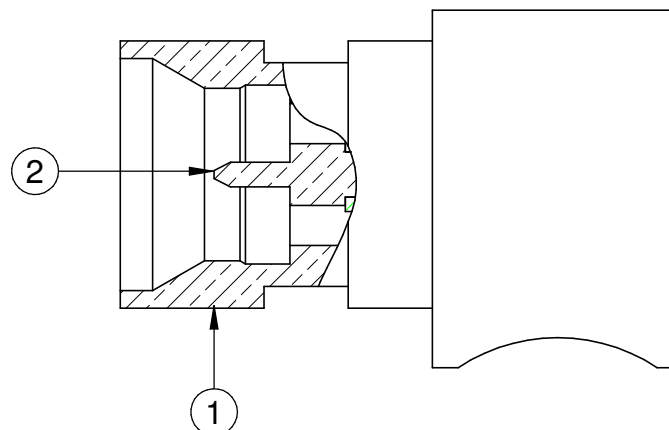
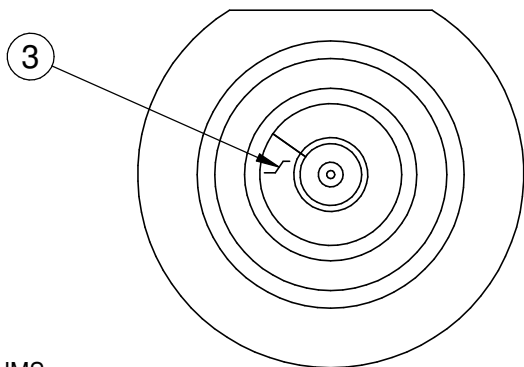
Email & Skype: info@chipsmall.com Web: www.chipsmall.com

Address: A1208, Overseas Decoration Building, #122 Zhenhua RD., Futian, Shenzhen, China



PART NUMBER	ITEM① BODY	ITEM ② CONTACT	ITEM③ INSULATOR	ITEM④ END CAP	REV	ECO	DATE
125-0593-101	BERYLLIUM COPPER GOLD PL .00005 MIN OVER NICKEL PL.00005 MIN OVER COPPER PL.00005 MIN	BERYLLIUM COPPER GOLD PL .00005 MIN OVER NICKEL PL.00005 MIN OVER COPPER PL.00005 MIN	TEFLON	BRASS GOLD PL .00001 MIN OVER NICKEL PL.00005 MIN OVER COPPER PL.00005 MIN	001	ECO-17-0028	2017/09/28

*LinMa*  
REVISIONS  
 1. 09/28/17  
 2. 09/28/17  
 3. 09/28/17  
 4. 09/28/17



**SPECIFICATION:**

**ELECTRICAL:**

IMPEDANCE: 50 OHMS  
 FREQUENCY RANGE: 0-20GHz  
 VSWR: 1.10 MAX TO 10GHz, 1.25 MAX TO 20GHz  
 INSERTION LOSS: 0.12 √F dB MAX (F IN GHz)  
 DIELECTRIC WITHSTANDING VOLTAGE: 325 VRMS MIN AT SEA LEVEL  
 INSULATION RESISTANCE: 5000 MEGOHM MIN

**CONTACT RESISTANCE:**

CENTER CONTACT - INITIAL 6 MILLIOHM MAX, AFTER ENVIRONMENTAL NOT APPLICABLE  
 OUTER CONDUCTOR - INITIAL 2 MILLIOHM MAX, AFTER ENVIRONMENTAL NOT APPLICABLE

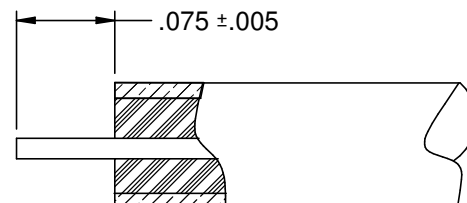
RF LEAKAGE: -80dB TYPICAL AT 3GHz

**MECHANICAL:**

ENGAGEMENT FORCE: 4.5LBS TYPICAL  
 DISENGAGEMENT FORCE: 6.5LBS TYPICAL  
 CONTACT RETENTION: 1.5 LBS MIN AXIAL FORCE  
 DURABILITY: FD 100 CYCLES MIN; SB 500 CYCLES MIN

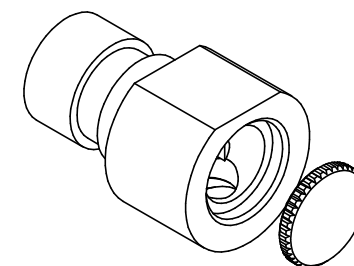
**ENVIRONMENTAL:**

OPERATING TEMPERATUR: -65 TO 165°C  
 THERMAL SHOCK: MIL-STD-202, METHOD 107, CONDITION B  
 MECHANICAL SHOCK: MIL-STD-202, METHOD 213, CONDITION I  
 CORROSION: MIL-STD-202, METHOD 101  
 VIBRATION: MIL-STD-202, METHOD 204  
 MOISTURE RESISTANCE: MIL-STD-202, MEHTOD 106, EXCEPT STEP 7B



**CABLE STRIP DIMENSION**

10:1



5:1

 <small>This PROPRIETARY Document is property of Cinch Connectivity Solutions. It is confidential in nature, non-transferable, and drawn with the clear understanding that it is not to be used or copied without permission and is returnable upon demand.</small> <small>INTERPRET DRAWING IN ACCORDANCE WITH ASME Y14.5-2009.</small>	Model No. 125-0593-101	<b>JOHNSON</b>		
	RoHS2 <input checked="" type="checkbox"/> 2011/65/EU	Cage Code	Title: SMPM MALE FULL DETENT SR .086" R/A	
	UNLESS OTHERWISE SPECIFIED: UNITS: INCH .XX ±.01 .XXX ±.003 .XXXX ±.0010 ANGLES ±1'00"	3RD ANGLE PROJECTION 	Drawing No. 125-0593-101	Rev. 1
	Date: 9/8/2016	Drawn by: R.SHEN	Size A	DO NOT SCALE DRAWING