



Chipsmall Limited consists of a professional team with an average of over 10 year of expertise in the distribution of electronic components. Based in Hongkong, we have already established firm and mutual-benefit business relationships with customers from,Europe,America and south Asia,supplying obsolete and hard-to-find components to meet their specific needs.

With the principle of "Quality Parts,Customers Priority,Honest Operation,and Considerate Service",our business mainly focus on the distribution of electronic components. Line cards we deal with include Microchip,ALPS,ROHM,Xilinx,Pulse,ON,Everlight and Freescale. Main products comprise IC,Modules,Potentiometer,IC Socket,Relay,Connector.Our parts cover such applications as commercial,industrial, and automotives areas.

We are looking forward to setting up business relationship with you and hope to provide you with the best service and solution. Let us make a better world for our industry!



## Contact us

Tel: +86-755-8981 8866 Fax: +86-755-8427 6832

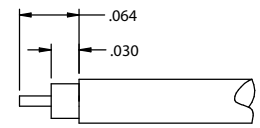
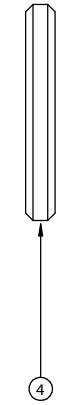
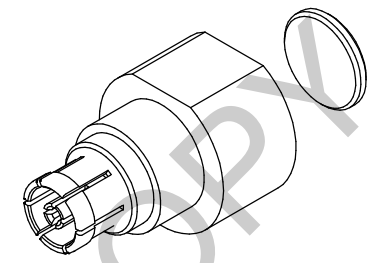
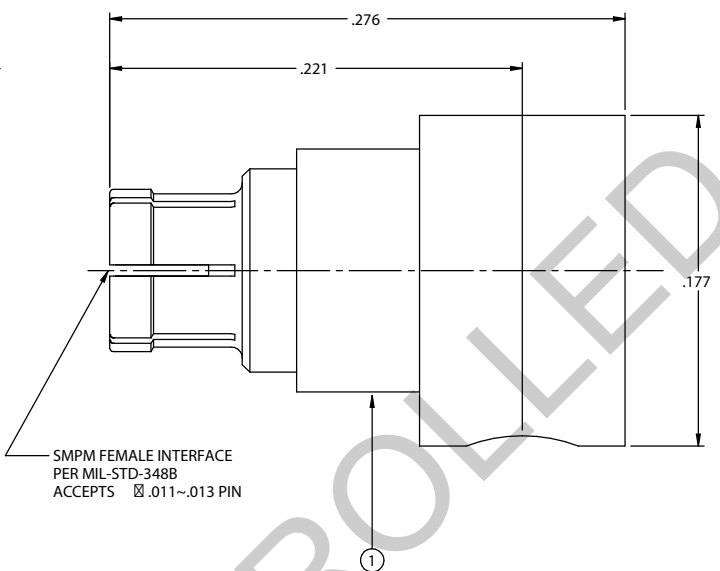
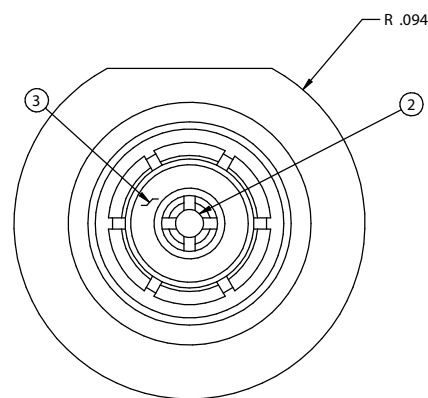
Email & Skype: info@chipsmall.com Web: www.chipsmall.com

Address: A1208, Overseas Decoration Building, #122 Zhenhua RD., Futian, Shenzhen, China



PART NUMBER	ITEM 1 BODY	ITEM 2 CONTACT	ITEM 3 INSULATOR	ITEM 4 END CAP
125-0692-101	BERYLLIUM COPPER GOLD PL. .00005 MIN OVER NICKEL PL.00005 MIN OVER COPPER PL.00005 MIN	BERYLLIUM COPPER GOLD PL. .00005 MIN OVER NICKEL PL.00005 MIN OVER COPPER PL.00005 MIN	TEFLON	BRASS GOLD PL. .00001 MIN OVER NICKEL PL.00005 MIN OVER COPPER PL.00005 MIN

DRAWING NO. 125-0692-101	
REVISIONS	
1	RELEASE
7-28-2013	R S L M ECO-13-0205



CABLE STRIP DIMENSION  
10:1

SPECIFICATION:

IMPEDANCE: 50 OHMS  
 FREQUENCY RANGE: 0-40GHz  
 VSWR: 1.10 MAX TO 10GHz, 1.25 MAX TO 20GHz  
 INSERTION LOSS: 0.12 dB MAX (F IN GHz)  
 DIELECTRIC WITHSTANDING VOLTAGE: 325 VRMS MIN AT SEA LEVEL  
 INSULATION RESISTANCE: 5000 MEGOHM MIN  
 CONTACT RESISTANCE:  
 CENTER CONTACT - INITIAL 6 MILLIOHM MAX, X, AFTER ENVIRONMENTAL NOT APPLICABLE  
 OUTER CONDUCTOR - INITIAL 2 MILLIOHM MAX, AFTER ENVIRONMENTAL NOT APPLICABLE  
 RF LEAKAGE: -80dB TYPICAL AT 3GHz

MECHANICAL:

ENGAGEMENT FORCE: FULL DETENT(FD) 4.5LBS TYPICAL; SMOOTH BORE(SB) 2.5LBS TYPICAL  
 DISENGAGEMENT FORCE: FD 6.5LBS TYPICAL; SB 1.5LB  
 CONTACT RETENTION: 1.5 LBS MIN AXIAL FORCE  
 DURABILITY: FD 100 CYCLES MIN; SB 500 CYCLES MIN

ENVIRONMENTAL:

OPERATING TEMPERATURE: -65 TO 165°C  
 THERMAL SHOCK: MIL-STD-202, METHOD 107, CONDITION B  
 MECHANICAL SHOCK: MIL-STD-202, METHOD 213, CONDIT ION I  
 CORROSION: MIL-STD-202, METHOD 101  
 VIBRATION: MIL-STD-202, METHOD 204  
 MOISTURE RESISTANCE: MIL-STD-202, MEHTOD 106, EXC EPT STEP 7B

THIS DRAWING TO BE INTERPRETED  
PER ANSI Y 14.5M - 1994

CUSTOMER COPY

TOLERANCE UNLESS OTHERWISE SPECIFIED		DRAWN BY R.SHEN	DATE 1-27-2013
DECIMALS	INCH	CHECKED BY R.SHEN	DATE 1-27-2013
.XX	±0.010	APPROVED BY L.MA	DATE 1-28-2013
X.XX	±0.005	U/M	INCH
X.XXX	±0.003		
ANGLES	±0.5°		
THIS DRAWING WAS PRODUCED BY COMPUTER, DO NOT SCALE DRAWING OR UPDATE MANUALLY.			

	Connectivity Solutions	
	TITLE SMPM FEMALE RIGHT ANGLE CABLED .047 SEMI-RIGID	
SHEET 1 OF 1	DRAWING NO. 125-0692-101	SIZE C