



Chipsmall Limited consists of a professional team with an average of over 10 year of expertise in the distribution of electronic components. Based in Hongkong, we have already established firm and mutual-benefit business relationships with customers from,Europe,America and south Asia,supplying obsolete and hard-to-find components to meet their specific needs.

With the principle of “Quality Parts,Customers Priority,Honest Operation,and Considerate Service”,our business mainly focus on the distribution of electronic components. Line cards we deal with include Microchip,ALPS,ROHM,Xilinx,Pulse,ON,Everlight and Freescale. Main products comprise IC,Modules,Potentiometer,IC Socket,Relay,Connector.Our parts cover such applications as commercial,industrial, and automotives areas.

We are looking forward to setting up business relationship with you and hope to provide you with the best service and solution. Let us make a better world for our industry!



## Contact us

Tel: +86-755-8981 8866 Fax: +86-755-8427 6832

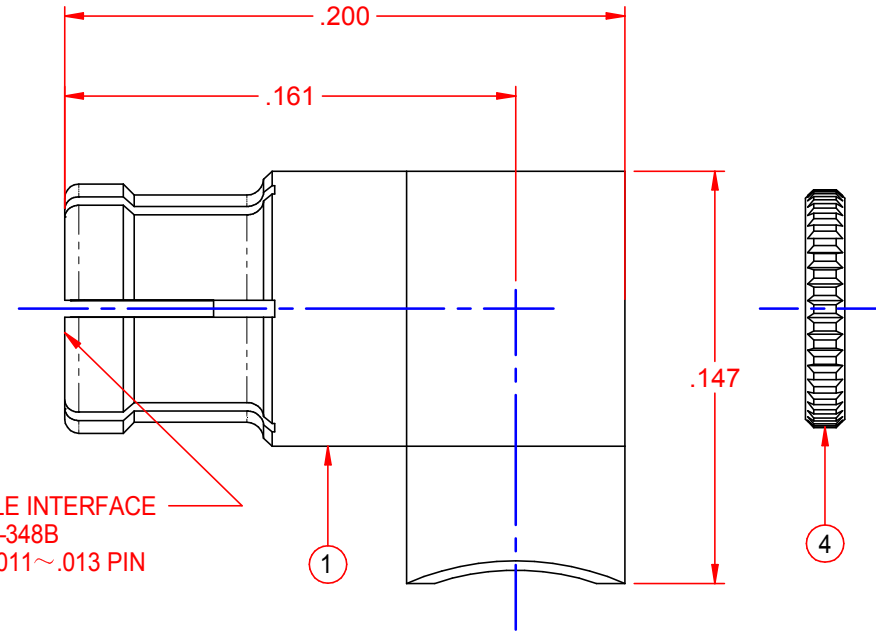
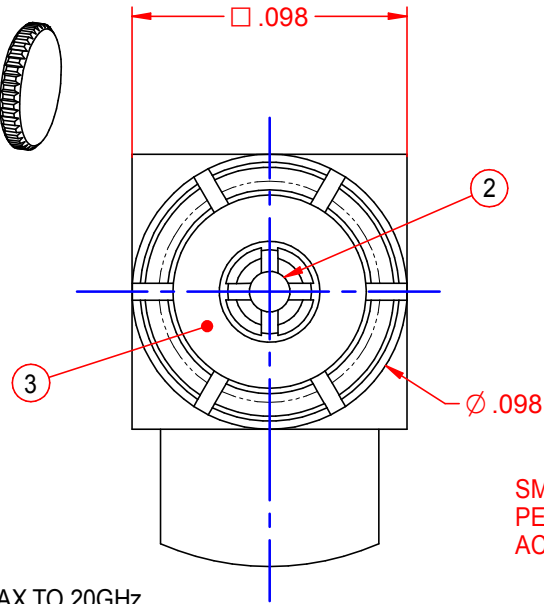
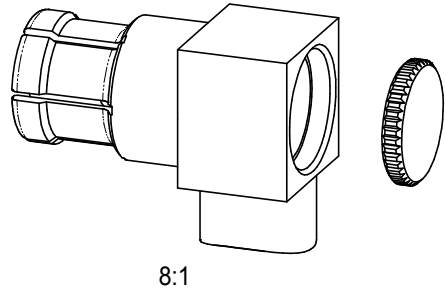
Email & Skype: info@chipsmall.com Web: www.chipsmall.com

Address: A1208, Overseas Decoration Building, #122 Zhenhua RD., Futian, Shenzhen, China

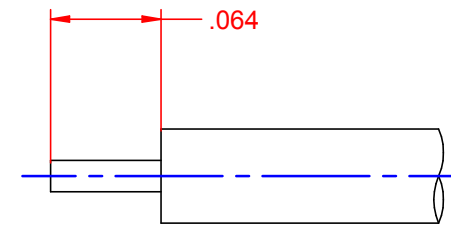


PART NUMBER	ITEM① BODY	ITEM② CONTACT	ITEM③ INSULATOR	ITEM④ END CAP
125-0692-111	BERYLLIUM COPPER GOLD PL .00005 MIN OVER NICKEL PL .00005 MIN OVER COPPER PL .00005 MIN	BERYLLIUM COPPER GOLD PL .00005 MIN OVER NICKEL PL .00005 MIN OVER COPPER PL .00005 MIN	TEFLON	BRASS GOLD PL .00001 MIN OVER NICKEL PL .00005 MIN OVER COPPER PL .00005 MIN

REV	ECO	DATE
001	ECO-16-0080	2016/06/24



SMPM FEMALE INTERFACE  
PER MIL-STD-348B  
ACCEPTS Ø.011~.013 PIN



CABLE STRIP DIMENSION

**SPECIFICATION:**

IMPEDANCE:50 OHMS  
 FREQUENCY RANGE:0-40GHz  
 VSWR:1.10 MAX TO 10GHz, 1.25 MAX TO 20GHz  
 INSERTION LOSS:0.12√F dB MAX (F IN GHz)  
 DIELECTRIC WITHSTANDING VOLTAGE:325 VRMS MIN AT SEA LEVEL  
 INSULATION RESISTANCE:5000 MEGOHM MIN  
 CONTACT RESISTANCE:  
 CENTER CONTACT - INITIAL 6 MILLIOHM MAX,AFTER ENVIRONMENTAL NOT APPLICABLE  
 OUTER CONTACT - INITIAL 2 MILLIOHM MAX,AFTER ENVIRONMENTAL NOT APPLICABLE  
 RF LEAKAGE:-80 dB TYPICAL AT 3GHz

**MECHANICAL:**

ENGAGEMENT FORCE:FULL DETENT(FD) 4.5LBS TYPICAL;SMOOTH BORE(SB) 2.5LBS TYPICAL  
 DISENGAGEMENT FORCE:FD 6.5LBS TYPICAL;SB 1.5LBS TYPICAL  
 CONTACT RETENTION:1.5LBS MIN AXIAL FORCE  
 DURABILITY:FD 100CYCLES MIN;SB 500 CYCLES MIN

**ENVIRONMENTAL:**

OPERATING TEMPERATURE:-65°C TO 165°C  
 THERMAL SHOCK:MIL-STD-202, METHOD 107, CONDITION B  
 MECHANICAL SHOCK:MIL-STD-202, METHOD 213, CONDITION I  
 CORROSION:MIL-STD-202, METHOD 101  
 VIBRATION:MIL-STD-202, METHOD 204  
 MOISTURE RESISTANCE:MIL-STD-202, METHOD 106, EXCEPT STEP 7B.

<p>This PROPRIETARY Document is property of Cinch Connectivity Solutions. It is confidential in nature, non-transferable, and issued with the clear understanding that it is not traced or copied without permission and is returnable upon demand.</p> <p>INTERPRET DRAWING IN ACCORDANCE WITH ASME Y14.5-2009.</p>	Model No. 125-0692-111	<b>JOHNSON</b>		
	RoHS2 2011/65/EU	Cage Code 14949	Title: SMPM FEMALE RIGHT ANGLE CABLED .047 SEMI-RIGID	
	UNLESS OTHERWISE SPECIFIED UNITS: INCH	3RD ANGLE PROJECTION	Drawing No. 125-0692-111	Rev. 001
	.XX ±.02 .XXX ±.005 ANGLES ±2°	Drawn by: Eric.Dai	Date: 2016/06/24	Size A

Eric.Dai

DO NOT SCALE DRAWING  
 Workmanship Std: /  
 Sheet 1 of 1