



Chipsmall Limited consists of a professional team with an average of over 10 year of expertise in the distribution of electronic components. Based in Hongkong, we have already established firm and mutual-benefit business relationships with customers from,Europe,America and south Asia,supplying obsolete and hard-to-find components to meet their specific needs.

With the principle of “Quality Parts,Customers Priority,Honest Operation,and Considerate Service”,our business mainly focus on the distribution of electronic components. Line cards we deal with include Microchip,ALPS,ROHM,Xilinx,Pulse,ON,Everlight and Freescale. Main products comprise IC,Modules,Potentiometer,IC Socket,Relay,Connector.Our parts cover such applications as commercial,industrial, and automotives areas.

We are looking forward to setting up business relationship with you and hope to provide you with the best service and solution. Let us make a better world for our industry!



## Contact us

Tel: +86-755-8981 8866 Fax: +86-755-8427 6832

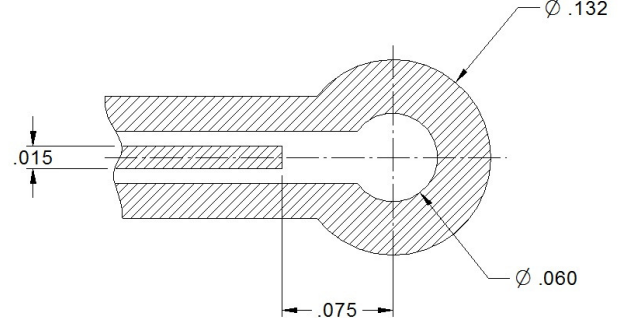
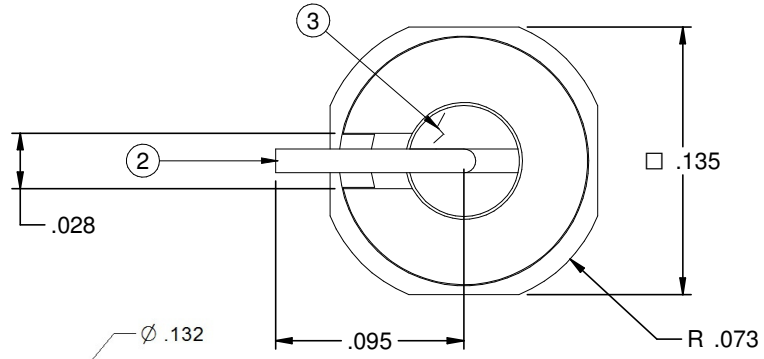
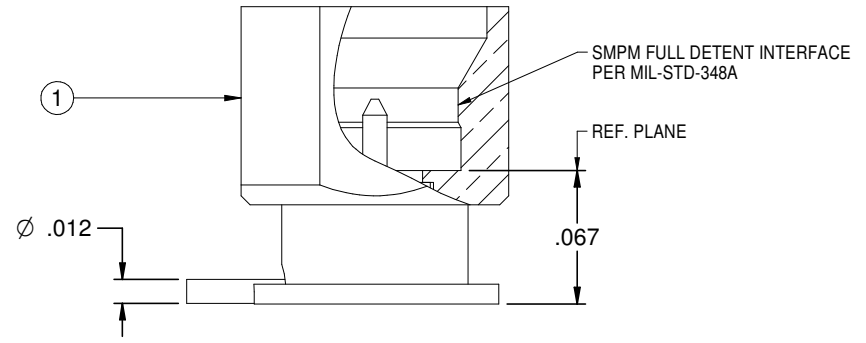
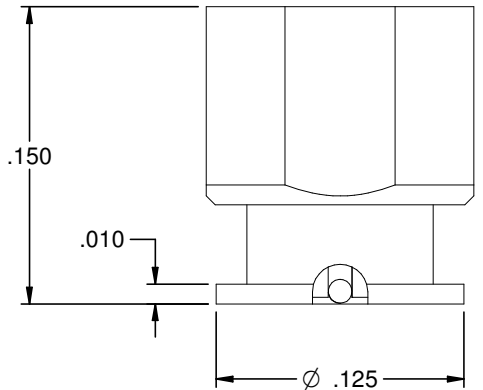
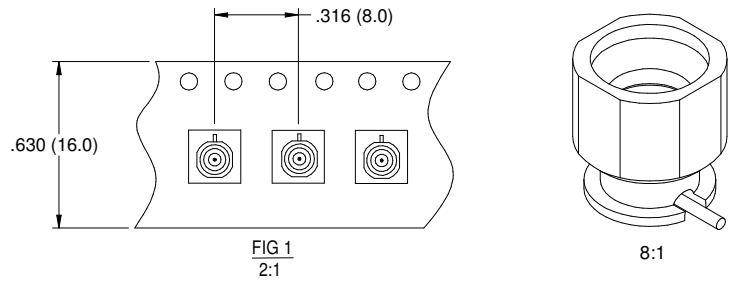
Email & Skype: info@chipsmall.com Web: www.chipsmall.com

Address: A1208, Overseas Decoration Building, #122 Zhenhua RD., Futian, Shenzhen, China



REV	ECO	DATE
001	ECO-17-0028	2017/09/28
002	ECO-17-0031	2017/11/6
003	ECO-18-0001	2018/03/19

PART NUMBER	PACKAGING	ITEM ① BODY	ITEM ② CONTACT	ITEM ③ INSULATOR
125-0701-211	BULK PACK 5 PCS/BAG	BRASS GOLD PL .00003 MIN OVER NICKEL PL.00005 MIN OVER COPPER PL.00005 MIN	BERYLLIUM COPPER GOLD PL .00005 MIN OVER NICKEL PL.00005 MIN OVER COPPER PL.00005 MIN	TEFLON
125-0701-212	TAPE AND REEL 1000 PCS PER FIG1			



**SPECIFICATION:**

**ELECTRICAL:**  
 IMPEDANCE: 50 OHMS  
 FREQUENCY RANGE: 0-20 GHz  
 VSWR: DEPENDANT ON APPLICATION  
 WORKING VOLTAGE: 325 VRMS MAX AT SEA LEVEL  
 DIELECTRIC WITHSTANDING VOLTAGE: 325 VRMS MIN AT SEA LEVEL  
 INSULATION RESISTANCE: 5000 MEGOHM MIN  
 CONTACT RESISTANCE:  
 CENTER CONTACT - INITIAL 6 MILLIOHM MAX, AFTER ENVIRONMENTAL NOT APPLICABLE  
 OUTER CONDUCTOR - INITIAL 2 MILLIOHM MAX, AFTER ENVIRONMENTAL NOT APPLICABLE  
 RF LEAKAGE: NOT APPLICABLE

**MECHANICAL:**  
 ENGAGEMENT FORCE: 4.5 LBS TYPICAL  
 DISENGAGEMENT FORCE: 6.5 LBS TYPICAL  
 DURABILITY: 100 CYCLES MIN

**ENVIRONMENTAL:**  
 OPERATING TEMPERATUR: -65 TO 165°C  
 THERMAL SHOCK: MIL-STD-202, METHOD 107, CONDITION B  
 MECHANICAL SHOCK: MIL-STD-202, METHOD 213, CONDITION I  
 CORROSION: MIL-STD-202, METHOD 101  
 VIBRATION: MIL-STD-202, METHOD 204  
 MOISTURE RESISTANCE: MIL-STD-202, MEHTOD 106, EXCEPT STEP 7B

	Model No. 125-0701-211/220	<b>JOHNSON</b>	
	RoHS2 2011/65/EU	Title: SMPM MALE FULL DETENT PCB SURFACE MOUNT .150 HEIGHT Drawing No. 125-0701-211/220 Rev. 3	Date: 5-15-2014 Size B DO NOT SCALE DRAWING Workmanship Std: /
Drawn By: R.SHEN Date: 5-15-2014	3RD ANGLE PROJECTION UNLESS OTHERWISE SPECIFIED: .XX ±.01 .XXX ±.003 .XXXX ±.0010 ANGLES ±1.00°	INTERPRET DRAWINGS IN ACCORDANCE WITH: 4145-2009	Sheet 1 of 1