



Chipsmall Limited consists of a professional team with an average of over 10 year of expertise in the distribution of electronic components. Based in Hongkong, we have already established firm and mutual-benefit business relationships with customers from,Europe,America and south Asia,supplying obsolete and hard-to-find components to meet their specific needs.

With the principle of "Quality Parts,Customers Priority,Honest Operation,and Considerate Service",our business mainly focus on the distribution of electronic components. Line cards we deal with include Microchip,ALPS,ROHM,Xilinx,Pulse,ON,Everlight and Freescale. Main products comprise IC,Modules,Potentiometer,IC Socket,Relay,Connector.Our parts cover such applications as commercial,industrial, and automotives areas.

We are looking forward to setting up business relationship with you and hope to provide you with the best service and solution. Let us make a better world for our industry!



## Contact us

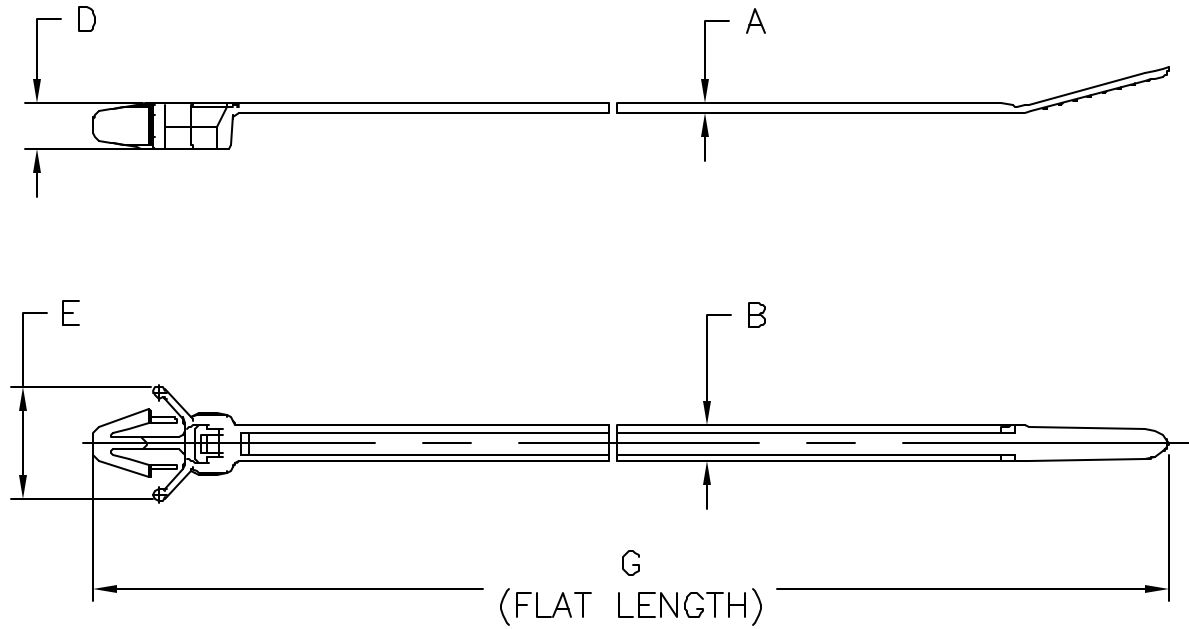
Tel: +86-755-8981 8866 Fax: +86-755-8427 6832

Email & Skype: info@chipsmall.com Web: www.chipsmall.com

Address: A1208, Overseas Decoration Building, #122 Zhenhua RD., Futian, Shenzhen, China



Revision level		Revision Record	Changed	Date	Approved	Date
part	drawing					
-	02	See ECN 010831	A.A.C.	08/28/07	K.A.C.	08/28/07



02

Product Code	Cable Range (mm)	Material	Panel Hole Dia	Panel Thickness	A	B	D	E	G	Min Loop Tensile Strength (newtons)
T50SSF	3.2 to 35	PA6.6	6.0 to 6.6	0.7 to 3.0	1.2 ± 0.2	4.6 ± 0.2	5.6 ± 0.5	14.7 ± 1.5	160.0 ± 5.0	225
T50SSF HIRHS		PA6.6HIRHS								

SEE CHART

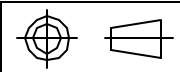
Material

Dimension tolerances unless otherwise specified  
 .XXXX = ± .0130  
 .XXX = ± .130  
 .XX = ± .30  
 .X = ± .8  
 < = ± 0.5

Dimension Units mm

PERFORMANCE SPECIFICATION

ACAD MECH  
2008



ALL PROPRIETARY RIGHTS IN THE SUBJECT MATTER SHOWN ON THIS DRAWING ARE EXCLUSIVE PROPERTY OF HELLERMANN TYTON

Drawn A.A.C. 02/15/07  
 Approved K.A.C. 08/28/07

**HellermannTyton**

7930 N. Faulkner Rd.  
 Milwaukee, WI 53224  
 Ph: (414) 355-1130  
 Fx: (414) 362-8338

Scale 1:1  
 Computer File Number CT\CST\CT07-004-002\_02  
 Title

**T50SSF**  
**WING PUSH MOUNT TIE**

Drawing-No **CT07-004-002CST**  
 Format AH  
 Sheet 1 of 1

**Product Number**  
**Cross Reference Record**

Uncontrolled Document

<b>Pre-UNS Number System</b>	<b>(New) UNS Universal Number System</b>	<b>Customer Part Number</b>
Product Number	Product Number	Product Number
<b>T50SSFH(HIRHS)</b>	<b>126-00049</b>	-
Reference Drawing Number: <b>CT07-004-002CST</b>		

Issued By:	(New) UNS Product Number	Issue Date:
<b>HellermannTyton</b>	<b>Universal Numbering System</b>	<b>October 14, 2010</b>