



Chipsmall Limited consists of a professional team with an average of over 10 year of expertise in the distribution of electronic components. Based in Hongkong, we have already established firm and mutual-benefit business relationships with customers from,Europe,America and south Asia,supplying obsolete and hard-to-find components to meet their specific needs.

With the principle of “Quality Parts,Customers Priority,Honest Operation,and Considerate Service”,our business mainly focus on the distribution of electronic components. Line cards we deal with include Microchip,ALPS,ROHM,Xilinx,Pulse,ON,Everlight and Freescale. Main products comprise IC,Modules,Potentiometer,IC Socket,Relay,Connector.Our parts cover such applications as commercial,industrial, and automotives areas.

We are looking forward to setting up business relationship with you and hope to provide you with the best service and solution. Let us make a better world for our industry!



Contact us

Tel: +86-755-8981 8866 Fax: +86-755-8427 6832

Email & Skype: info@chipsmall.com Web: www.chipsmall.com

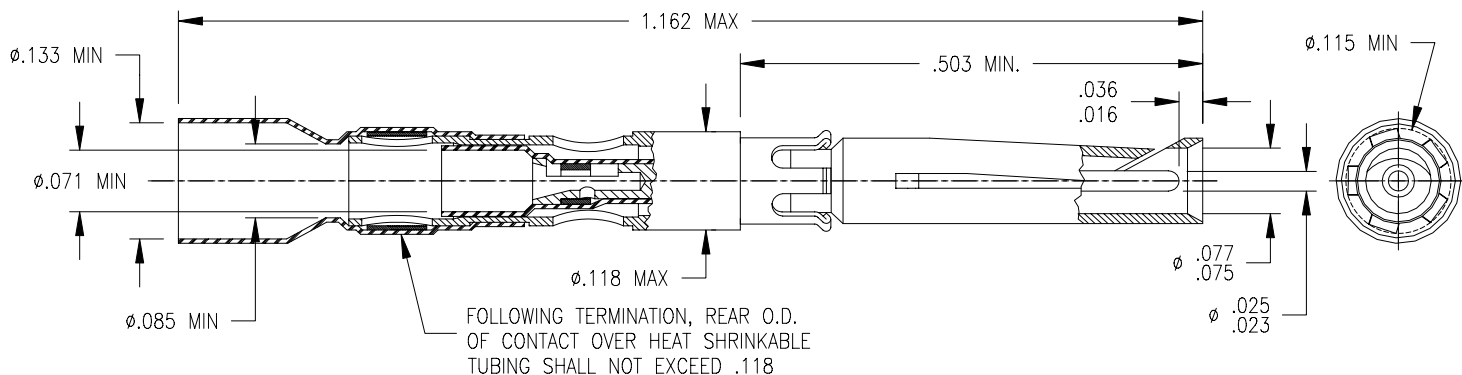
Address: A1208, Overseas Decoration Building, #122 Zhenhua RD., Futian, Shenzhen, China



THIS DRAWING AND THE INFORMATION SET FORTH HEREON ARE THE PROPERTY OF TYCO ELECTRONICS CORPORATION, AND ARE TO BE HELD IN TRUST AND CONFIDENCE. PUBLICATION, DUPLICATION, DISCLOSURE, OR USE FOR ANY PURPOSE NOT EXPRESSLY AUTHORIZED IN WRITING BY TYCO ELECTRONICS IS PROHIBITED.

REVISIONS			
LTR	DESCRIPTION	DATE	APPROVED
B	REVISED PER ECN# T-22007	12/16/98	M.HIGGY
C	REVISED PER DCR# D030459	10/31/03	M.HIGGY

**If this document is printed it becomes uncontrolled.
Check for the latest revision.**



NOTES:

- THIS CONTACT IS DESIGNED FOR USE IN MIL-DTL-28748, SIZE 16 CAVITIES.
- THIS CONTACT IS DESIGNED TO TERMINATE TO THE CABLES LISTED IN THE TABLE. OTHER APPLICATIONS SHOULD BE SUBMITTED TO RAYCHEM FOR EVALUATION.
- FOR TERMINATION PROCEDURE, SEE RAYCHEM SPECIFICATION ES 61240.
- MATING CONTACT (FOR SIMILAR CABLES): D-602-0172.
- ALIGNMENT BUSHING CHA-0001 TO BE SUPPLIED WITH THE CONTACT.
- \triangle CABLE MUST BE TERMINATED WITH D-600-0018 DIELECTRIC BARRIER.

RG CABLE NO.	RAYCHEM CABLE NO.
RG 179 B/U	5030A 1X1X
RG 178 B/U \triangle	7528A 1X1X
	7530A 1X1X
	9532A 1X1X

CONTACT CHARACTERISTICS:

MATERIALS:

- OUTER BODY: COPPER ALLOY PER ASTM B196 OR ASTM B194.
PLATING: GOLD PER ASTM B488 (MIL-G-45204), NICKEL PER AMS QQ-N-290, OVER COPPER FLASH.
- INNER CONTACT: BRASS, PER ASTM B16/B16M.
PLATING: GOLD PER ASTM B488 (MIL-G-45204), NICKEL PER AMS QQ-N-290, OVER COPPER FLASH.
- RETAINING CLIP: COPPER ALLOY PER ASTM B194.
PLATING: NICKEL PER AMS QQ-N-290.
- DIELECTRIC: ETFE FLUOROPOLYMER PER ASTM D3159.
- SOLDER: SN63 PER ANSI/J-STD-006.
FLUX: ROL1 PER ANSI/J-STD-004.
- CABLE SUPPORT: OUTER SLEEVE: HEAT-SHRINKABLE, RADIATION CROSS-LINKED POLYVINYLIDENE FLUORIDE (COLOR: CLEAR).
INNER SLEEVE: HEAT-SHRINKABLE, RADIATION CROSS-LINKED POLYVINYLIDENE FLUORIDE (COLOR: BLUE).

PERFORMANCE:

- TEMPERATURE RATING: 125°C MAXIMUM
 CURRENT RATING: 3 AMPS
 VOLTAGE RATING: DIELECTRIC WITHSTANDING VOLTAGE: 900 VOLTS RMS MAXIMUM.
 CONTACT RESISTANCE: 10 MILLIOHMS MAXIMUM (INNER)
 8 MILLIOHMS MAXIMUM (OUTER)
 INSULATION RESISTANCE: 5000 MEGAOHMS MINIMUM.
 ENGAGEMENT FORCE: OUTER SOCKET: 20.0 OZ. MAXIMUM
 SEPARATION FORCE: OUTER SOCKET: 2.0 OZ. MINIMUM

SPECIFICATION CONTROL DRAWING

UNLESS OTHERWISE SPECIFIED DIMENSIONS ARE IN INCHES. METRIC DIMENSIONS ARE IN BRACKETS.

DECIMALS
 .XXX ± _____
 .XX ± _____
 ANGLES _____

WEIGHT

DRAWN	MFORONDA	09.17.03
CHECKED		
APPROVED	M.HIGGY	09.17.03
APPROVED		
CAD NAME:	D030459.dwg	



Tyco Electronics Corporation
 300 Constitution Drive
 Menlo Park, CA. 94025 U.S.A.



TITLE			
SHIELDED CONTACT, SOCKET COAXIAL CABLE			
SIZE	CODE IDENT. NO.	DWG. NO.	REV
A	06090	D-602-0173	C

DO NOT SCALE THIS DRAWING		SHEET 1 OF 1	
---------------------------	--	--------------	--