



Chipsmall Limited consists of a professional team with an average of over 10 year of expertise in the distribution of electronic components. Based in Hongkong, we have already established firm and mutual-benefit business relationships with customers from,Europe,America and south Asia,supplying obsolete and hard-to-find components to meet their specific needs.

With the principle of “Quality Parts,Customers Priority,Honest Operation,and Considerate Service”,our business mainly focus on the distribution of electronic components. Line cards we deal with include Microchip,ALPS,ROHM,Xilinx,Pulse,ON,Everlight and Freescale. Main products comprise IC,Modules,Potentiometer,IC Socket,Relay,Connector.Our parts cover such applications as commercial,industrial, and automotives areas.

We are looking forward to setting up business relationship with you and hope to provide you with the best service and solution. Let us make a better world for our industry!



## Contact us

Tel: +86-755-8981 8866 Fax: +86-755-8427 6832

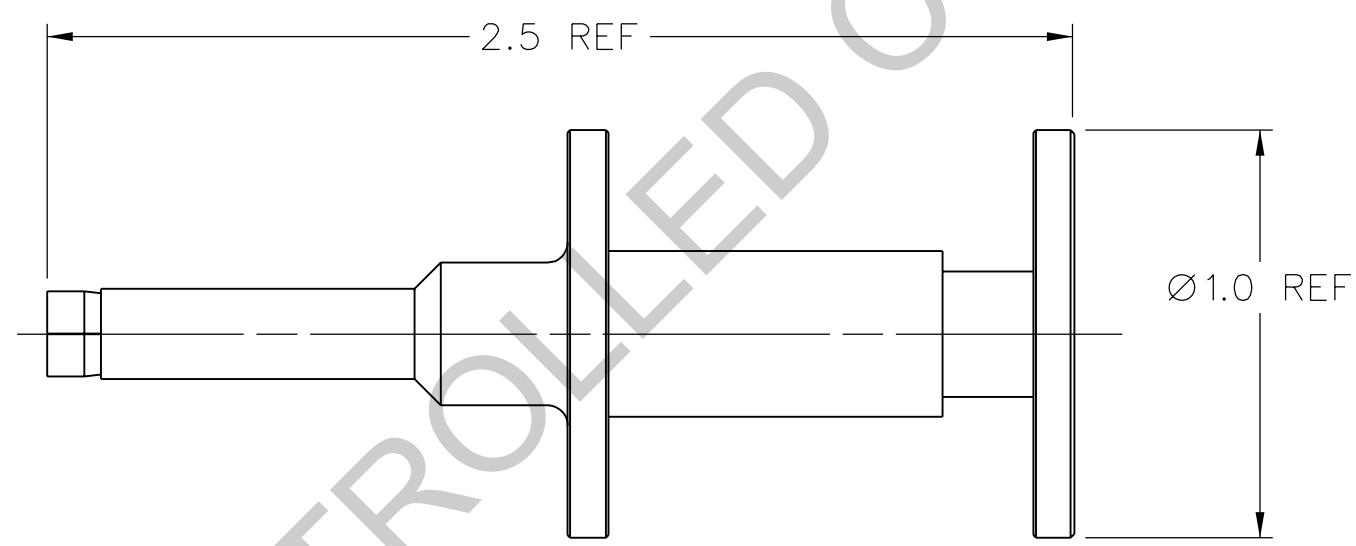
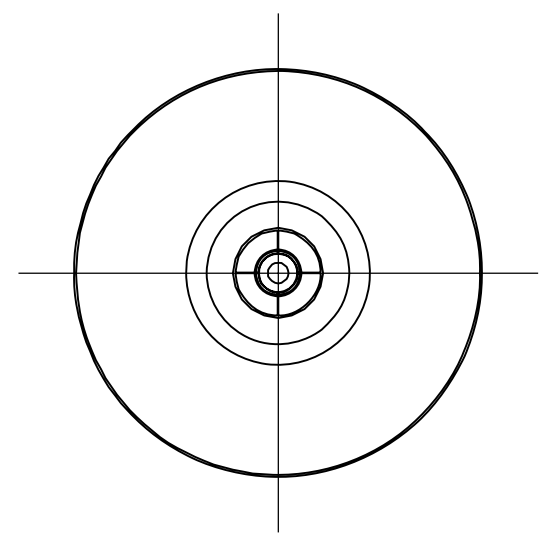
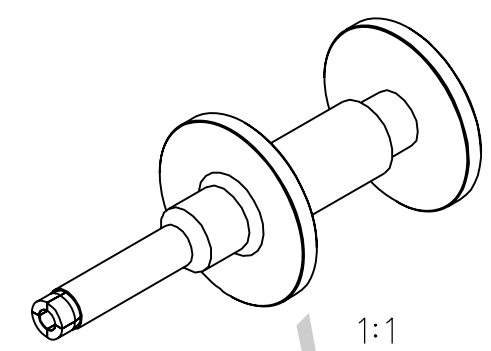
Email & Skype: info@chipsmall.com Web: www.chipsmall.com

Address: A1208, Overseas Decoration Building, #122 Zhenhua RD., Futian, Shenzhen, China



PART NUMBER	BODY	COLLET
127-0000-900	STAINLESS STEEL	BERYLLIUM COPPER NICKEL PLATED

DRAWING NO.		B-127-0000-900	
0	REVISIONS		
ENGINEERING RELEASE			
1	4-13-07	PAT	JRK PDW
			4-19-07 ECN 50991



UNCONTROLLED COPY

CUSTOMER DRAWING

THIS DRAWING TO BE INTERPRETED  
PER ASME Y 14.5M - 1994

"μSTATION"

COMPANY CONFIDENTIAL

NOTES:

1. APPLICATION: USED FOR INSTALLATION AND EXTRACTION OF 127-0901-801 AND 127-0901-811 FEMALE/FEMALE ADAPTERS.

TOLERANCE UNLESS OTHERWISE SPECIFIED		DRAWN BY	DATE
DECIMALS	mm	PAT	4-10-07
.XX	_____	CHECKED BY	DATE
.XXX	_____	PDW	4-18-07
MATL	_____	APPROVED BY	DATE
		JRK	4-18-07
FINISH	_____	RELEASE DATE	4-19-07
		U/M	INCH
		SCALE	2:1

 <b>cinch</b> CONNECTIVITY SOLUTIONS a bel group	<b>Cinch Connectivity Solutions</b> P.O. Box 1732 Waseca, MN 56093 1-800-247-8256	
	TITLE	
SMP BULLET INSTALLATION AND EXTRACTION TOOL		
SHEET	DRAWING NO.	
2 OF 2	B-127-0000-900	