



Chipsmall Limited consists of a professional team with an average of over 10 year of expertise in the distribution of electronic components. Based in Hongkong, we have already established firm and mutual-benefit business relationships with customers from,Europe,America and south Asia,supplying obsolete and hard-to-find components to meet their specific needs.

With the principle of “Quality Parts,Customers Priority,Honest Operation,and Considerate Service”,our business mainly focus on the distribution of electronic components. Line cards we deal with include Microchip,ALPS,ROHM,Xilinx,Pulse,ON,Everlight and Freescale. Main products comprise IC,Modules,Potentiometer,IC Socket,Relay,Connector.Our parts cover such applications as commercial,industrial, and automotives areas.

We are looking forward to setting up business relationship with you and hope to provide you with the best service and solution. Let us make a better world for our industry!



## Contact us

Tel: +86-755-8981 8866 Fax: +86-755-8427 6832

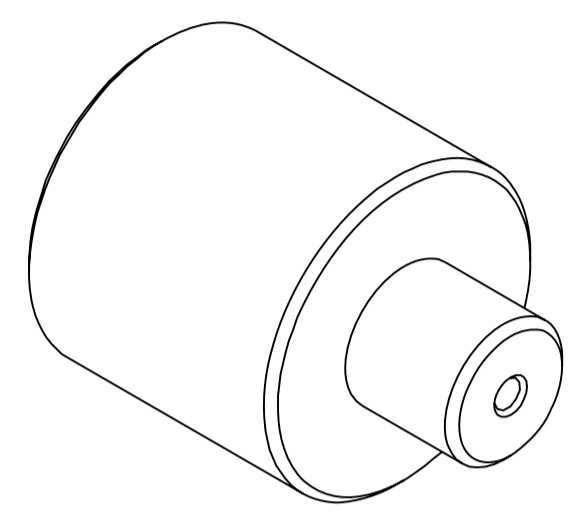
Email & Skype: info@chipsmall.com Web: www.chipsmall.com

Address: A1208, Overseas Decoration Building, #122 Zhenhua RD., Futian, Shenzhen, China

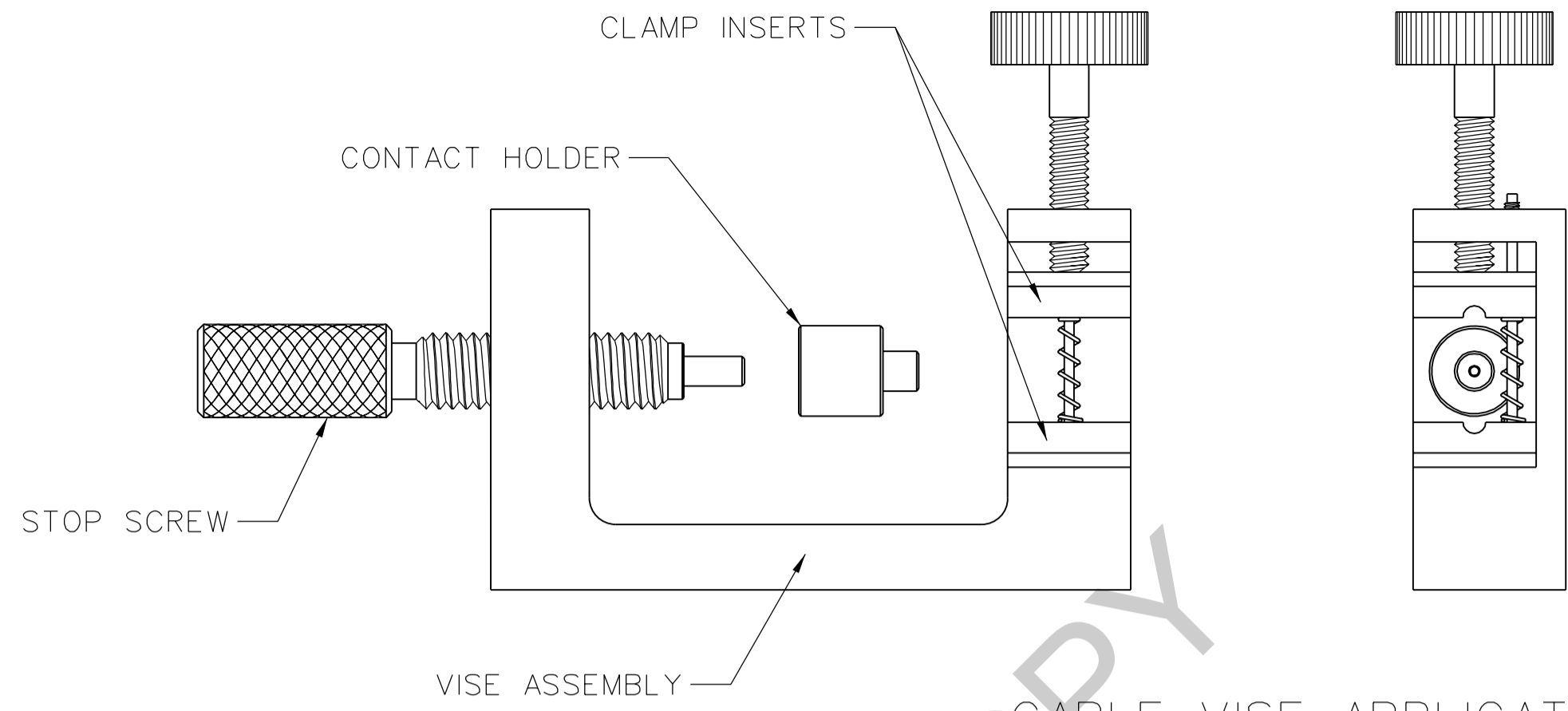


PART NUMBER 127-0000-902	MATERIAL STAINLESS STEEL PASSIVATED
-----------------------------	---

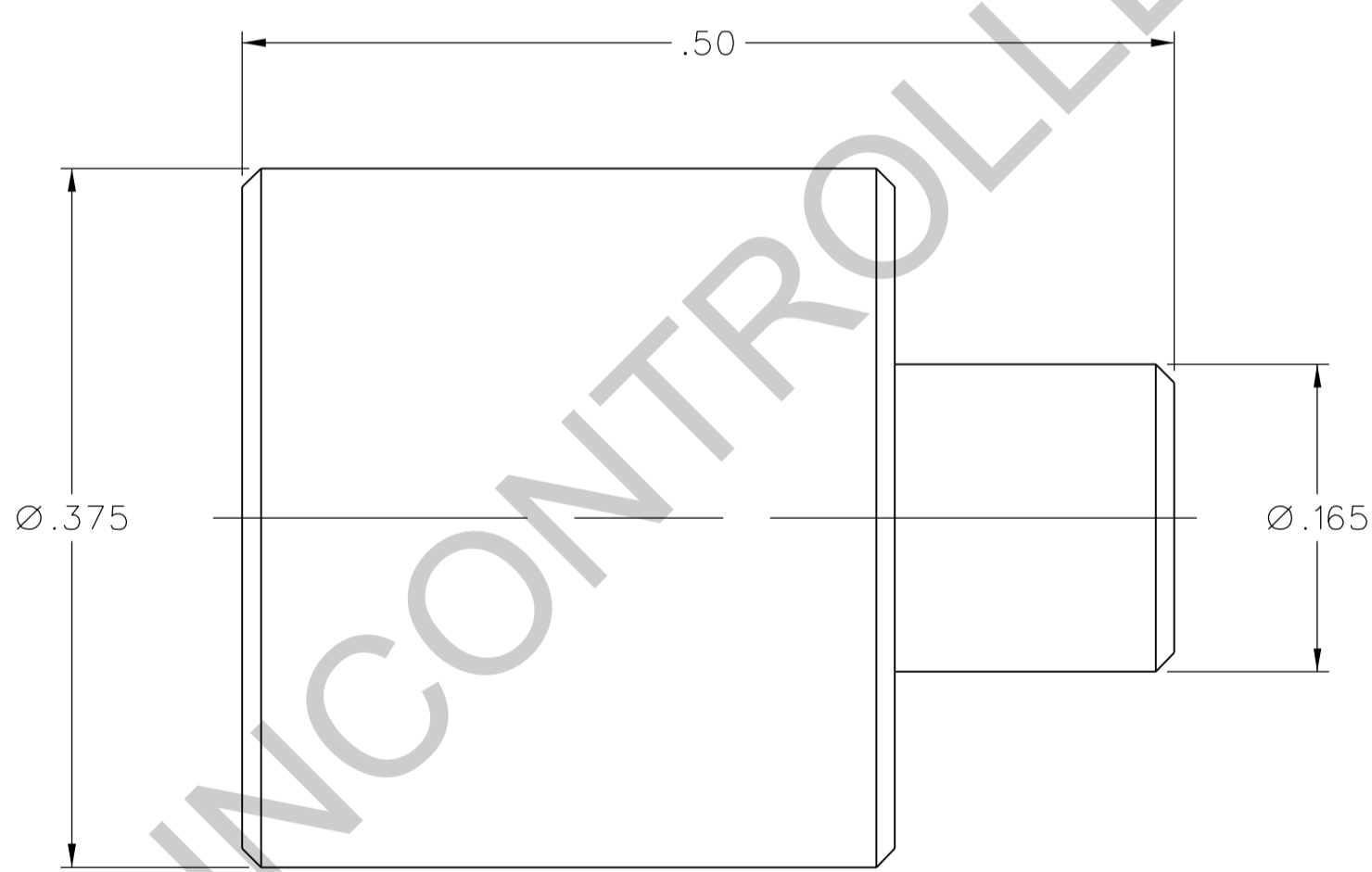
DRAWING NO. C - 127-0000-902	
0	REVISIONS
ENGINEERING RELEASE	
1	5-25-07 PAT JRK MJD PDW JCN 5-30-07 ECN 51050



5:1



CABLE VISE APPLICATION  
1.5:1 (FOR REFERENCE ONLY)



CUSTOMER DRAWING

THIS DRAWING TO BE INTERPRETED  
PER ASME Y 14.5M - 1994

"μSTATION"

COMPANY CONFIDENTIAL

TOLERANCE UNLESS OTHERWISE SPECIFIED		DRAWN BY PAT	DATE 4-13-07
DECIMALS	mm	CHECKED BY JRK	DATE 5-25-07
.XX REF	_____	APPROVED BY PDW	DATE 5-25-07
.XXX REF	_____	RELEASE DATE	5-30-07
MATL	_____	U/M	INCH
FINISH	_____	SCALE	10:1

**cinch**  
CONNECTIVITY SOLUTIONS  
a bel group

Cinch Connectivity Solutions  
P.O. Box 1732  
Waseca, MN 56093  
1-800-247-8256

TITLE SMP CABLED CONNECTOR CONTACT HOLDER TOOL	
SHEET 2 OF 2	DRAWING NO. C - 127-0000-902