



Chipsmall Limited consists of a professional team with an average of over 10 year of expertise in the distribution of electronic components. Based in Hongkong, we have already established firm and mutual-benefit business relationships with customers from,Europe,America and south Asia,supplying obsolete and hard-to-find components to meet their specific needs.

With the principle of “Quality Parts,Customers Priority,Honest Operation,and Considerate Service”,our business mainly focus on the distribution of electronic components. Line cards we deal with include Microchip,ALPS,ROHM,Xilinx,Pulse,ON,Everlight and Freescale. Main products comprise IC,Modules,Potentiometer,IC Socket,Relay,Connector.Our parts cover such applications as commercial,industrial, and automotives areas.

We are looking forward to setting up business relationship with you and hope to provide you with the best service and solution. Let us make a better world for our industry!



Contact us

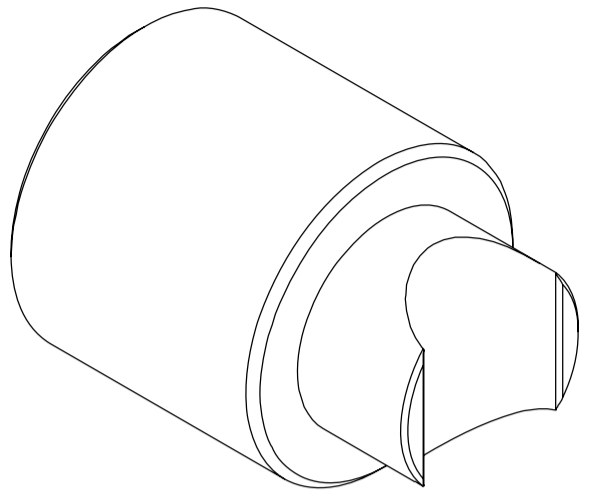
Tel: +86-755-8981 8866 Fax: +86-755-8427 6832

Email & Skype: info@chipsmall.com Web: www.chipsmall.com

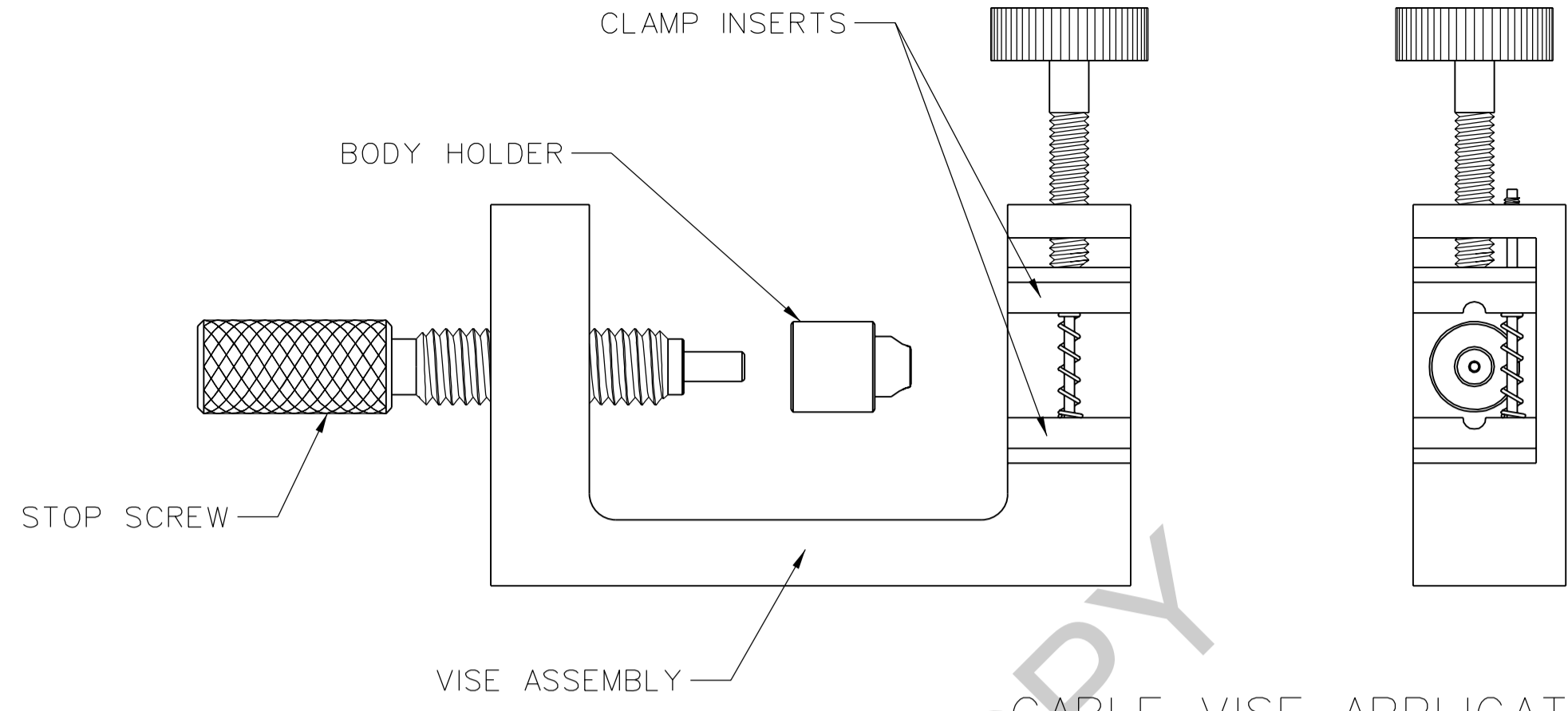
Address: A1208, Overseas Decoration Building, #122 Zhenhua RD., Futian, Shenzhen, China



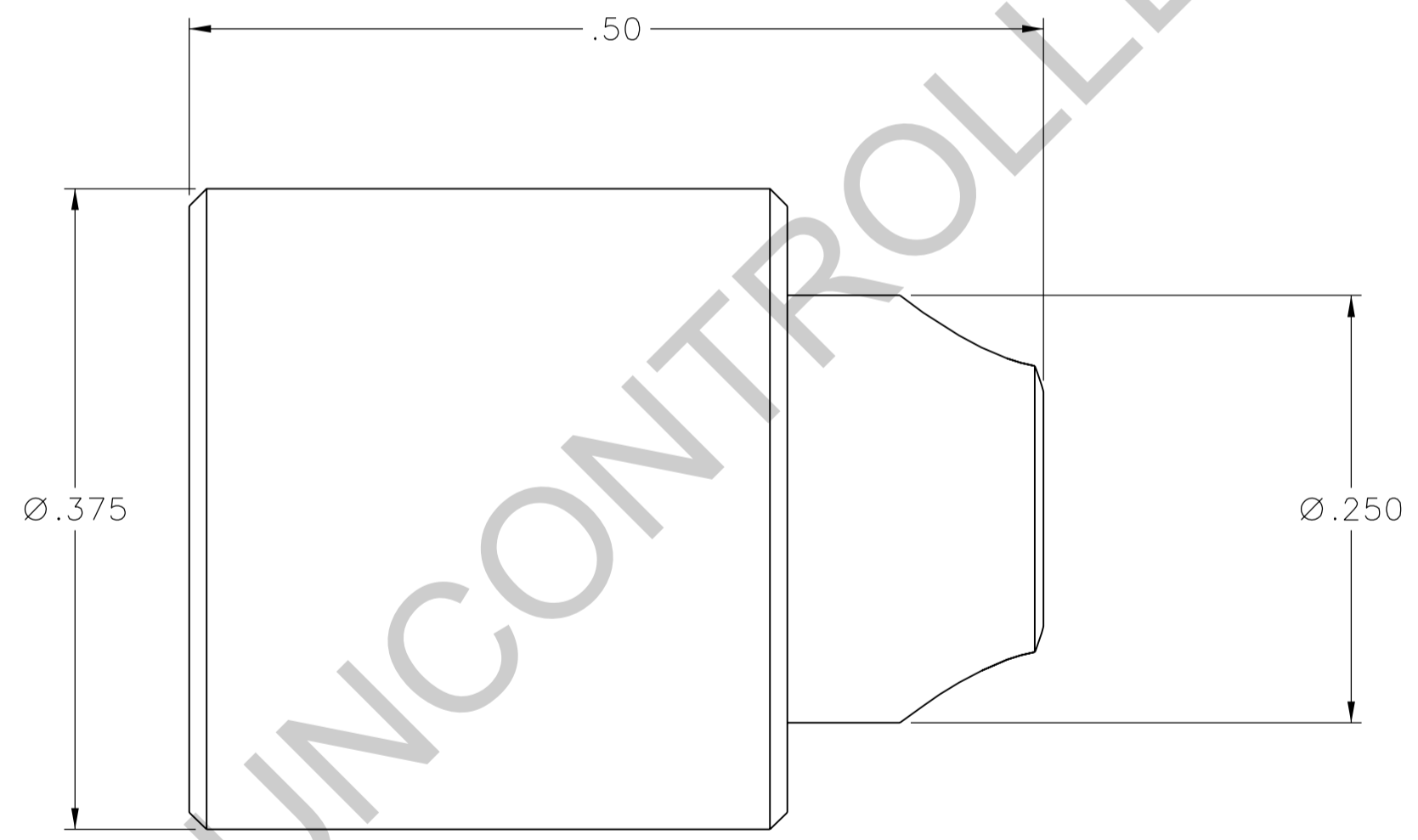
PART NUMBER 127-0000-904	MATERIAL STAINLESS STEEL PASSIVATED
-----------------------------	---



5:1



CABLE VISE APPLICATION
1.5:1 (FOR REFERENCE ONLY)



DRAWING NO. C - 127-0000-904	
0	REVISIONS
ENGINEERING RELEASE	
1	5-29-07 PAT JKU PDW JCN
	5-30-07 ECN 51052

THIS DRAWING TO BE INTERPRETED
PER ASME Y 14.5M - 1994

"μSTATION"

COMPANY CONFIDENTIAL

TOLERANCE UNLESS OTHERWISE SPECIFIED		DRAWN BY PAT	DATE 4-16-07
DECIMALS	mm	CHECKED BY JRK	DATE 5-29-07
.XX ±.01	_____	APPROVED BY PDW	DATE 5-29-07
.XXX ±.003	_____	RELEASE DATE	5-30-07
MATL	_____	U/M	INCH
FINISH	_____	SCALE	10:1



Cinch Connectivity Solutions
P.O. Box 1732
Waseca, MN 56093
1-800-247-8256

TITLE
SMP RIGHT ANGLE
CABLED CONNECTOR
BODY HOLDER TOOL

SHEET
2 OF 2

DRAWING NO.
C - 127-0000-904