



Chipsmall Limited consists of a professional team with an average of over 10 year of expertise in the distribution of electronic components. Based in Hongkong, we have already established firm and mutual-benefit business relationships with customers from,Europe,America and south Asia,supplying obsolete and hard-to-find components to meet their specific needs.

With the principle of “Quality Parts,Customers Priority,Honest Operation,and Considerate Service”,our business mainly focus on the distribution of electronic components. Line cards we deal with include Microchip,ALPS,ROHM,Xilinx,Pulse,ON,Everlight and Freescale. Main products comprise IC,Modules,Potentiometer,IC Socket,Relay,Connector.Our parts cover such applications as commercial,industrial, and automotives areas.

We are looking forward to setting up business relationship with you and hope to provide you with the best service and solution. Let us make a better world for our industry!



## Contact us

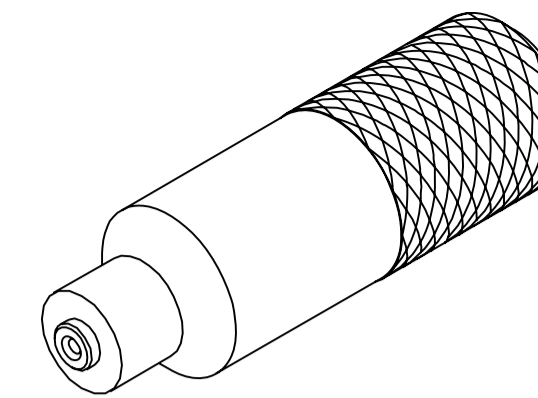
Tel: +86-755-8981 8866 Fax: +86-755-8427 6832

Email & Skype: info@chipsmall.com Web: www.chipsmall.com

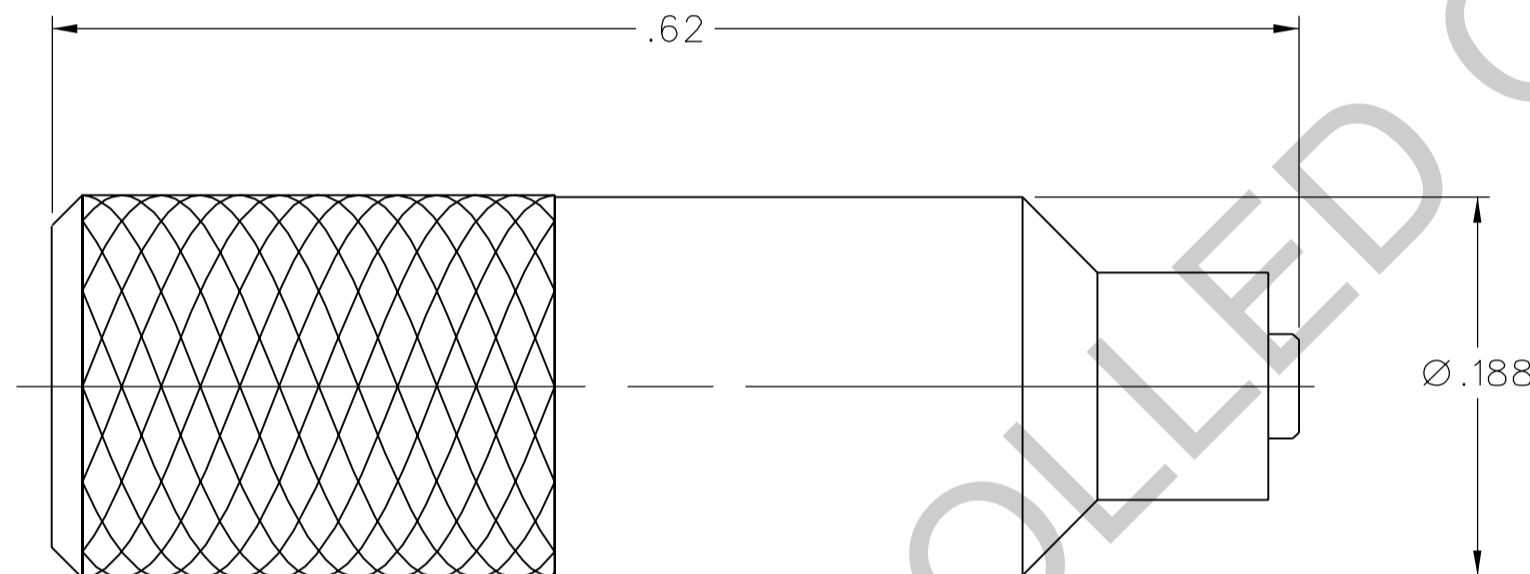
Address: A1208, Overseas Decoration Building, #122 Zhenhua RD., Futian, Shenzhen, China



PART NUMBER	APPLICATION	MATERIAL
127-0000-905	FULL DETENT	STAINLESS STEEL PASSIVATED
127-0000-906	LIMITED DETENT	STAINLESS STEEL PASSIVATED
127-0000-907	SMOOTH BORE	STAINLESS STEEL PASSIVATED



5:1



UNCONTROLLED COPY


DRAWING NO. C - 127-0000-905/907	
0	REVISIONS
ENGINEERING RELEASE	
1	5-29-07 PAT JRK MPD JCN 5-30-07 ECN 51053

CUSTOMER DRAWING

THIS DRAWING TO BE INTERPRETED  
PER ASME Y 14.5M - 1994

"μSTATION"

COMPANY CONFIDENTIAL

TOLERANCE UNLESS OTHERWISE SPECIFIED		DRAWN BY PAT	DATE 4-16-07	 <b>cinch</b> CONNECTIVITY SOLUTIONS a bel group	Cinch Connectivity Solutions P.O. Box 1732 Waseca, MN 56093 1-800-247-8256
DECIMALS	mm	CHECKED BY JRK	DATE 5-29-07		
.XX ±.01	_____	APPROVED BY PDW	DATE 5-29-07	TITLE SMP SHROUD ALIGNMENT TOOL	
.XXX ±.003	_____	RELEASE DATE	5-30-07		
MATL		U/M	INCH	SCALE	10:1
FINISH		SHEET 2 OF 2		DRAWING NO. C - 127-0000-905/907	