



Chipsmall Limited consists of a professional team with an average of over 10 year of expertise in the distribution of electronic components. Based in Hongkong, we have already established firm and mutual-benefit business relationships with customers from,Europe,America and south Asia,supplying obsolete and hard-to-find components to meet their specific needs.

With the principle of “Quality Parts,Customers Priority,Honest Operation,and Considerate Service”,our business mainly focus on the distribution of electronic components. Line cards we deal with include Microchip,ALPS,ROHM,Xilinx,Pulse,ON,Everlight and Freescale. Main products comprise IC,Modules,Potentiometer,IC Socket,Relay,Connector.Our parts cover such applications as commercial,industrial, and automotives areas.

We are looking forward to setting up business relationship with you and hope to provide you with the best service and solution. Let us make a better world for our industry!



## Contact us

Tel: +86-755-8981 8866 Fax: +86-755-8427 6832

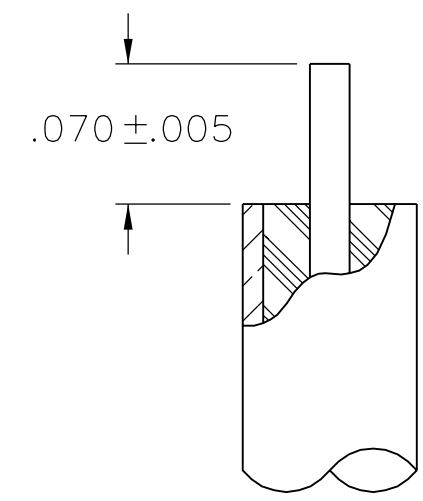
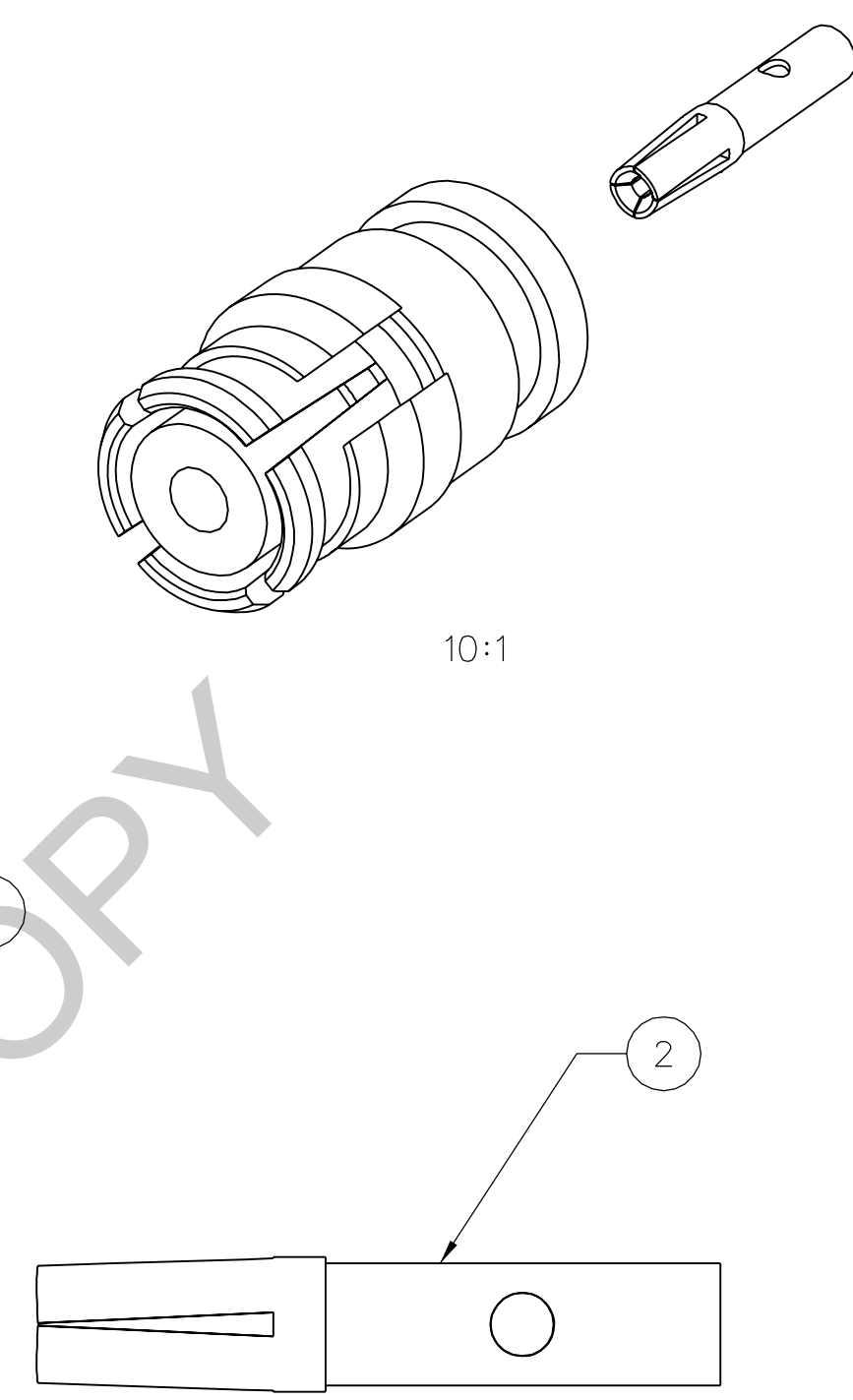
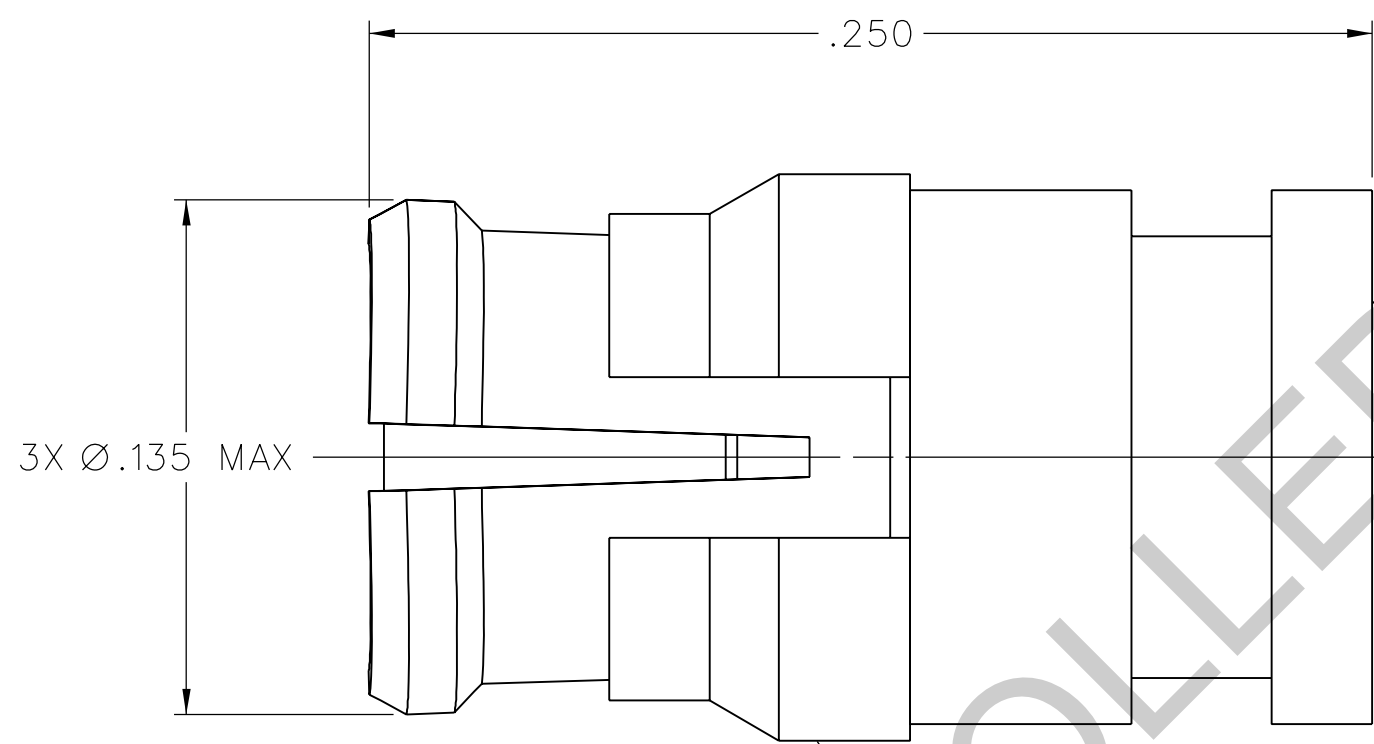
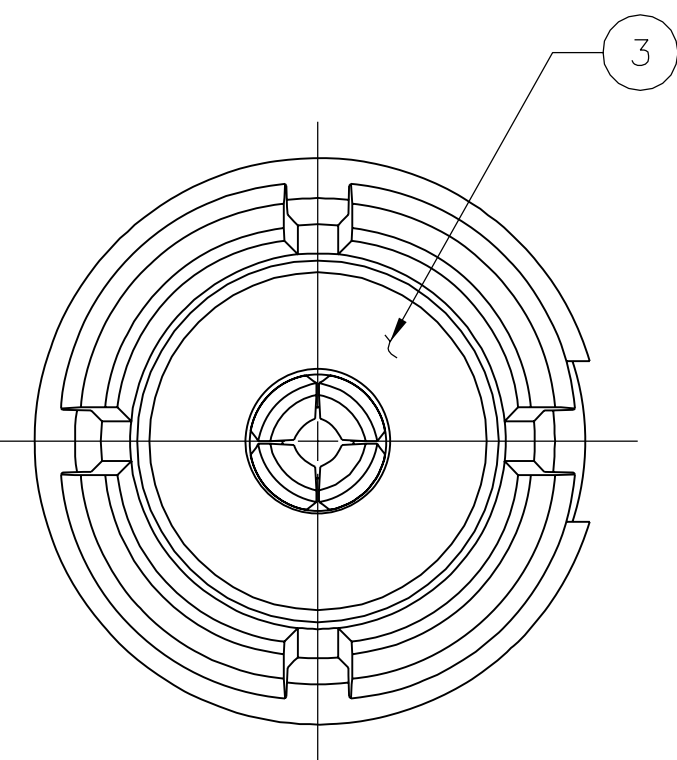
Email & Skype: info@chipsmall.com Web: www.chipsmall.com

Address: A1208, Overseas Decoration Building, #122 Zhenhua RD., Futian, Shenzhen, China



PART NUMBER 127-0693-001	ITEM ① BODY BERYLLIUM COPPER GOLD PL .00005 MIN OVER NICKEL PL .00005 MIN OVER COPPER PL .00005 MIN	ITEM ② CONTACT BERYLLIUM COPPER GOLD PL .00005 MIN OVER NICKEL PL .00005 MIN OVER COPPER PL .00005 MIN	ITEM ③ INSULATOR TEFLON	ITEM ④ ANTI-ROCK RING BERYLLIUM COPPER GOLD PL .00003 MIN OVER NICKEL PL .00005 MIN OVER COPPER PL .00005 MIN
-----------------------------	--	---	-------------------------------	--

DRAWING NO. C - 127-0693-001/010				
0 REVISIONS				
ENGINEERING RELEASE				
1	7-27-07	PAT	JDK	7-30-07 ECN 5114.3



CABLE STRIP DIMENSIONS  
10:1

NOTES:


- SPECIFICATIONS:
  - IMPEDENCE: 50 OHMS NOMINAL
  - FREQUENCY RANGE: 0-40 GHz
  - VSWR: 1.20 MAX (0-18 GHz)
  - 1.35 MAX (18-26.5 GHz)
  - 1.70 MAX (26.5-40 GHz)
  - WORKING VOLTAGE: 335 VRMS MAX AT SEA LEVEL
  - DIELECTRIC WITHSTANDING VOLTAGE: 500 VRMS MIN AT SEA LEVEL
  - INSULATION RESISTANCE: 5000 MEGOHM MIN
  - CONTACT RESISTANCE:
    - CENTER CONTACT - INITIAL 6.0 MILLIOHM MAX, AFTER ENVIRONMENTAL NOT APPLICABLE
    - OUTER CONDUCTOR - INITIAL 2.0 MILLIOHM MAX, AFTER ENVIRONMENTAL NOT APPLICABLE
    - CABLE SHIELD TO CONNECTOR BODY - INITIAL 0.5 MILLIOHM MAX, AFTER ENVIRONMENTAL NOT APPLICABLE
  - INSERTION LOSS:  $0.12\sqrt{f}$  (GHz) dB MAX, TESTED AT 10 GHz
  - CORONA LEVEL: 190 VOLTS MIN AT 70,000 FEET
  - RF LEAKAGE: -80 dB TYPICAL, TESTED AT 2.5 GHz
  - RF HIGH POTENTIAL WITHSTANDING VOLTAGE: 325 VRMS MIN AT 4 AND 7 MHz
- MECHANICAL:
  - INTERFACE DESIGN: IN ACCORDANCE WITH MIL-STD-348A, SERIES SMP
  - ENGAGEMENT FORCE: 15.0 LBS MAX (FULL DETENT)
  - DISENGAGEMENT FORCE: 5.0 LBS MIN (FULL DETENT)
  - CONTACT RETENTION: NOT APPLICABLE
  - CABLE ACCEPTABILITY: MIL-C-17/133, RG 405/U
  - CABLE RETENTION: 30 LBS MIN AXIAL FORCE
  - 16 IN-OUNCE MIN TORQUE
  - DURABILITY: 100 CYCLES MIN (FULL DETENT)
- ENVIRONMENTAL:
  - (MEETS OR EXCEEDS THE APPLICABLE PARAGRAPH OF DSCC DWG NO. 94007)
  - OPERATING TEMPERATURE: -65°C TO 165°C
  - THERMAL SHOCK: MIL-STD-202, METHOD 107, CONDITION B, EXCEPT 125°C HIGH TEMP
  - MECHANICAL SHOCK: MIL-STD-202, METHOD 213, CONDITION I
  - CORROSION: MIL-STD-202, METHOD 101, CONDITION B
  - VIBRATION: MIL-STD-202, METHOD 204, CONDITION D
  - MOISTURE RESISTANCE: MIL-STD-202, METHOD 106, EXCEPT STEP 7B OMITTED

CUSTOMER DRAWING

THIS DRAWING TO BE INTERPRETED  
PER ASME Y 14.5M - 1994

"μSTATION"

COMPANY CONFIDENTIAL

TOLERANCE UNLESS OTHERWISE SPECIFIED		DRAWN BY PAT	DATE 3-29-07	 <b>Cinch</b> CONNECTIVITY SOLUTIONS a bel group	Cinch Connectivity Solutions P.O. Box 1732 Waseca, MN 56093 1-800-247-8256	
DECIMALS	mm	CHECKED BY XXX	DATE X		TITLE SMP FEMALE, STRAIGHT CABLED, RG-405 (.086) SEMI-RIGID	
.XX	_____	APPROVED BY XXX	DATE X	SHEET 2 OF 2	DRAWING NO. C - 127-0693-001/010	
.XXX ± .005	_____	RELEASE DATE	X	U/M	INCH	SCALE 20:1
MATL	_____					
FINISH	_____					