



Chipsmall Limited consists of a professional team with an average of over 10 year of expertise in the distribution of electronic components. Based in Hongkong, we have already established firm and mutual-benefit business relationships with customers from,Europe,America and south Asia,supplying obsolete and hard-to-find components to meet their specific needs.

With the principle of "Quality Parts,Customers Priority,Honest Operation,and Considerate Service",our business mainly focus on the distribution of electronic components. Line cards we deal with include Microchip,ALPS,ROHM,Xilinx,Pulse,ON,Everlight and Freescale. Main products comprise IC,Modules,Potentiometer,IC Socket,Relay,Connector.Our parts cover such applications as commercial,industrial, and automotives areas.

We are looking forward to setting up business relationship with you and hope to provide you with the best service and solution. Let us make a better world for our industry!



## Contact us

Tel: +86-755-8981 8866 Fax: +86-755-8427 6832

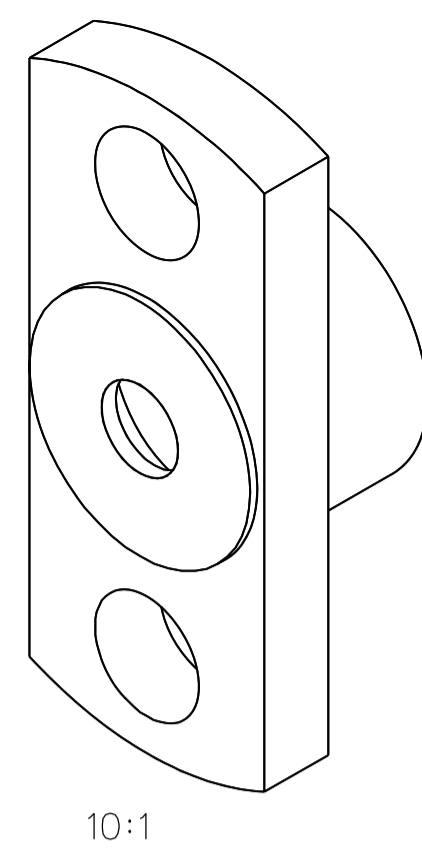
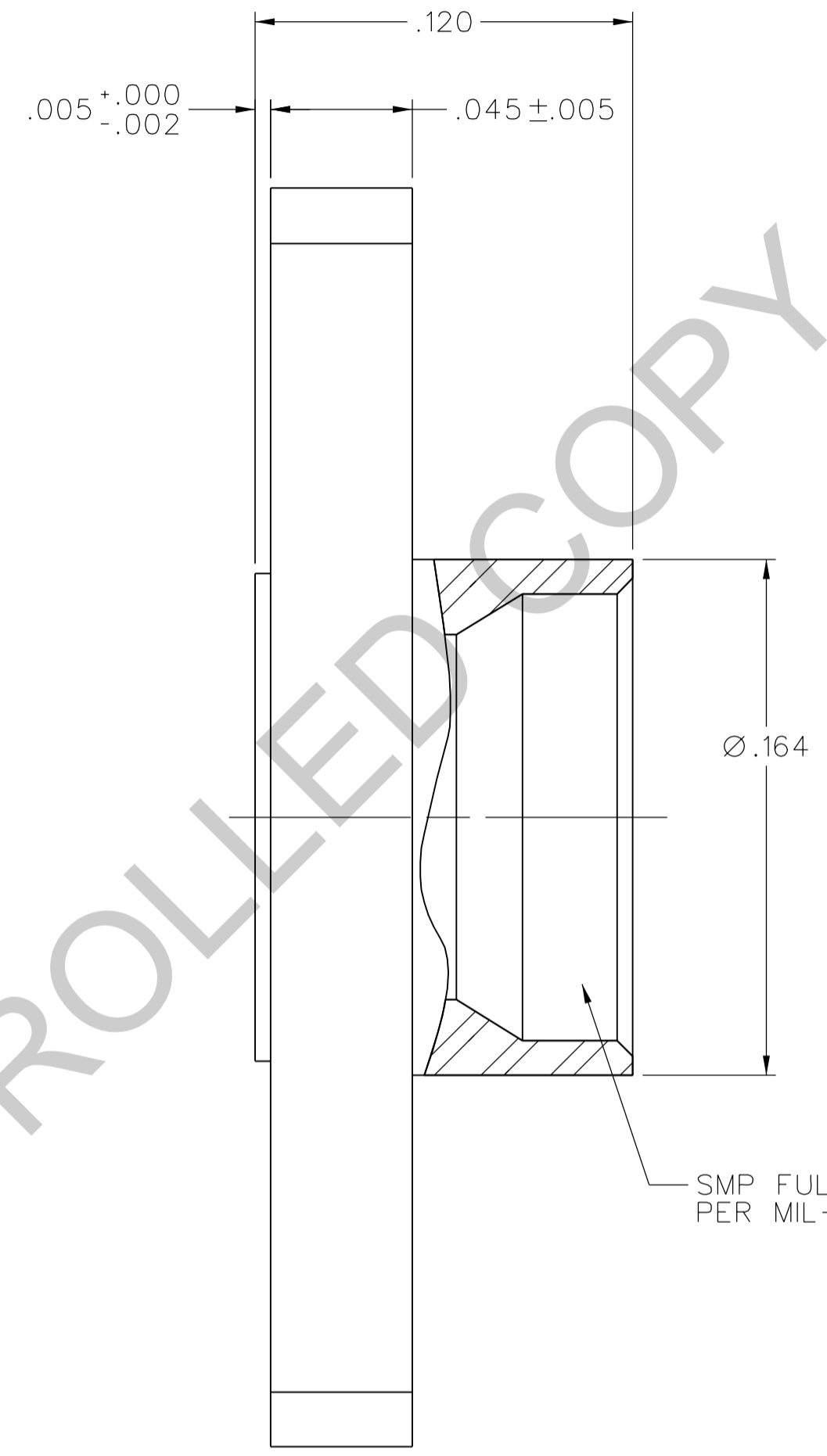
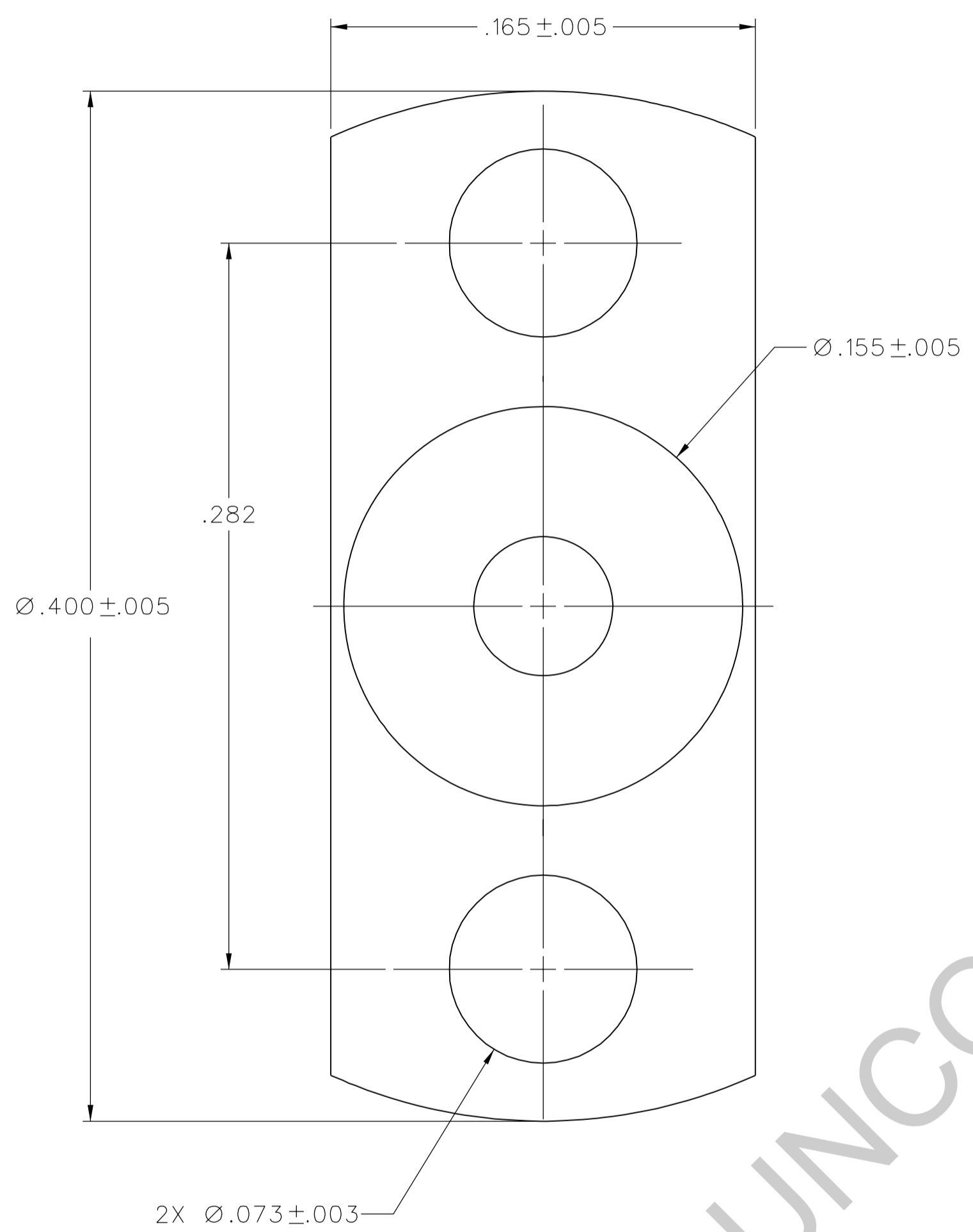
Email & Skype: info@chipsmall.com Web: www.chipsmall.com

Address: A1208, Overseas Decoration Building, #122 Zhenhua RD., Futian, Shenzhen, China



PART NUMBER	SHROUD MATERIAL
127-0701-602	STAINLESS STEEL PASSIVATED

DRAWING NO.		C - 127-0701-601/610	
0		REVISIONS	
ENGINEERING RELEASE			
1	1-10-07	PAT	2-17-07 ECN 50897
VERSION UPDATE			
*****			
* REVISION NUMBER FOLLOWED BY AN ALPHA *			
* CHARACTER INDICATES DRAWING CLARIFI-			
* CATION OR PART NUMBER ADDITION ONLY. *			
*****			
1a	11-12-07	PAT	11-13-07 ECN 51290



SMP FULL DETENT INTERFACE  
PER MIL-STD-348A

UNCONTROLLED COPY

NOTES:


- SPECIFICATIONS:
  - INTERFACE DIMENSIONS: IN ACCORDANCE WITH MIL-STD-348A, SERIES SMP, FULL DETENT
  - CONTACT RESISTANCE: INITIAL 2.0 MILLIOHM MAX, AFTER ENVIRONMENTAL NOT APPLICABLE
  - MECHANICAL:
    - ENGAGEMENT FORCE: 15 POUNDS MAX
    - DISENGAGEMENT FORCE: 5 POUNDS MIN
    - DURABILITY: 100 CYCLES MIN
  - ENVIRONMENTAL:
    - (MEETS OR EXCEEDS THE APPLICABLE PARAGRAPH OF DSCC DWG NO. 94007)
    - OPERATING TEMPERATURE: -65°C TO 165°C
    - THERMAL SHOCK: MIL-STD-202, METHOD 107, CONDITION B, EXCEPT 165°C HIGH TEMP
    - CORROSION: MIL-STD-202, METHOD 101, CONDITION B
    - VIBRATION, HIGH FREQUENCY: MIL-STD-202, METHOD 204, CONDITION D
    - VIBRATION, RANDOM: MIL-STD-202, METHOD 214, CONDITION F

CUSTOMER DRAWING

THIS DRAWING TO BE INTERPRETED  
PER ASME Y 14.5M - 1994

"μSTATION"

COMPANY CONFIDENTIAL

TOLERANCE UNLESS OTHERWISE SPECIFIED		DRAWN BY	DATE	 <b>Cinch</b> CONNECTIVITY SOLUTIONS a bel group	Cinch Connectivity Solutions P.O. Box 1732 Waseca, MN 56093 1-800-247-8256
DECIMALS	mm	PAT	11-30-06		
.XX	_____	CHECKED BY	DATE	TITLE	
.XXX	REF _____	PDW	2-16-07	SMP FULL DETENT FLANGE MOUNT SHROUD	
MATL	_____	APPROVED BY	DATE	SHEET	DRAWING NO.
FINISH	_____	JRK	2-16-07		
		RELEASE DATE	2-17-07		
		U/M INCH	SCALE 20:1		