



Chipsmall Limited consists of a professional team with an average of over 10 year of expertise in the distribution of electronic components. Based in Hongkong, we have already established firm and mutual-benefit business relationships with customers from,Europe,America and south Asia,supplying obsolete and hard-to-find components to meet their specific needs.

With the principle of “Quality Parts,Customers Priority,Honest Operation,and Considerate Service”,our business mainly focus on the distribution of electronic components. Line cards we deal with include Microchip,ALPS,ROHM,Xilinx,Pulse,ON,Everlight and Freescale. Main products comprise IC,Modules,Potentiometer,IC Socket,Relay,Connector.Our parts cover such applications as commercial,industrial, and automotives areas.

We are looking forward to setting up business relationship with you and hope to provide you with the best service and solution. Let us make a better world for our industry!



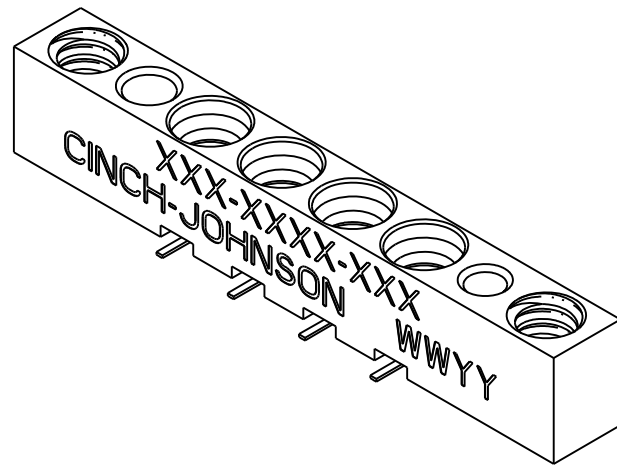
## Contact us

Tel: +86-755-8981 8866 Fax: +86-755-8427 6832

Email & Skype: info@chipsmall.com Web: www.chipsmall.com

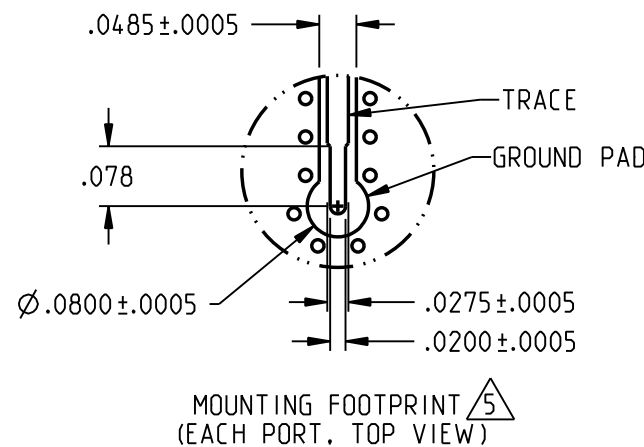
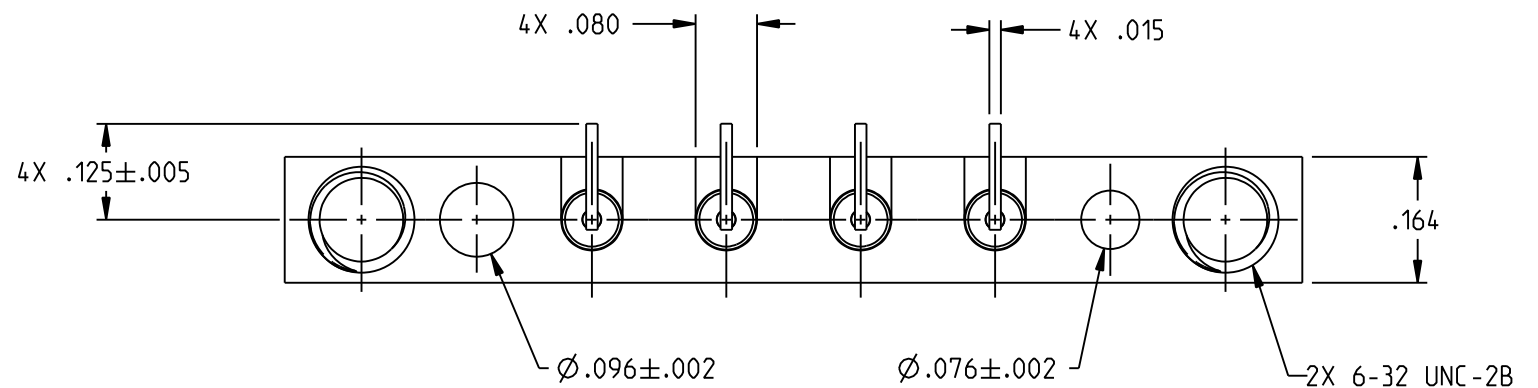
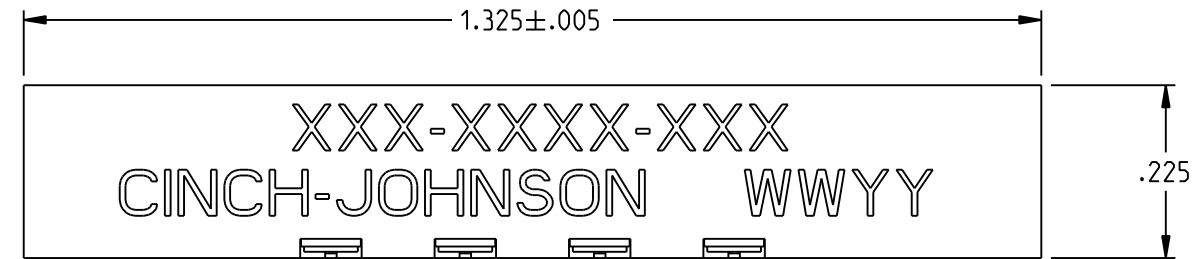
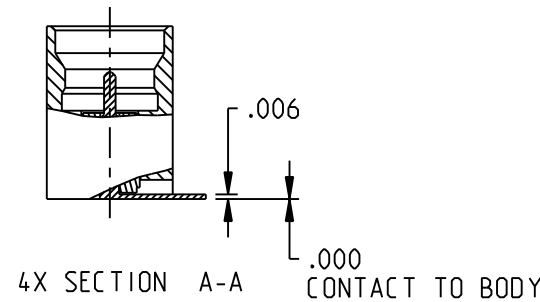
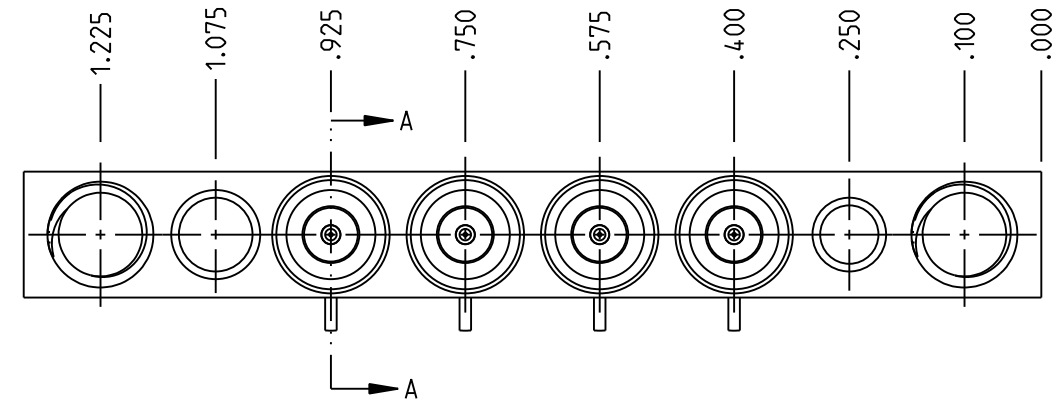
Address: A1208, Overseas Decoration Building, #122 Zhenhua RD., Futian, Shenzhen, China





NOTES: UNLESS OTHERWISE SPECIFIED.

1. MATERIAL & FINISH: (127-0711-221)
  - 1.1 BODY: GOLD PLATED BERYLLIUM COPPER
  - 1.2 CONTACTS: GOLD PLATED BERYLLIUM COPPER
  - 1.3 INSULATORS: PTFE (TEFLON)
2. ELECTRICAL SPECIFICATIONS:
  - 2.1 IMPEDANCE: 50 OHMS
  - 2.2 FREQUENCY RANGE: DC - 26.5 GHz
  - 2.3 VSWR: 1.25 MAX (0-18 GHz), 1.50 MAX (18-26.5 GHz)
  - 2.4 WORKING VOLTAGE: 335 VRMS MAX AT SEA LEVEL
  - 2.5 DIELECTRIC WITHSTANDING VOLTAGE: 500 VRMS MIN AT SEA LEVEL
  - 2.6 INSULATION RESISTANCE: 5000 MEGOHM MIN
  - 2.7 CONTACT RESISTANCE:
    - CENTER CONTACT: INITIAL 6.0 MILLIOHM MAX, AFTER ENVIRONMENTAL NOT APPLICABLE
    - OUTER CONDUCTOR: INITIAL 2.0 MILLIOHM MAX, AFTER ENVIRONMENTAL NOT APPLICABLE
  - 2.8 CORONA LEVEL: 190 VOLTS MIN AT 70,000 FEET
  - 2.9 RF HIGH POTENTIAL WITHSTANDING VOLTAGE: 325 VRMS MIN AT 4 & 7 MHz
3. MECHANICAL SPECIFICATIONS:
  - 3.1 INTERFACE DESIGN: IAW MIL-STD-348, FIG. 326-2, SERIES SMP, FULL DETENT
  - 3.2 ENGAGEMENT FORCE: 15 LBS MAX PER POSITION
  - 3.3 DISENGAGEMENT FORCE: 5 LBS MIN PER POSITION
  - 3.4 CONTACT RETENTION: 1.5 LBS MIN AXIAL
  - 3.5 DURABILITY: 100 CYCLES MIN
4. ENVIRONMENTAL:
  - 4.1 (MEETS OR EXCEEDS THE APPLICABLE PARAGRAPH OF DSCC DWG NO. 94007)
  - 4.2 OPERATING TEMPERATURE: -65°C TO 165°C
  - 4.3 THERMAL SHOCK: MIL-STD-202, METHOD 107, CONDITION B, EXCEPT 165°C HIGH TEMP
  - 4.4 MECHANICAL SHOCK: MIL-STD-202, METHOD 213, CONDITION I
  - 4.5 CORROSION: MIL-STD-202, METHOD 101, CONDITION B
  - 4.6 VIBRATION: MIL-STD-202, METHOD 204, CONDITION D
  - 4.7 MOISTURE RESISTANCE: MIL-STD-202, METHOD 106, EXCEPT STEP 7B OMITTED
5. REFERENCE DIMENSIONS FOR 50 OHM GROUNDED CPW LINE, USING ROGERS RO4003, 16 MIL HIGH FREQUENCY CIRCUIT BOARD SUBSTRATE:
  - 5.1 TRACE WIDTH = 27.5 MILS
  - 5.2 GROUND GAPS = 10.5 MILS
  - 5.3 CONDUCTOR THICKNESS = 1.4 MILS (INCLUDES PLATING)
  - 5.4 MAINTAIN SOLID GROUND PLANE BELOW HF SUBSTRATE.
  - 5.5 PLACE 16 MIL DIA. GROUND VIAS ON BOTH SIDES OF COPLANAR WAVEGUIDE LINE AT 50 MIL INTERVALS ALONG ENTIRE LENGTH.
  - 5.6 IMMERSION GOLD PLATE (ENIG) ALL CONDUCTORS PER IPC-4552.
  - 5.7 ALL HOLES PLATED THRU ENTIRE CIRCUIT BOARD STACKUP.
  - 5.8 HOLE PATTERNS SYMMETRICAL ABOUT CENTER OF CPW TRACE.
6. PACKAGING:
  - 6.1 127-0711-221: 1 PER BAG



	3RD ANGLE PROJECTION	JOHNSON	
	This PROPRIETARY Document is property of Cinch Connectivity Solutions. It is confidential in nature, non-transferable, and issued with the clear understanding that it is not to be traced or copied without permission and is returnable upon demand. INTERPRET DRAWING IN ACCORDANCE WITH ASME Y14.5-2009.	RoHS2 2011/65/EU	Title: ASSEMBLY, MALE, FD, VPC SURFACE MT, SMP, 4 POSITION Model No. 127-0711-221/230
UNLESS OTHERWISE SPECIFIED UNITS: INCH .XX ± .01 .XXX ± .003 .XXXX ± .0010 ANGLE ± 2° 00' CRITICAL	Size B DO NOT SCALE DRAWING	Date 11/13/15	Sheet 1 OF 1