



Chipsmall Limited consists of a professional team with an average of over 10 year of expertise in the distribution of electronic components. Based in Hongkong, we have already established firm and mutual-benefit business relationships with customers from,Europe,America and south Asia,supplying obsolete and hard-to-find components to meet their specific needs.

With the principle of “Quality Parts,Customers Priority,Honest Operation,and Considerate Service”,our business mainly focus on the distribution of electronic components. Line cards we deal with include Microchip,ALPS,ROHM,Xilinx,Pulse,ON,Everlight and Freescale. Main products comprise IC,Modules,Potentiometer,IC Socket,Relay,Connector.Our parts cover such applications as commercial,industrial, and automotives areas.

We are looking forward to setting up business relationship with you and hope to provide you with the best service and solution. Let us make a better world for our industry!



Contact us

Tel: +86-755-8981 8866 Fax: +86-755-8427 6832

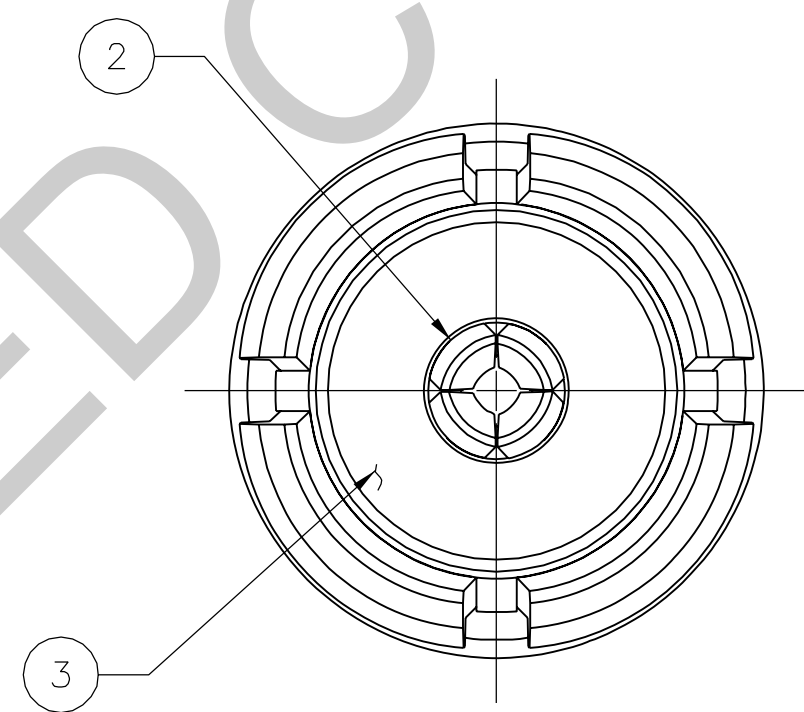
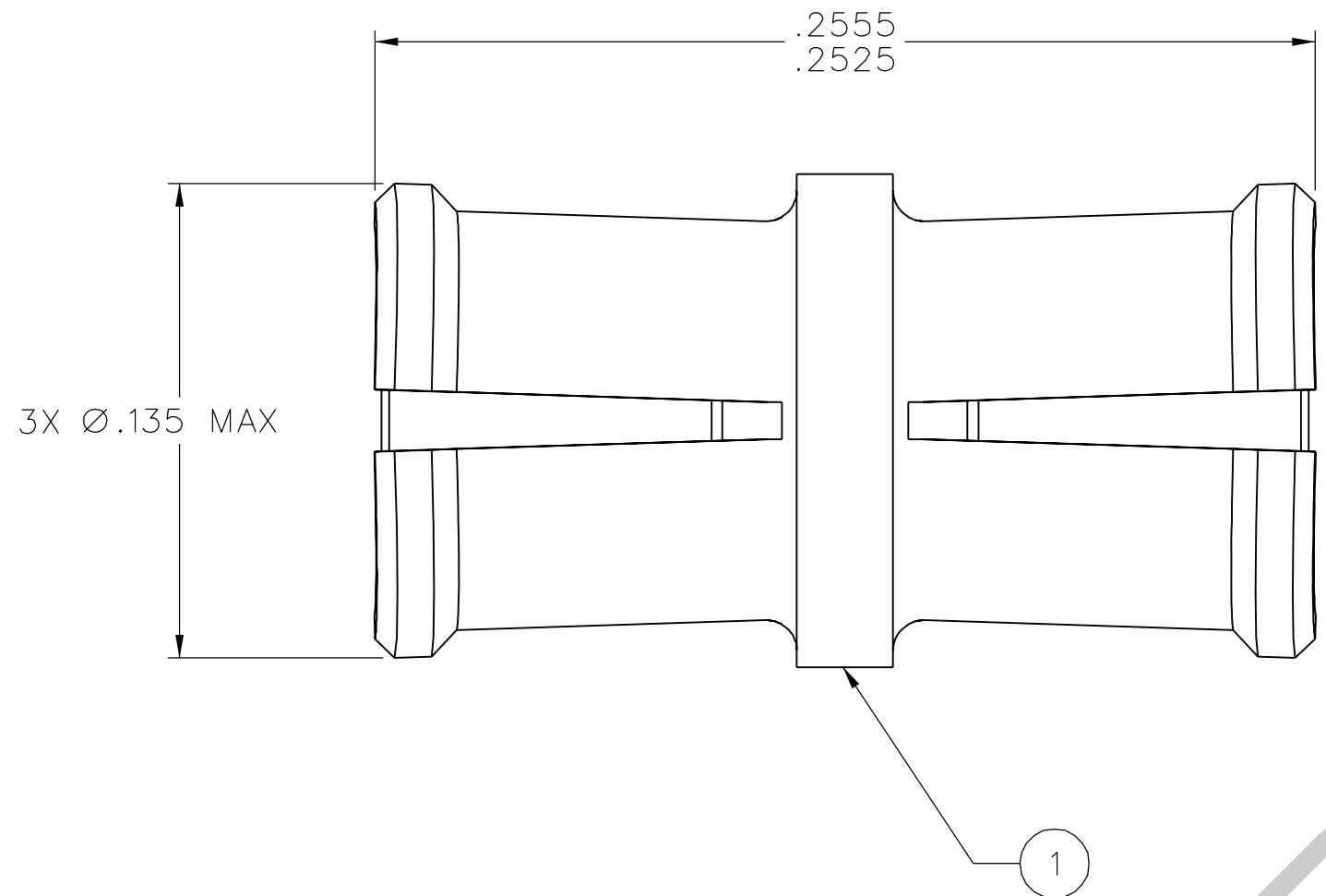
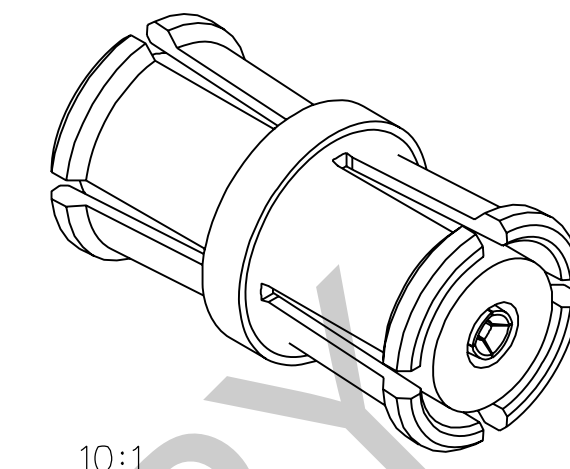
Email & Skype: info@chipsmall.com Web: www.chipsmall.com

Address: A1208, Overseas Decoration Building, #122 Zhenhua RD., Futian, Shenzhen, China



PART NUMBER	ITEM ① BODY	ITEM ② CONTACT	ITEM ③ INSULATOR
127-0901-801	BERYLLIUM COPPER GOLD PL .00005 MIN OVER NICKEL PL .00005 MIN OVER COPPER PL .00005 MIN	BERYLLIUM COPPER GOLD PL .00005 MIN OVER NICKEL PL .00005 MIN OVER COPPER PL .00005 MIN	TEFLON

DRAWING NO. C - 127-0901-801/810	
0	REVISIONS
ENGINEERING RELEASE	
1	5-25-07 PAT 5-29-07 JRD/JUN/ECN 51022



10:1

NOTES:

1. SPECIFICATIONS:

IMPEDENCE: 50 OHMS NOMINAL
 FREQUENCY RANGE: 0-40 GHz
 VSWR: 1.10 MAX (0-18 GHz)
 1.15 MAX (18-23 GHz)
 1.30 MAX (23-26.5 GHz)
 1.70 MAX (26.5-40 GHz)

WORKING VOLTAGE: 335 VRMS MAX AT SEA LEVEL
 DIELECTRIC WITHSTANDING VOLTAGE: 500 VRMS MIN AT SEA LEVEL
 INSULATION RESISTANCE: 5000 MEGOHM MIN
 CONTACT RESISTANCE:
 CENTER CONTACT - INITIAL 6.0 MILLIOHM MAX, AFTER ENVIRONMENTAL NOT APPLICABLE
 OUTER CONDUCTOR - INITIAL 2.0 MILLIOHM MAX, AFTER ENVIRONMENTAL NOT APPLICABLE

INSERTION LOSS: $0.10\sqrt{f}$ (GHz) dB MAX, TESTED AT 10 GHz
 CORONA LEVEL: 190 VOLTS MIN AT 70,000 FEET
 RF LEAKAGE: -65 dB TYPICAL, TESTED AT 2.5 GHz
 RF HIGH POTENTIAL WITHSTANDING VOLTAGE: 325 VRMS MIN AT 4 AND 7 MHz

MECHANICAL:

INTERFACE DESIGN: IN ACCORDANCE WITH MIL-STD-348A, SERIES SMP
 ENGAGEMENT FORCE: 15.0 LBS MAX (FULL DETENT)
 10.0 LBS MAX (LIMITED DETENT)
 2.0 LBS MAX (SMOOTH BORE)
 DISENGAGEMENT FORCE: 5.0 LBS MIN (FULL DETENT)
 2.0 LBS MIN (LIMITED DETENT)
 0.5 LBS MIN (SMOOTH BORE)
 CONTACT RETENTION: 1.5 LBS MIN AXIAL FORCE
 DURABILITY: 100 CYCLES MIN (FULL DETENT)
 500 CYCLES MIN (LIMITED DETENT)
 1000 CYCLES MIN (SMOOTH BORE)

ENVIRONMENTAL:


(MEETS OR EXCEEDS THE APPLICABLE PARAGRAPH OF DSCC DWG NO. 94007)
 OPERATING TEMPERATURE: -65°C TO 165°C
 THERMAL SHOCK: MIL-STD-202, METHOD 107, CONDITION B, EXCEPT 165°C HIGH TEMP
 MECHANICAL SHOCK: MIL-STD-202, METHOD 213, CONDITION I
 CORROSION: MIL-STD-202, METHOD 101, CONDITION B
 VIBRATION: MIL-STD-202, METHOD 204, CONDITION D
 MOISTURE RESISTANCE: MIL-STD-202, METHOD 106, EXCEPT STEP 7B OMITTED

CUSTOMER DRAWING

THIS DRAWING TO BE INTERPRETED PER ASME Y 14.5M - 1994

"μSTATION"

COMPANY CONFIDENTIAL

TOLERANCE UNLESS OTHERWISE SPECIFIED	DRAWN BY PAT	DATE 3-29-07	 Cinch <small>CONNECTIVITY SOLUTIONS</small> <small>a bel group</small>	Cinch Connectivity Solutions P.O. Box 1732 Waseca, MN 56093 1-800-247-8256
DECIMALS _____ mm	CHECKED BY JRK	DATE 5-25-07		TITLE SMP FEMALE/FEMALE BULLET ADAPTER
.XX _____	APPROVED BY PDW	DATE 5-25-07	SHEET 2 OF 2	DRAWING NO. C - 127-0901-801/810
.XXX REF _____	RELEASE DATE 5-29-07	SCALE 20:1		
MATL _____	U/M INCH			
FINISH _____				