



Chipsmall Limited consists of a professional team with an average of over 10 year of expertise in the distribution of electronic components. Based in Hongkong, we have already established firm and mutual-benefit business relationships with customers from,Europe,America and south Asia,supplying obsolete and hard-to-find components to meet their specific needs.

With the principle of “Quality Parts,Customers Priority,Honest Operation,and Considerate Service”,our business mainly focus on the distribution of electronic components. Line cards we deal with include Microchip,ALPS,ROHM,Xilinx,Pulse,ON,Everlight and Freescale. Main products comprise IC,Modules,Potentiometer,IC Socket,Relay,Connector.Our parts cover such applications as commercial,industrial, and automotives areas.

We are looking forward to setting up business relationship with you and hope to provide you with the best service and solution. Let us make a better world for our industry!



## Contact us

Tel: +86-755-8981 8866 Fax: +86-755-8427 6832

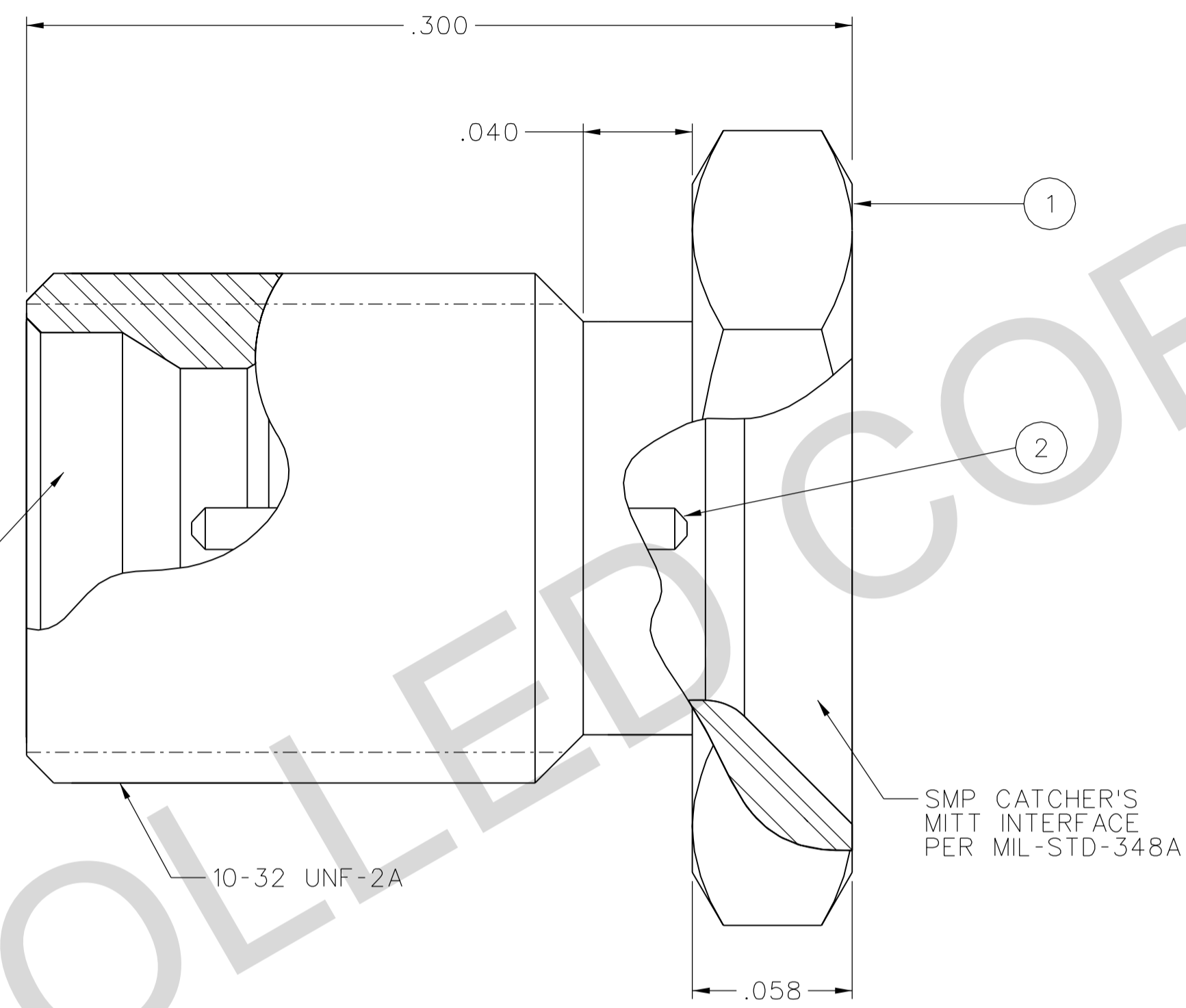
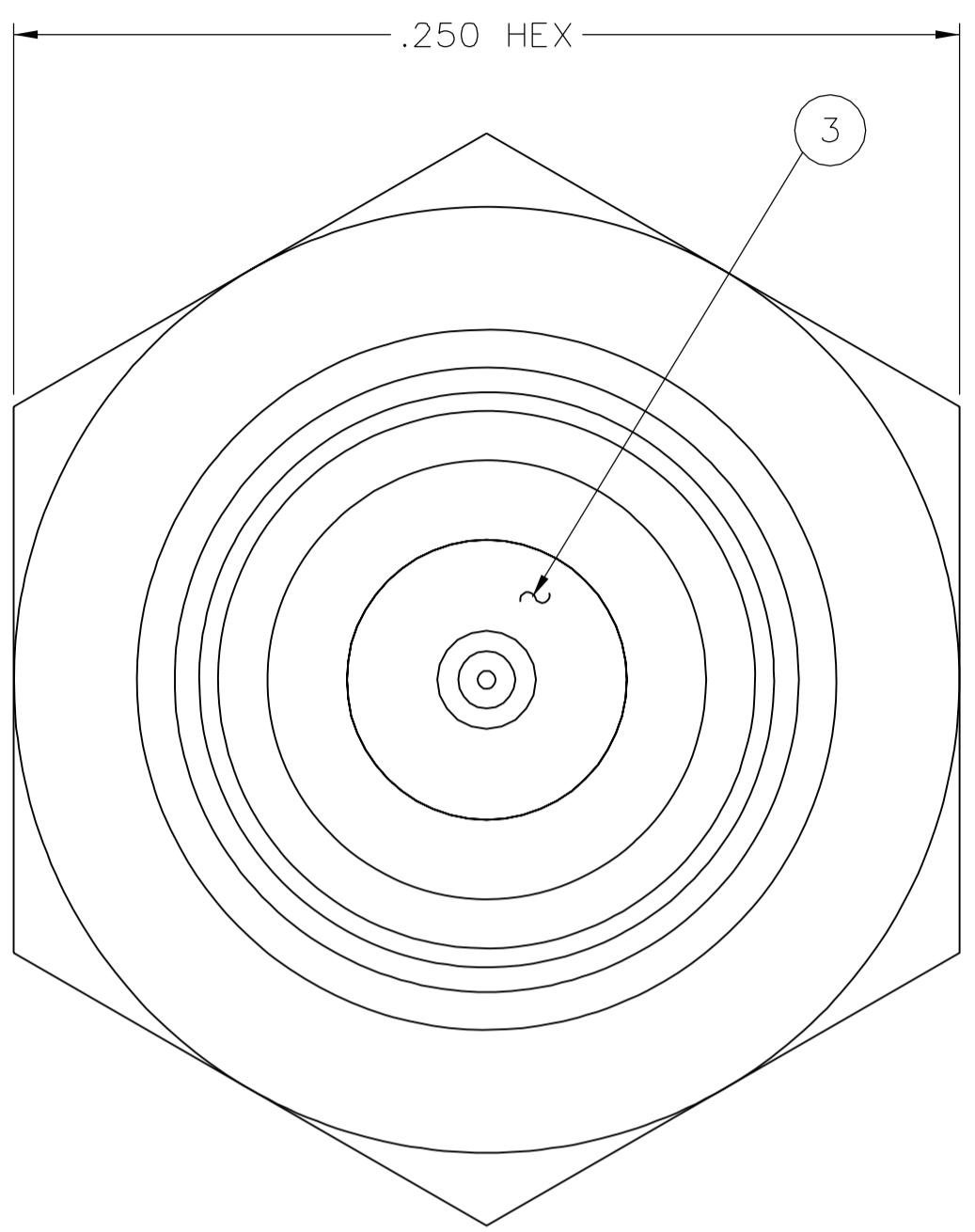
Email & Skype: info@chipsmall.com Web: www.chipsmall.com

Address: A1208, Overseas Decoration Building, #122 Zhenhua RD., Futian, Shenzhen, China



PART NUMBER 127-0901-822	ITEM ① BODY STAINLESS STEEL PASSIVATED	ITEM ② CONTACT BERYLLIUM COPPER GOLD PL .00005 MIN OVER NICKEL PL .00005 MIN OVER COPPER PL .00005 MIN	ITEM ③ INSULATOR TEFLON
-----------------------------	---	---	-------------------------------

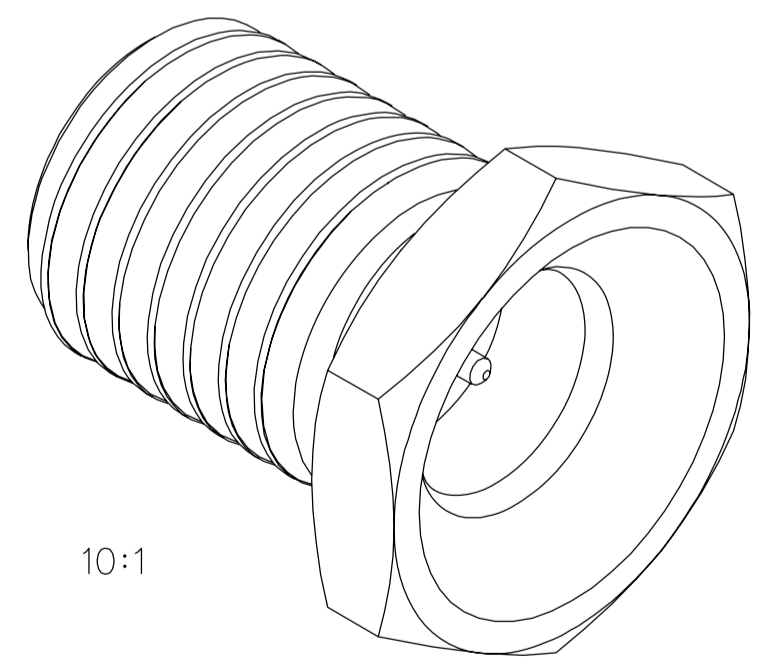
DRAWING NO. C - 127-0901-821/830	
0	REVISIONS
ENGINEERING RELEASE	
1	6-19-07 PAT JRK MJD PUL JCN 6-20-07 ECN 51086



SMP FULL DETENT  
INTERFACE  
PER MIL-STD-348A

SMP CATCHER'S  
MITT INTERFACE  
PER MIL-STD-348A

10-32 UNF-2A



NOTES:

- SPECIFICATIONS:
  - IMPEDENCE: 50 OHMS NOMINAL
  - FREQUENCY RANGE: 0-18 GHz
  - VSWR: 1.10 MAX AT 0-4 GHz  
1.15 MAX AT 4-12 GHz  
1.20 MAX AT 12-18 GHz
  - INSERTION LOSS:  $0.10\sqrt{F}$  (GHz) dB MAX, TESTED AT 10 GHz
  - WORKING VOLTAGE: 335 VRMS MAX AT SEA LEVEL
  - DIELECTRIC WITHSTANDING VOLTAGE: 500 VRMS MIN AT SEA LEVEL
  - INSULATION RESISTANCE: 5000 MEGOHM MIN
  - CONTACT RESISTANCE:
    - CENTER CONTACT - INITIAL 6.0 MILLIOHM MAX, AFTER ENVIRONMENTAL NOT APPLICABLE
    - OUTER CONDUCTOR - INITIAL 2.0 MILLIOHM MAX, AFTER ENVIRONMENTAL NOT APPLICABLE
  - CORONA LEVEL: 190 VOLTS MIN AT 70,000 FEET
  - RF HIGH POTENTIAL WITHSTANDING VOLTAGE: 325 VRMS MIN AT 4 AND 7 MHz
  - RF LEAKAGE: -65 dB TYPICAL, TESTED AT 2.5 GHz
- MECHANICAL:
  - CONTACT RETENTION: 1.5 LBS MIN AXIAL FORCE
  - FULL DETENT MATING INTERFACE
    - INTERFACE DESIGN: IN ACCORDANCE WITH MIL-STD-348A, SERIES SMP, FULL DETENT
    - ENGAGEMENT FORCE: 15.0 LBS MAX
    - DISENGAGEMENT FORCE: 5.0 LBS MIN
    - DURABILITY: 100 CYCLES MIN
  - CATCHER'S MITT MATING INTERFACE
    - INTERFACE DESIGN: IN ACCORDANCE WITH MIL-STD-348A, SERIES SMP, CATCHER'S MITT
    - ENGAGEMENT FORCE: 2.0 LBS MAX
    - DISENGAGEMENT FORCE: 0.5 LBS MIN
    - DURABILITY: 1000 CYCLES MIN
- ENVIRONMENTAL:
  - (MEETS OR EXCEEDS THE APPLICABLE PARAGRAPH OF DSCC DWG NO. 94007)
  - OPERATING TEMPERATURE: -65°C TO 165°C
  - THERMAL SHOCK: MIL-STD-202, METHOD 107, CONDITION B, EXCEPT 165°C HIGH TEMP
  - MECHANICAL SHOCK: MIL-STD-202, METHOD 213, CONDITION I
  - CORROSION: MIL-STD-202, METHOD 101, CONDITION B
  - VIBRATION: MIL-STD-202, METHOD 204, CONDITION D
  - MOISTURE RESISTANCE: MIL-STD-202, METHOD 106, EXCEPT STEP 7B OMITTED

CUSTOMER DRAWING

THIS DRAWING TO BE INTERPRETED  
PER ASME Y 14.5M - 1994

"μSTATION"

COMPANY CONFIDENTIAL

TOLERANCE UNLESS OTHERWISE SPECIFIED		DRAWN BY PAT	DATE 5/9/07	<b>Connectivity Solutions</b> P.O. Box 1732 Waseca, MN 56093 1-800-247-8256
DECIMALS	mm	CHECKED BY JRK	DATE 6-19-07	
.XX	_____	APPROVED BY PDW	DATE 6-20-07	TITLE SMP ADAPTER FULL DETENT TO CATCHER'S MITT
.XXX REF	_____	RELEASE DATE	6-20-07	SHEET 2 OF 2
MATL	_____	U/M	INCH	DRAWING NO. C - 127-0901-821/830
FINISH	_____	SCALE	20:1	