



Chipsmall Limited consists of a professional team with an average of over 10 year of expertise in the distribution of electronic components. Based in Hongkong, we have already established firm and mutual-benefit business relationships with customers from,Europe,America and south Asia,supplying obsolete and hard-to-find components to meet their specific needs.

With the principle of "Quality Parts,Customers Priority,Honest Operation,and Considerate Service",our business mainly focus on the distribution of electronic components. Line cards we deal with include Microchip,ALPS,ROHM,Xilinx,Pulse,ON,Everlight and Freescale. Main products comprise IC,Modules,Potentiometer,IC Socket,Relay,Connector.Our parts cover such applications as commercial,industrial, and automotives areas.

We are looking forward to setting up business relationship with you and hope to provide you with the best service and solution. Let us make a better world for our industry!



## Contact us

Tel: +86-755-8981 8866 Fax: +86-755-8427 6832

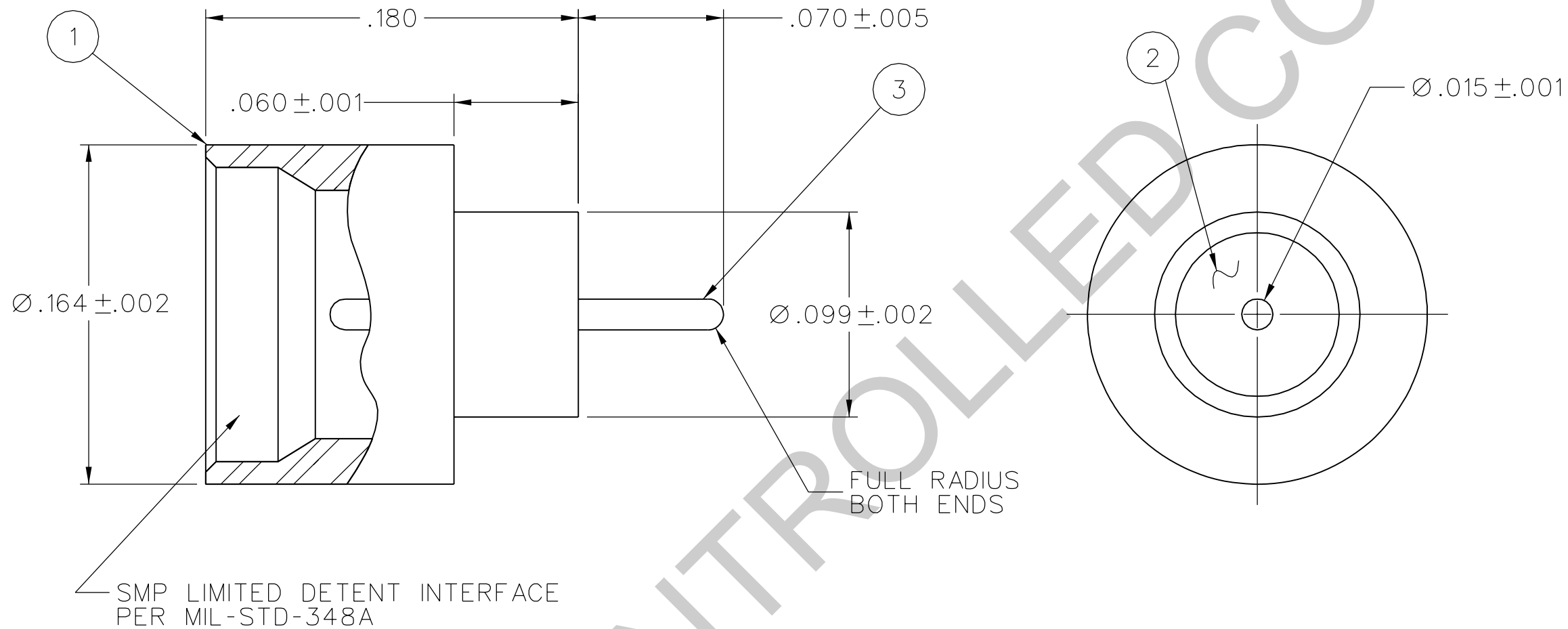
Email & Skype: info@chipsmall.com Web: www.chipsmall.com

Address: A1208, Overseas Decoration Building, #122 Zhenhua RD., Futian, Shenzhen, China



PART NUMBER	ITEM ① SHROUD BODY	ITEM ② INSULATOR	ITEM ③ PIN
127-1711-601	KOVAR GOLD PL .00005 MIN OVER NICKEL PL	GLASS, CORNING 7070 OR EQUIVALENT	KOVAR GOLD PL .00005 MIN OVER NICKEL PL

DRAWING NO. B-127-1711-601/610	
0	REVISIONS
ENGINEERING RELEASE	
1	1-4-07 PAT JRC JCN 1-18-07 ECN 50861



CUSTOMER DRAWING

THIS DRAWING TO BE INTERPRETED  
PER ASME Y 14.5M - 1994

"μSTATION"

COMPANY CONFIDENTIAL

NOTES:

1. SPECIFICATIONS:

ELECTRICAL:

IMPEDANCE: 50 OHMS NOMINAL  
FREQUENCY RANGE: DC TO 18 GHZ  
VSWR: DEPENDANT ON APPLICATION

ENVIRONMENTAL:

HERMETICITY:  $1 \times 10^{-8}$  cc/sec AT ONE ATMOSPHERE  
SOLDERABILITY: MEETS REQUIREMENTS OF MIL-STD-202G, TEST METHOD 208H.  
OPERATING TEMPERATURE: -55 DEG C TO +165 DEG C

TOLERANCE UNLESS OTHERWISE SPECIFIED		DRAWN BY PAT	DATE 11-21-06
DECIMALS	mm	CHECKED BY JRK	DATE 1-18-07
.XX	_____	APPROVED BY JCN	DATE 1-18-07
.XXX ±.003	_____	RELEASE DATE	1-18-07
MATL	_____	U/M	INCH
FINISH	_____	SCALE	15:1



Cinch Connectivity Solutions  
P.O. Box 1732  
Waseca, MN 56093  
1-800-247-8256

TITLE  
SMP LIMITED DETENT  
STRAIGHT FEEDTHRU SHROUD  
HERMETIC SEALED PIN CONTACT

SHEET  
2 OF 2

DRAWING NO.  
B-127-1711-601/610