



Chipsmall Limited consists of a professional team with an average of over 10 year of expertise in the distribution of electronic components. Based in Hongkong, we have already established firm and mutual-benefit business relationships with customers from,Europe,America and south Asia,supplying obsolete and hard-to-find components to meet their specific needs.

With the principle of “Quality Parts,Customers Priority,Honest Operation,and Considerate Service”,our business mainly focus on the distribution of electronic components. Line cards we deal with include Microchip,ALPS,ROHM,Xilinx,Pulse,ON,Everlight and Freescale. Main products comprise IC,Modules,Potentiometer,IC Socket,Relay,Connector.Our parts cover such applications as commercial,industrial, and automotives areas.

We are looking forward to setting up business relationship with you and hope to provide you with the best service and solution. Let us make a better world for our industry!



## Contact us

Tel: +86-755-8981 8866 Fax: +86-755-8427 6832

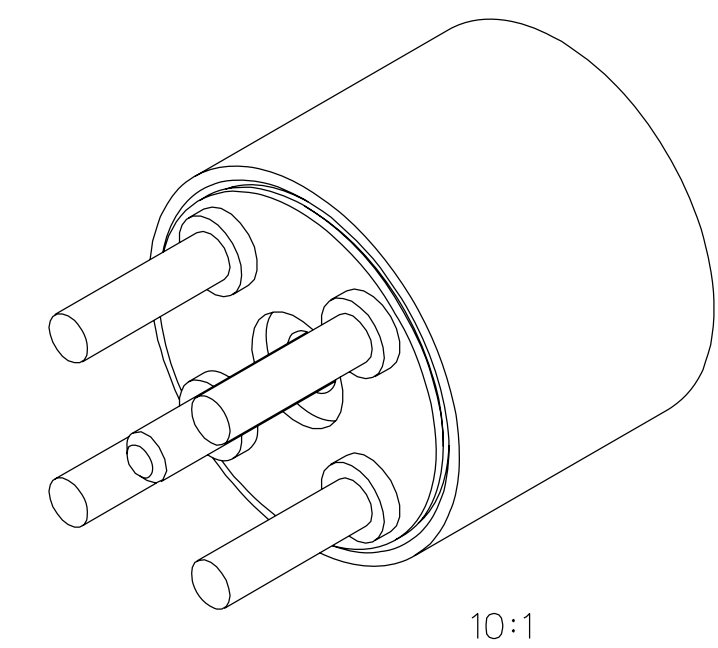
Email & Skype: info@chipsmall.com Web: www.chipsmall.com

Address: A1208, Overseas Decoration Building, #122 Zhenhua RD., Futian, Shenzhen, China

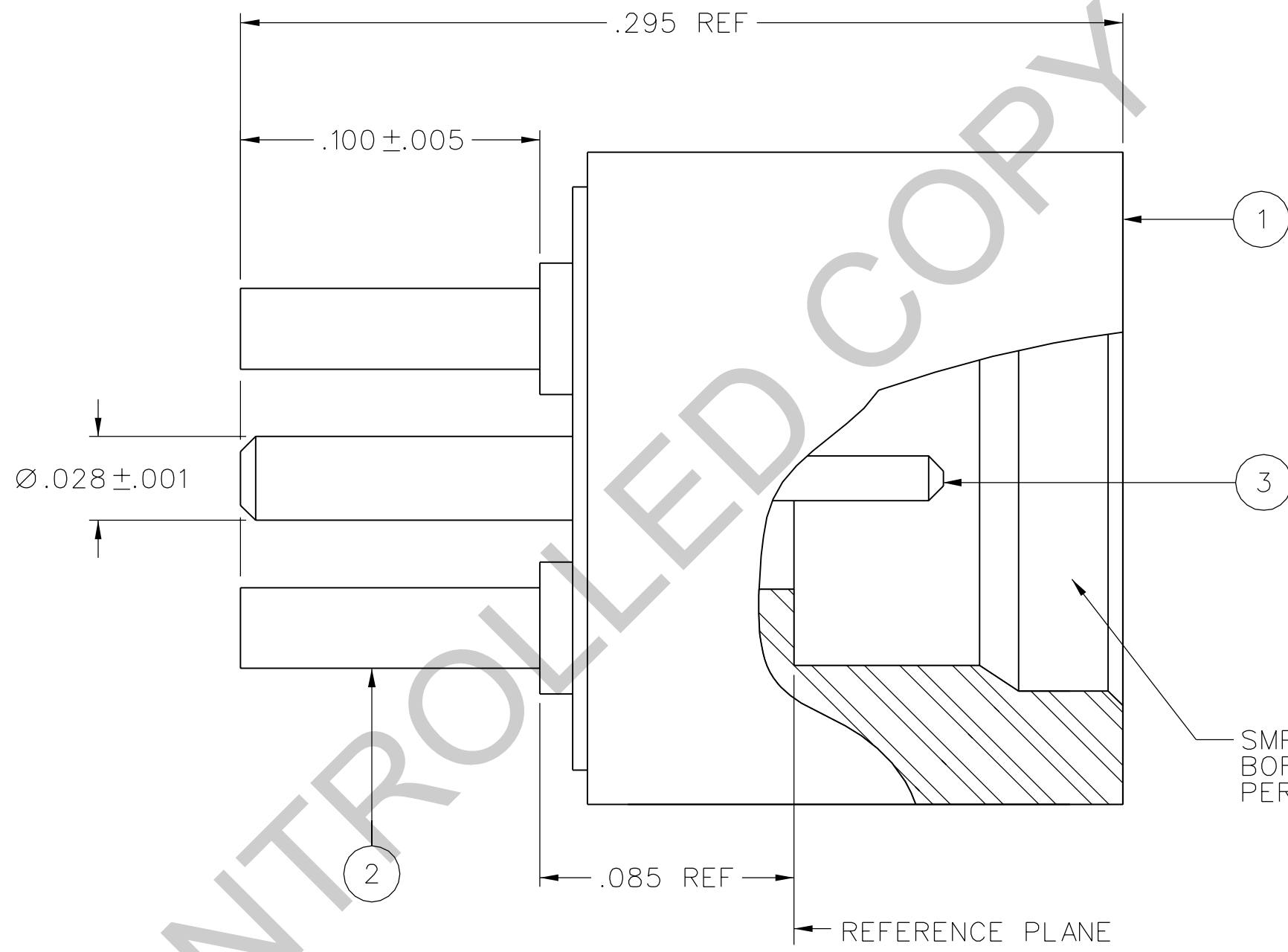
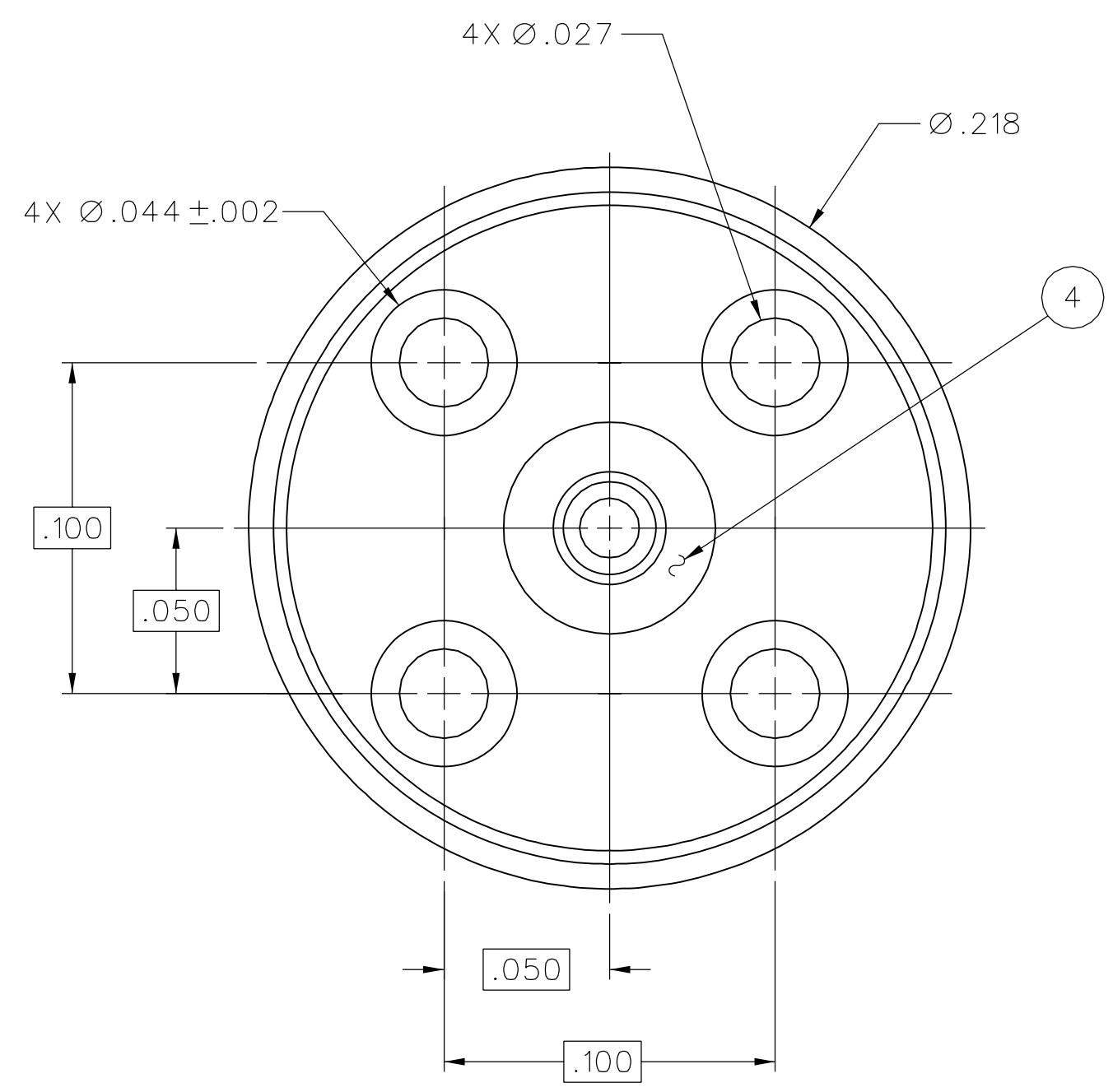


|                             |   |   |   |                               |
|-----------------------------|---|---|---|-------------------------------|
| PART NUMBER<br>142-2701-201 | ITEM ①<br>BODY<br>STAINLESS STEEL<br>PASSIVATED | ITEM ②<br>BASE<br>BRASS<br>GOLD PL .00003 MIN OVER<br>NICKEL PL .00005 MIN OVER<br>COPPER PL .00005 MIN | ITEM ③<br>CONTACT<br>BERYLLIUM COPPER<br>GOLD PL .00005 MIN OVER<br>NICKEL PL .00005 MIN OVER<br>COPPER PL .00005 MIN | ITEM ④<br>INSULATOR<br>TEFLON |
|-----------------------------|---|---|---|-------------------------------|

|                                     |   |
|-------------------------------------|---|
| DRAWING NO.<br>C - 127-2701-201/210 |   |
| 0                                   | REVISIONS   |
| ENGINEERING RELEASE                 |   |
| 1                                   | 6-11-07 PAT<br>JRK<br>MJD<br>PJC<br>JCN<br>6-12-07<br>ECN 51067 |



10:1



NOTES:

1. SPECIFICATIONS:

IMPEDENCE: 50 OHMS NOMINAL  
 FREQUENCY RANGE: 0-12 GHz  
 VSWR: DEPENDANT ON APPLICATION  
 WORKING VOLTAGE: 335 VRMS MAX AT SEA LEVEL  
 DIELECTRIC WITHSTANDING VOLTAGE: 500 VRMS MIN AT SEA LEVEL  
 INSULATION RESISTANCE: 5000 MEGOHM MIN  
 CONTACT RESISTANCE:  
 CENTER CONTACT - INITIAL 6.0 MILLIOHM MAX, AFTER ENVIRONMENTAL NOT APPLICABLE  
 OUTER CONDUCTOR - INITIAL 2.0 MILLIOHM MAX, AFTER ENVIRONMENTAL NOT APPLICABLE

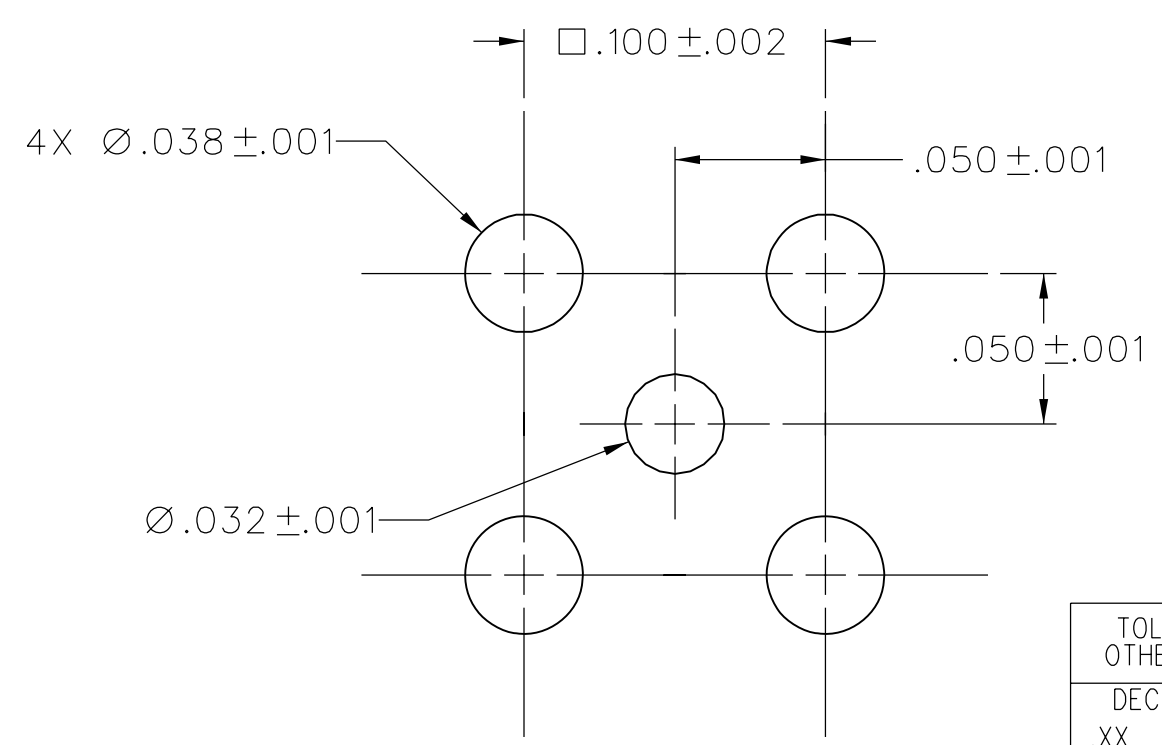
CORONA LEVEL: 190 VOLTS MIN AT 70,000 FEET  
 RF HIGH POTENTIAL WITHSTANDING VOLTAGE: 325 VRMS MIN AT 4 AND 7 MHz

MECHANICAL:

INTERFACE DESIGN: IN ACCORDANCE WITH MIL-STD-348A, SERIES SMP, SMOOTH BORE  
 ENGAGEMENT FORCE: 2 LBS MAX  
 DISENGAGEMENT FORCE: 0.5 LBS MIN  
 CONTACT RETENTION: 1.5 LBS MIN AXIAL FORCE  
 DURABILITY: 1000 CYCLES MIN

ENVIRONMENTAL:

(MEETS OR EXCEEDS THE APPLICABLE PARAGRAPH OF DSCC DWG NO. 94007)  
 OPERATING TEMPERATURE: -65°C TO 165°C  
 THERMAL SHOCK: MIL-STD-202, METHOD 107, CONDITION B, EXCEPT 165°C HIGH TEMP  
 MECHANICAL SHOCK: MIL-STD-202, METHOD 213, CONDITION I  
 CORROSION: MIL-STD-202, METHOD 101, CONDITION B  
 VIBRATION: MIL-STD-202, METHOD 204, CONDITION D  
 MOISTURE RESISTANCE: MIL-STD-202, METHOD 106, EXCEPT STEP 7B OMITTED




MOUNTING HOLE LAYOUT  
15:1

CUSTOMER DRAWING

THIS DRAWING TO BE INTERPRETED PER ASME Y 14.5M - 1994

"μSTATION"

COMPANY CONFIDENTIAL

|                                      |       |                    |                 |   |   |  |
|--------------------------------------|-------|--------------------|-----------------|---|---|--|
| TOLERANCE UNLESS OTHERWISE SPECIFIED |       | DRAWN BY<br>PAT    | DATE<br>6-7-07  |  <b>Cinch</b><br>CONNECTIVITY SOLUTIONS<br>a bel group | Cinch Connectivity Solutions<br>P.O. Box 1732<br>Waseca, MN 56093<br>1-800-247-8256 |  |
| DECIMALS                             | mm    | CHECKED BY<br>JRK  | DATE<br>6-11-07 |   | TITLE<br>SMP, SMOOTH BORE<br>STRAIGHT PC MOUNT                                      |  |
| .XX                                  | _____ | APPROVED BY<br>PDW | DATE<br>6-11-07 | SHEET<br>2 OF 2   |   |  |
| .XXX ±.003                           | _____ | RELEASE DATE       | 6-12-07         | DRAWING NO.<br>C - 127-2701-201/210   |   |  |
| MATL                                 | _____ | U/M                | INCH            | SCALE   | 20:1  |  |
| FINISH                               | _____ |                    |                 |   |   |  |