



Chipsmall Limited consists of a professional team with an average of over 10 year of expertise in the distribution of electronic components. Based in Hongkong, we have already established firm and mutual-benefit business relationships with customers from,Europe,America and south Asia,supplying obsolete and hard-to-find components to meet their specific needs.

With the principle of "Quality Parts,Customers Priority,Honest Operation,and Considerate Service",our business mainly focus on the distribution of electronic components. Line cards we deal with include Microchip,ALPS,ROHM,Xilinx,Pulse,ON,Everlight and Freescale. Main products comprise IC,Modules,Potentiometer,IC Socket,Relay,Connector.Our parts cover such applications as commercial,industrial, and automotives areas.

We are looking forward to setting up business relationship with you and hope to provide you with the best service and solution. Let us make a better world for our industry!



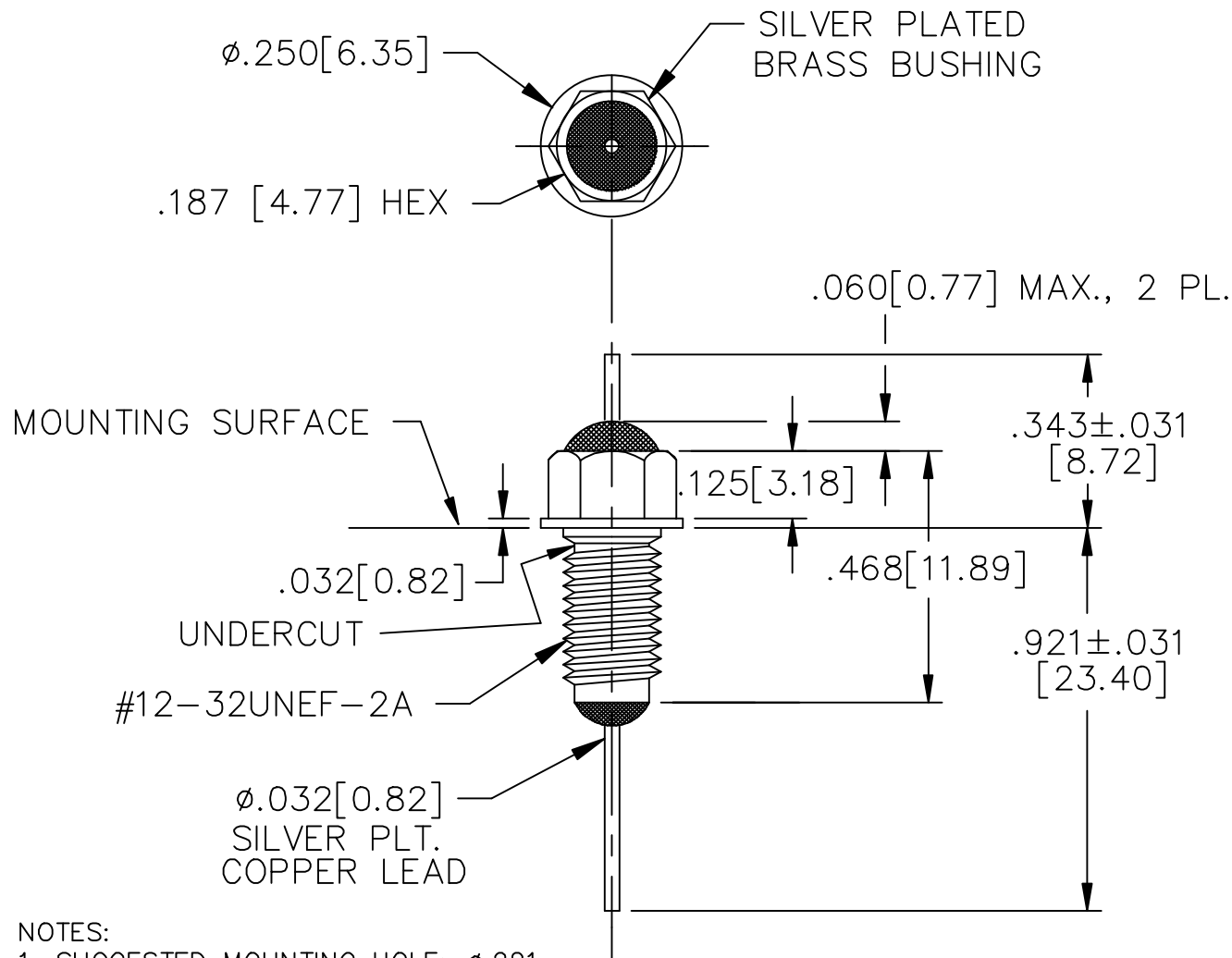
Contact us

Tel: +86-755-8981 8866 Fax: +86-755-8427 6832

Email & Skype: info@chipsmall.com Web: www.chipsmall.com

Address: A1208, Overseas Decoration Building, #122 Zhenhua RD., Futian, Shenzhen, China





NOTES:

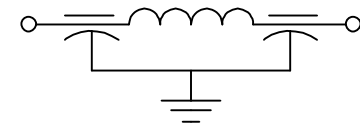
1. SUGGESTED MOUNTING HOLE: ø.221
2. MAY BE SUPPLIED WITH CONICAL TIPS.
3. HARDWARE IS INCLUDED

CAPACITANCE	3000 pF MIN.
TEMP. RANGE	-55°C TO +125°C
CURRENT	10 AMPS
WORKING VOLTAGE	85°C -- VDC 125°C 200 VDC
DC RESISTANCE	.01 OHMS MAX.

IL=PER MIL-STD-220, NO LOAD

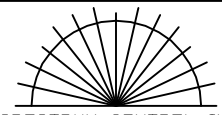
FREQ. MHz	I.L. (db)
10	5
50	--
100	45
1 GHz	70
10 GHz	70

SCHEMATIC



CAPACITANCE

PART: SCI-1270-009
 BAG:
 1270-009
 DATE CODE
 QTY./BAG (200 MAX.)

	4	3	2	REV. NO.	TOLERANCES UNLESS OTHERWISE SPECIFIED	 SPECTRUM CONTROL INC. ERIE, FAIRVIEW PENNSYLVANIA	
	CN 202457 REDRAWN	CN 200614	CN 184990 REDRAWN	CHANGE NOTICE	Fractions ± 1/64		Dwn. KRDZALIC
					Dec. .xx±		Ckd. 7/11/01
					Dec. .xxx± .010		Description
					Angles ±0° 30'		FILTER SING, PI, BSHG.
					CODE IDENT. NO. DLSP2	Scale NONE	1270-009