



Chipsmall Limited consists of a professional team with an average of over 10 year of expertise in the distribution of electronic components. Based in Hongkong, we have already established firm and mutual-benefit business relationships with customers from,Europe,America and south Asia,supplying obsolete and hard-to-find components to meet their specific needs.

With the principle of “Quality Parts,Customers Priority,Honest Operation,and Considerate Service”,our business mainly focus on the distribution of electronic components. Line cards we deal with include Microchip,ALPS,ROHM,Xilinx,Pulse,ON,Everlight and Freescale. Main products comprise IC,Modules,Potentiometer,IC Socket,Relay,Connector.Our parts cover such applications as commercial,industrial, and automotives areas.

We are looking forward to setting up business relationship with you and hope to provide you with the best service and solution. Let us make a better world for our industry!



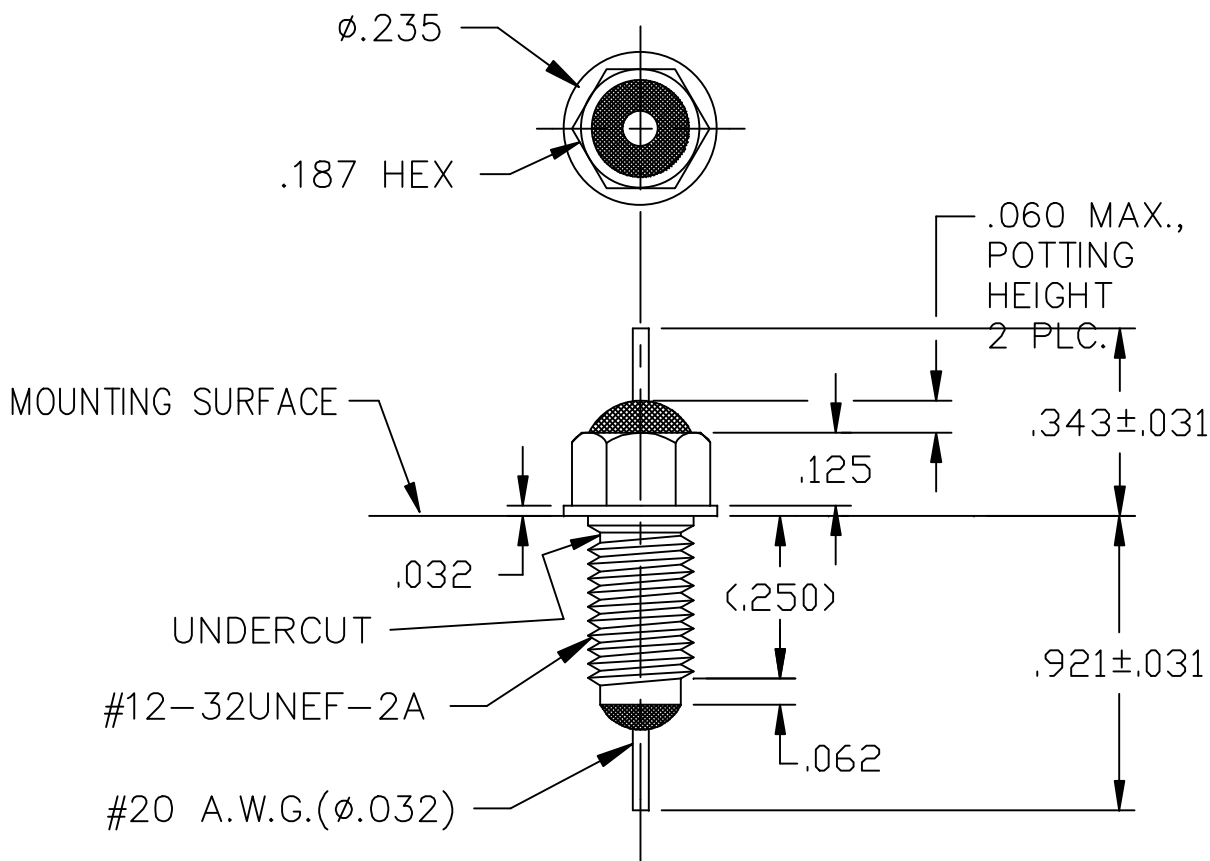
Contact us

Tel: +86-755-8981 8866 Fax: +86-755-8427 6832

Email & Skype: info@chipsmall.com Web: www.chipsmall.com

Address: A1208, Overseas Decoration Building, #122 Zhenhua RD., Futian, Shenzhen, China



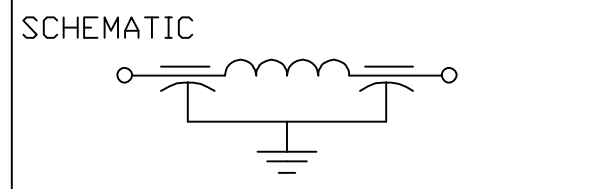


07

BUSHING FINISH:	SILVER
LEAD FINISH:	SILVER
CAPACITANCE	3000pF MIN.
TEMP. RANGE	-55°C TO +125°C
CURRENT	10 AMPS
WORKING VOLTAGE	85°C 350 VDC 125°C 200 VDC
DC RESISTANCE	.01 OHMS MAX.

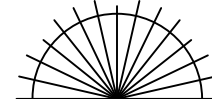
IL=PER MIL-STD-220, NO LOAD

FREQ. MHz	I.L. (db)
10	5
50	N/A
100	45
1 GHz	70
10 GHz	70



MARKING:
 PART: S1270024
 BAG: SCI 1270-024
 DATE CODE
 LOT NO.
 QTY./BAG (100 MAX.)

SUGGESTED MOUNTING HOLE: ϕ .221
 HARDWARE IS INCLUDED

	7	6	5	4	3	2	1	0	REV. NO.	TOLERANCES UNLESS OTHERWISE SPECIFIED	 SPECTRUM CONTROL INC. FAIRVIEW PENNSYLVANIA		
	CN 27391-CPD	CN 17644-CPD	CN 171919	CN 154610	CN 153682	CN 150170	CN 148903	CN 148013	CHANGE NOTICE	Fractions $\pm 1/64$		Dwn. D.HUMPHREYS	Description
										Dec. .xx \pm		Date 6-2-06	FILTER SING, PI, BSHG.
										Dec. .xxx \pm .010		Engr. STRUCHEN	1270-024
										Angles $\pm 0^{\circ} 30'$		Scale NONE	
										CODE IDENT. NO. DLSP2			

